

Grundfos Pumps and Repair Parts



Table of Contents

Description	Page
Alpha 2 Pumps	2
UP Series Pumps and Repair Parts	
UP15-42	3
UP26-64	4
UP26-96	5
UP26-99	6
UP26-116	7
UP43-75	8
UP43-110	9
UP50-75	10
UP53-45	11
UP53-46	12
UPS Series Pumps & Repair Parts	
UPS15-35	14
UPS15-42	15
UPS15-55	16
UPS15-58	17
UPS26-99	18
UPS26-150	19
UPS32-40	20
UPS32-80/2	21
UPS32-160/2	22
UPS40-40/4	23
UPS40-80/4	24
UPS40-80/2	25
UPS40-160	26
UPS40-240	27
UPS50-40/4	28

Description	Page
UPS Series Pumps & Repair Parts <i>continued</i>	
UPS50-80/4	29
UPS50-80/2	30
UPS50-160/2	31
UPS50-240/2	32
UPS53-55/57	33
UPS75-69	34
UPS80-40/4	35
UPS80-80/4	36
UPS80-160/2	37
UPS100-40/4	38
Replacement Pump Heads & Terminal Boxes	
Pump Heads for UPS32 to UPS100	39
Terminal boxes & Capacitors	39
CR Series Centrifugal Pumps & Parts	
CR-1s	42-43
CR-1	44-45
CR-3	46-47
CR-5	48-49
CR-10	50-51
CR-15	52-53
CR-20	54-55
CR-32	56-57
CR-45	58-59
CR-64	60-61
CR-90	62-63
CR-120	64-65
CR-150	66-67
Replacement Motors for CR pumps	68

Same-Day Shipping: Call 800.772.2099 or visit www.StateSupply.com

Grundfos ALPHA2 UP15 Pumps, ECM Multi-Speed Motor



Standard flange connection. Rotated flange is 90° of that shown.

Features:

- Self-lubricating, 6-speed selection and self-sensing auto function.
- 60 Hz, ECM motors reduce energy consumption up to 85%
- 1/16 HP motors, multi-speed select or auto: 115V, single phase
- Supplied with standard module in the terminal box.
- Choose cast iron (heating) or stainless steel (potable water) bodies.



Flange Set
See table below.

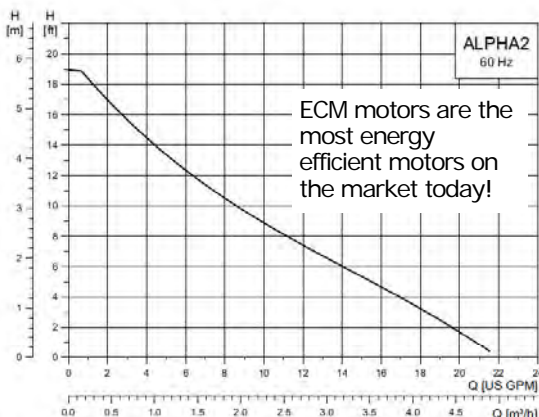
Pump comes with replacement flange gaskets:

Additional flange sets (Flanges, gaskets and bolt kit) available.

Cast Iron Model No.	Stainless Steel Model No.	Flange Conn.	Electrical Connection	Ship Wgt, lbs.	Order No. Cast Iron	Ship Wgt, lbs.	Order No. Stainless	
15-55F	15-55SF	Standard	Hardwire	7.2	GN1205	6.1	GN1225	
15-55F/LC	15-55SF/LC	Standard	Plug-in	7.5	GN1210	6.3	GN1230	
15-55FR	—	Rotated	Hardwire	7.1	GN1215	—	—	
15-55FR/LC	—	Rotated	Plug-in	7.3	GN1220	—	—	
GF15/26 Flange Set: Includes all the flanges, nuts, bolts and gaskets to install one pump. GF15/26 Flange Gasket Only: 1 ea., GN2105				¾" NPT	2.3	GN2040	2.1	* GN2060
				1" NPT	2.3	GN2045	2.1	* GN2065
				1¼" NPT	2.2	GN2050	2.1	* GN2070
				1½" NPT	2.2	GN2055	—	—

*Bronze flanges

ALPHA2 15-55 Specifications, ECM Motors



ALPHA APPROXIMATE POWER USAGE

Speed setting	Min.	Max.
High fixed speed	39W	45W
Medium fixed speed	15W	30W
Low fixed speed	5W	8W
Constant pressure	8W	45W
Constant pressure	14W	45W
Constant pressure	22W	45W
AUTOADAPT	5W	45W

- Flow range: 0 - 21.5 gpm (0 - 4.9 m³/h)
- Head range: 0-17 ft (0 - 5.2 m)
- Motor: 2-pole, single-phase
- Max. liquid temperature: 230 °F (110 °C)
- Min. liquid temperature: 36 °F (2 °C)
- Max. system pressure: 150 psi (10 bar)
- Closed (F, FR) and open systems (SF)

Model	Volts	Amps	Watts	Hp	Capacitor
ALPHA2 15-55	115	0.65	5-45	0.06	-

Cast Iron Construction

Standard Flange Model with Plug-in Connection



Stainless Steel construction

Standard Flange Model with plug-in connection.



6 foot long cord

Model	Product number 115 V	Dimensions [inches (mm)]							Connection type and size	Shipping weight [lbs (kg)]
		A	B	C	D	E	F	G		
ALPHA2 15-55 F	99163903	6.50 (165)	6.38 (162)	5.12 (130)	3.82 (97)	4.80 (122)	3.56 (90)	6.42 (163)	GF 15/26	7.2 (15.8)
ALPHA2 15-55 FR	99163932	6.50 (165)	7.01 (178)	5.12 (130)	3.82 (97)	4.80 (122)	3.56 (90)	6.42 (163)	(2) 1/2" dia. bolt holes	7.1 (15.6)
ALPHA2 15-55 SF	99163937	6.50 (165)	6.38 (162)	5.12 (130)	3.82 (97)	4.80 (122)	3.56 (90)	6.42 (163)		6.1 (13.4)
ALPHA2 15-55 F/LC	99163906	6.50 (165)	6.50 (165)	4.94 (125)	4.00 (102)	2.50 (64)	3.44 (87)	4.13 (105)	GF 15/26	7.5 (16.5)
ALPHA2 15-55 FR/LC	99163934	6.50 (165)	7.00 (178)	4.94 (125)	4.00 (102)	2.50 (64)	3.44 (87)	4.13 (105)	(2) 1/2" dia. bolt holes	7.3 (16.1)
ALPHA2 15-55 SF/LC	99163972	6.50 (165)	6.50 (165)	4.94 (125)	4.00 (102)	2.50 (64)	3.44 (87)	4.13 (105)		6.3 (13.8)

Note: Dimensions in inches unless otherwise stated. LC models have a 6 ft (1.8 m), 3-prong power cord.

Grundfos UP 15-42F Pump, Single Speed, 1/25 HP



Standard flange connection shown. Rotated flange is 90° of that shown. See "rotated flange" image below.

Pump comes with replacement flange gaskets:
Additional flange sets (Flanges, gaskets and bolt kit) available.

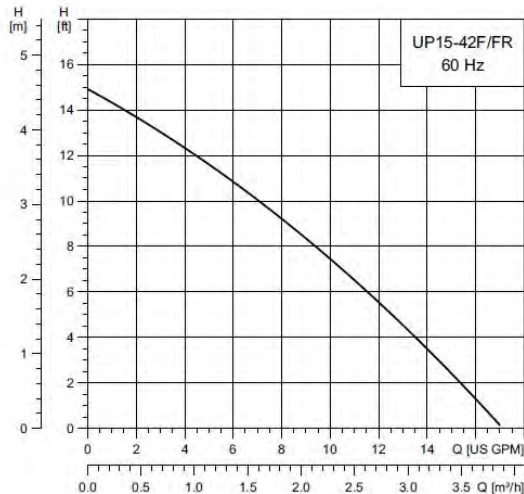
Features:

- Self-lubricating via pumped liquid with stainless steel impeller.
- 60 Hz, multi-speed motor. ■ Select flange sets from table below.
- 1/25 HP motors, single speed: 115V or 230V, single phase
- Standard module in the terminal box. ■ Hard wired electrical.
- Cast iron bodies for general heating purposes.



Cast Iron Model No.	Product Code	Flange Conn.	Electrical Operation	Ship Wgt, lbs.	Order No. Cast Iron
UP15-42F	59896155	Standard	115V	7.3	GN1005
UP15-42FR	59896167	Rotated		7.3	GN1005A
UP15-42F	59896173	Standard	230V	7.3	GN1005C
UP15-42FR	59896274	Rotated		7.3	GN1005E
GF15/26 Flange Set:			3/4" NPT	2.3	GN2040
Includes all the flanges, nuts, bolts and gaskets to install one pump.			1" NPT	2.3	GN2045
GF15/26 Flange Gasket Only: 1 ea., GN2105			1 1/4" NPT	2.2	GN2050
			1 1/2" NPT	2.2	GN2055

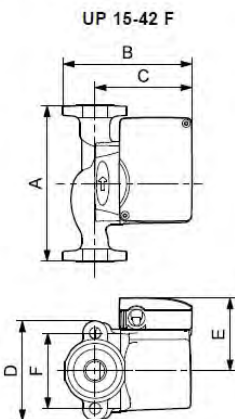
UP 15-42F/FR Specifications



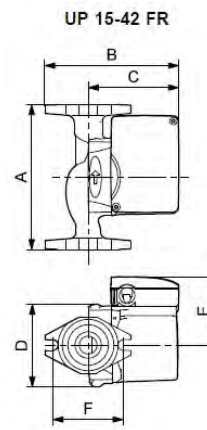
Flow range: 0-17 gpm (0 - 3.9 m³/h)
 Head range: 0-15 ft (0 - 4.6 m)
 Motor: 2-pole, single-phase
 Max. liquid temperature: 230 °F (110 °C)
 Min. liquid temperature: 36 °F (2 °C)
 Max. system pressure: 145 psi (10 bar)
 Closed system

Model	Volts	Amps	Watts	Hp	Capacitor
UP 15-42 F/FR	115	0.74	85	1/25	10 µF / 180 V
	230	0.43	95	1/25	2 µF / 400 V

Approvals



Rotated Flange Style



Model	Product number		Dimensions [inches (mm)]						Connection type and size	Shipping weight [lbs (kg)]
	115 V	230 V	A	B	C	D	E	F		
UP 15-42 F	59896155	59896173	6.50 (165)	5.25 (133)	4.00 (102)	4.19 (106)	3.25 (83)	3.16 (80)	GF 15/26 flange	7.3 (3.3)
UP 15-42 FR	59896167	59896274	6.50 (165)	5.94 (151)	4.00 (102)	3.75 (95)	3.25 (83)	3.16 (80)	(2) 1/2" dia. bolt holes	

Grundfos UP 26-64F Pump, Single Speed, 1/12 HP



Standard flange connection only.

Pump comes with replacement flange gaskets:
Additional flange sets (Flanges, gaskets and bolt kit) available.

Features:

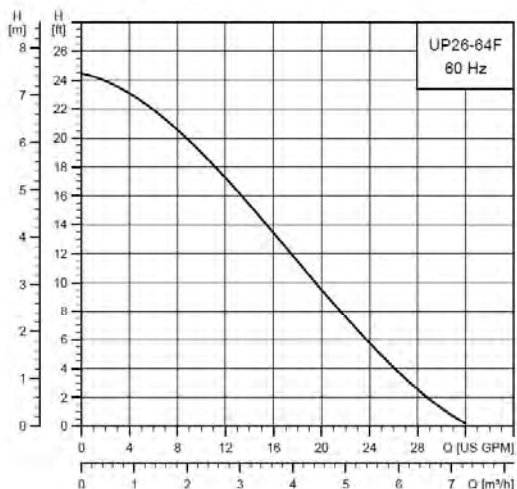
- Self-lubricating via pumped liquid with stainless steel impeller.
- 60 Hz, single speed motor. ■ Select flange sets from table below.
- 1/12 HP motors, multi-speed select: 115 or 230v, single phase.
- Supplied with standard module in the terminal box.
- Cast iron bodies for general heating purposes.



Flange Set
See table below.

Cast Iron Model No.	Product Code	Flange Conn.	Electrical Operation	Ship Wgt, lbs.	Order No. Cast Iron
UP26-64F	52722330	Standard	115V	7.3	GN1015
	5272327		230V	7.3	GN1015A
GF15/26 Flange Set: Includes all the flanges, nuts, bolts and gaskets to install one pump. GF15/26 Flange Gasket Only: 1 ea., GN2105			¾" NPT	2.3	GN2040
			1" NPT	2.3	GN2045
			1¼" NPT	2.2	GN2050
			1½" NPT	2.2	GN2055

UP 26-64F Specifications

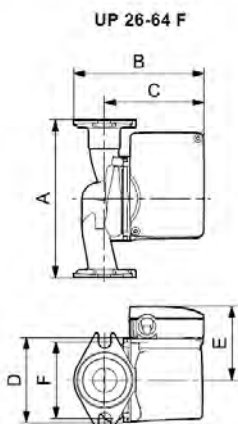


TM03 5636 4412

Flow range: 0-32 gpm (0 - 7.3 m³/h)
 Head range: 0 - 24.5 ft (0 - 5.7 m)
 Motor: 2-pole, single-phase
 Max. liquid temperature: 230 °F (110 °C)
 Min. liquid temperature: 36 °F (2 °C)
 Max. system pressure: 145 psi (10 bar)
 Closed system

Model	Volts	Amps	Watts	Hp	Capacitor
UP 26-64 F	115	1.7	185	1/12	8 µF / 180 V
	230	0.8	175	1/12	2.5 µF / 380 V

Approvals



TM03 8776 2607

Replacement Terminal Strip and Capacitor

For UP15-42
115V: [GN2910](#)
For UP15-42
230V: [GN2915](#)

Repair cartridge
to fix your UP26-64, UP43-75 and UP50-75 series pumps. 115/230V.

Order No:
[GN2805](#)

Model	Product number		Dimensions [inches (mm)]						Connection type and size	Shipping weight [lbs (kg)]
	115 V	230 V	A	B	C	D	E	F		
UP 26-64 F	52722330	52722327	6.50 (165)	6.38 (162)	5.06 (129)	4.13 (105)	3.50 (89)	3.16 (80)	GF 15/26 flange (2) 1/2" dia. bolt holes	11 1/4 (5.1)

Grundfos UP 26-96F/SF Pump, Single Speed, 1/12 HP



Standard flange connection only.

Features:

- Self-lubricating via pumped liquid with stainless steel impeller.
- 60 Hz, single speed motor. ■ Select flange sets from table below.
- 1/12 HP motors, multi-speed select: 115 or 230v, single phase.
- Supplied with standard module in the terminal box.
- Choose cast iron (heating) or stainless steel (potable water) bodies.



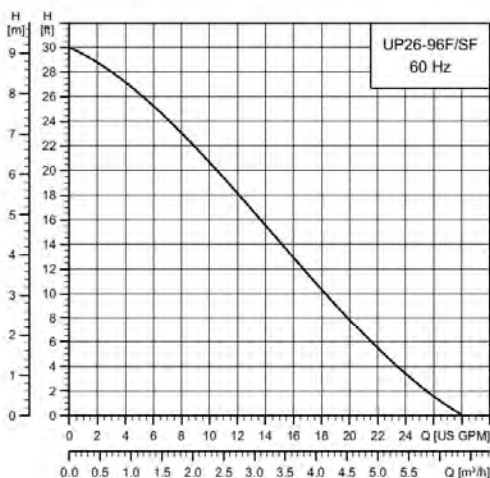
Flange Set
See table below.

Pump comes with replacement flange gaskets:
Additional flange sets (Flanges, gaskets and bolt kit) available.

Cast Iron Model No.	Stainless Steel Model No.	Flange Conn.	Electrical Operation	Ship Wgt, lbs.	Order No.	Ship Wgt, lbs.	Order No.	
					Cast Iron		Stainless	
UP26-96F	—	Standard	115V	11.3	GN1020	—	—	
	—	Standard	230V	11.3	GN1020A	—	—	
—	UP26-96SF	Standard	115V	—	—	12.5	GN1020C	
—		Standard	230V	—	—	12.5	GN1020E	
GF15/26 Flange Set, complete set includes all the flanges, nuts, bolts and gaskets to install one pump. GF15/26 Flange Gasket Only: 1 ea., GN2105				3/4" NPT	2.3	GN2040	2.1	*GN2060
				1" NPT	2.3	GN2045	2.1	*GN2065
				1 1/4" NPT	2.2	GN2050	2.1	*GN2070
				1 1/2" NPT	2.2	GN2055	—	—

*Bronze Flanges

UP 26-96F/SF Specifications



Flow range: 0-28 gpm (0 - 6.4 m³/h)
 Head range: 0-30 ft (0 - 9.1 m)
 Motor: 2-pole, single-phase
 Max. liquid temperature: 230 °F (110 °C)
 Min. liquid temperature: 36 °F (2 °C)
 Max. system pressure: 145 psi (10 bar)
 Closed system (F) and open system (SF)

Model	Volts	Amps	Watts	Hp	Capacitor
UP 26-96 F/SF	115	1.7	205	1/12	10 µF / 180 V
	230	0.8	205	1/12	2.5 µF / 380 V

Approvals



Repair cartridge to fix your UP26-96 and UP26-99 series pumps. 115v and 230V.

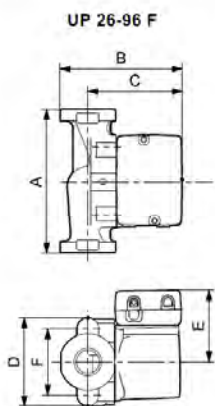
Order No:
GN2810

TM03 8543 1907

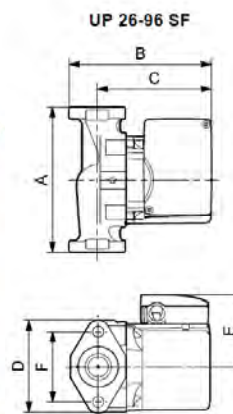
Replacement Terminal Strip and Capacitor

For UP26-96F 115V: **GN2912**

For UP26-96F 230V: **GN2915**



Stainless Steel Model UP26-96SF



Model	Product number		Dimensions [inches (mm)]						Connection type and size	Shipping weight [lbs (kg)]
	115 V	230 V	A	B	C	D	E	F		
UP 26-96 F	52722341	52722338	6.50 (165)	6.38 (162)	5.06 (129)	4.13 (105)	3.50 (89)	3.16 (80)	GF 15/26 flange (2) 1/2" dia. bolt holes	11.3 (5.1)
UP 26-96 SF	98961756	98961739	6.50 (165)	6.38 (162)	5.06 (129)	4.13 (105)	3.50 (89)	3.16 (80)	GF 15/26 flange (2) 1/2" dia. bolt holes	12.5 (5.7)

Grundfos UP 26-99F/SF Pump, Single Speed, 1/6 HP



Standard flange connection only.

Features:

- Self-lubricating via pumped liquid with stainless steel impeller.
- 60 Hz, single speed motor. ■ Select flange sets from table below.
- 1/6 HP motors, multi-speed select: 115 or 230v, single phase.
- Supplied with standard module in the terminal box.
- Choose cast iron (heating) or stainless steel (potable water) bodies.



Flange Set See table below.

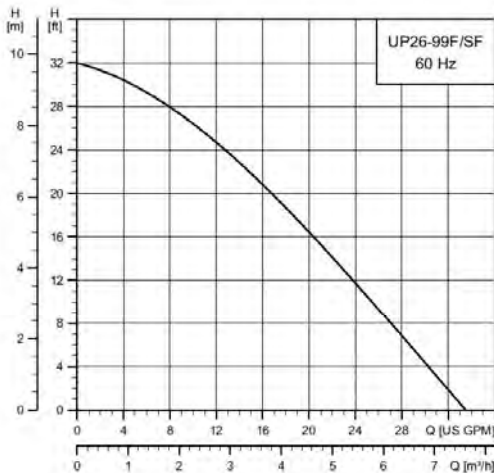
Pump comes with replacement flange gaskets:

Additional flange sets (Flanges, gaskets and bolt kit) available.

Cast Iron Model No.	Stainless Steel Model No.	Flange Conn.	Electrical Operation	Ship Wgt, lbs.	Order No. Cast Iron	Ship Wgt, lbs.	Order No. Stainless	
UP26-99F	—	Standard	115V	12.5	GN1025	—	—	
—	—	Standard	230V	12.5	GN1025A	—	—	
—	UP26-99SF	Standard	115V	—	—	12.5	GN1035	
—		Standard	230V	—	—	12.5	GN1035A	
GF15/26 Flange Set, complete set includes all the flanges, nuts, bolts and gaskets to install one pump. GF15/26 Flange Gasket Only: 1 ea., GN2105				3/4" NPT	2.3	GN2040	2.1	* GN2060
				1" NPT	2.3	GN2045	2.1	* GN2065
				1 1/4" NPT	2.2	GN2050	2.1	* GN2070
				1 1/2" NPT	2.2	GN2055	—	—

*Bronze Flanges

UP 26-99F/SF Specifications



Flow range: 0-34 gpm (0 - 7.7 m³/h)
 Head range: 0-32 ft (0 - 9.8 m)
 Motor: 2-pole, single-phase
 Max. liquid temperature: 230 °F (110 °C)
 Min. liquid temperature: 36 °F (2 °C)
 Max. system pressure: 145 psi (10 bar)
 Closed system (F) and open system (SF)

Model	Volts	Amps	Watts	Hp	Capacitor
UP 26-99 F/SF	115	2.15	245	1/6	10 µF / 180 V
	230	1.07	245	1/6	2.5 µF / 380 V

Approvals

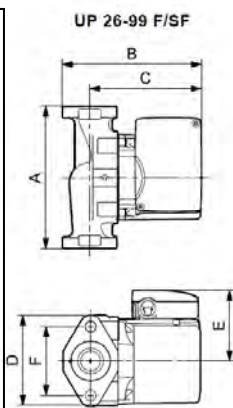


Repair cartridge to fix your UP26-96 and UP26-99 series pumps. 115V and 230V.
Order No: [GN2810](#)

Stainless Steel Model UP26-99SF



Replacement Terminal Strip and Capacitor
 For UP26-96F 115V: [GN2912](#)
 For UP26-96F 230V: [GN2915](#)



Model	Product number		Dimensions [inches (mm)]						Connection type and size	Shipping weight [lbs (kg)]
	115 V	230 V	A	B	C	D	E	F		
UP 26-99 F	52722355	52722351	6.50 (165)	6.38 (162)	5.06 (129)	4.13 (105)	3.50 (89)	3.16 (80)	GF 15/26 flange (2) 1/2" dia. bolt holes	12.5 (5.7)
UP 26-99 SF	89961762	89961760	6.50 (165)	6.38 (162)	5.06 (129)	4.13 (105)	3.50 (89)	3.16 (80)	GF 15/26 flange (2) 1/2" dia. bolt holes	12.5 (5.7)

Grundfos UP 26-116F/SF Pump, Single Speed, 1/6 HP

230V
Operation



Standard flange connection only.

Pump comes with replacement flange gaskets:
Additional flange sets (Flanges, gaskets and bolt kit) available.

Features:

- Self-lubricating via pumped liquid with stainless steel impeller.
- 60 Hz, single speed motor. ■ Select flange sets from table below.
- 1/6 HP motors, single speed: 230V, single phase.
- Supplied with standard module in the terminal box.
- Choose cast iron (heating) or stainless steel (potable water) bodies.

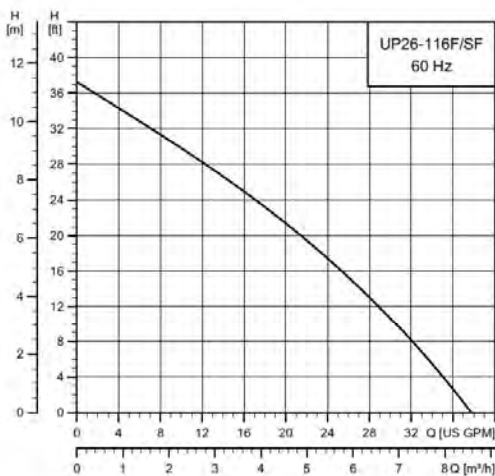


Flange Set
See table below.

Cast Iron Model No.	Stainless Steel Model No.	Flange Conn.	Electrical Operation	Ship Wgt, lbs.	Order No. Cast Iron	Ship Wgt, lbs.	Order No. Stainless
UP26-116F	—	Standard	115V	—	—	—	—
—	—	Standard	230V	12.5	GN1036	—	—
—	UP26-116SF	Standard	115V	—	—	—	—
—		Standard	230V	—	—	12.5	GN1036A
GF15/26 Flange Set, complete set includes all the flanges, nuts, bolts and gaskets to install one pump. GF15/26 Flange Gasket Only: 1 ea., GN2105			¾" NPT	2.3	GN2040	2.1	*GN2060
			1" NPT	2.3	GN2045	2.1	*GN2065
			1¼" NPT	2.2	GN2050	2.1	*GN2070
			1½" NPT	2.2	GN2055	—	—

*Bronze Flanges

UP 26-116F/SF Specifications



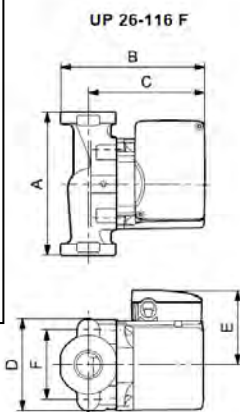
Flow range: 0-37 gpm (0 - 8.4 m³/h)
 Head range: 0-37 ft (0 - 11.3 m)
 Motor: 2-pole, single-phase
 Max. liquid temperature: 150 °F (65 °C)
 Min. liquid temperature: 32 °F (0 °C)
 Max. system pressure: 145 psi (10 bar)
 Closed system (F) and open system (SF)

Model	Volts	Amps	Watts	Hp	Capacitor
UP 26-116 F/SF	230	1.8	385	1/6	2.5 µF / 380 V

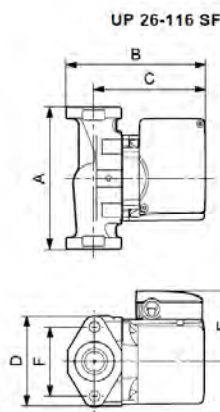
Approvals



Replacement Terminal Strip and Capacitor
For UP26-116F 230V: **GN2915**



Stainless Steel Model UP26-116SF



Repair cartridge to fix your UP26-116 series pumps. 230V only.
Order No: GN2815

Model	Product number 230 V	Dimensions [inches (mm)]						Connection type and size	Shipping weight [lbs (kg)]
		A	B	C	D	E	F		
UP 26-116 F	52722377	6.50 (165)	6.38 (162)	5.06 (129)	4.13 (105)	3.50 (89)	3.16 (80)	GF 15/26 flange (2) 1/2" dia. bolt holes	12.5 (5.7)
UP 26-116 SF	98961766	6.50 (165)	6.38 (162)	5.06 (129)	4.13 (105)	3.50 (89)	3.16 (80)	GF 15/26 flange (2) 1/2" dia. bolt holes	12.5 (5.7)

Grundfos UP 43-75F/BF Pump, Single Speed, 1/6 HP



Pump comes with a pair of flange gaskets.

Complete 1½" flange set available.

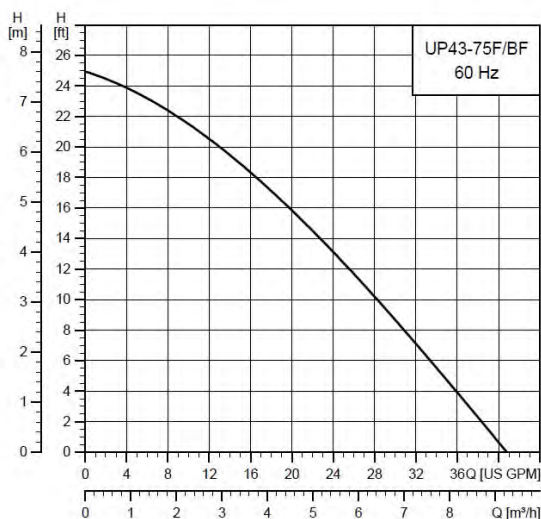
Features:

- Self-lubricating via pumped liquid with stainless steel impeller.
- 60 Hz, single speed motor. ■ Pair of flange gaskets included.
- 1/6HP motors: 115 or 230V, single phase
- Supplied with standard module in the terminal box.
- Choose from cast iron (heating) or bronze (potable water) bodies.



Cast Iron Model No.	Bronze Model No.	Flange Conn.	Voltage & Phase	HP	Ship Wgt lbs.	Order No. Cast Iron	*Wgt lbs.	Order No. Bronze
UP43-75F	—	1½" NPT 2-bolt	115/1	0.50	13.5	GN1030		—
UP43-75F	—		230/1		13.5	GN1030A		—
—	UP43-75BF		115/1		—	15.0		GN1030C
—	UP43-75BF		230/1		—	15.0		GN1030E
GF40/43 Flange Set , shown above. GF40/43 Flange Gasket Only: 1 ea., GN2115			1½" NPT		2.5	GN2000	3.0	GN2005

UP 43-75 Specifications



Flow range: 0-41 gpm (0 - 9.3 m³/h)
 Head range: 0-25 ft (0 - 7.6 m)
 Motor: 2-pole, single-phase
 Max. liquid temperature: 230 °F (110 °C)
 Min. liquid temperature: 36 °F (2 °C)
 Max. system pressure: 145 psi (10 bar)
 Open system

Model	Volts	Amps	Watts	Hp	Capacitor
UP 43-75 F/BF	115	2.15	215	1/6	10 µF / 180 V
	230	1.07	220	1/6	2.5 µF / 380 V

Approvals

UP 43-75 F/BF

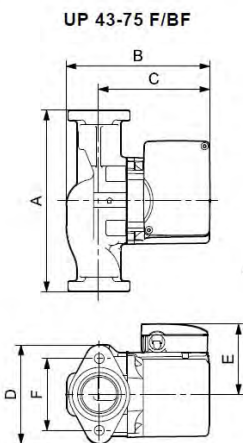


Repair cartridge to fix your UP26-64, UP43-75 and UP50-75 series pumps. 115/230V.

Order No:
GN2805

Replacement Terminal Strip and Capacitor

For UP43-75 115V: **GN2912**
 For UP43-75 230V: **GN2915**



Bronze Body
Model up43-75BF



Model	Product number		Dimensions [inches (mm)]						Connection type and size	Shipping weight [lbs (kg)]
	115 V	230 V	A	B	C	D	E	F		
UP 43-75 F	52722373	52722372	8.50 (216)	6.69 (170)	5.19 (132)	4.75 (121)	3.50 (89)	3.44 (87)	GF 40/43 flange (2) 1/2" dia. bolt holes	13.5 (6.2)
UP 43-75 BF	52722370	52722369	8.50 (216)	6.69 (170)	5.19 (132)	4.75 (121)	3.50 (89)	3.44 (87)	GF 40/43 flange (2) 1/2" dia. bolt holes	15 (6.8)

Grundfos UP 43-110F Pump, Single Speed, 3/4 HP



Cast Iron Shown

Features:

- Self-lubricating via pumped liquid with stainless steel impeller.
- 60 Hz, single speed motor. ■ Pair of flange gaskets included.
- 3/4 HP motors: 115/230V, single phase
- Supplied with standard module in the terminal box.
- Cast iron construction for general heating purposes.



Flange Set

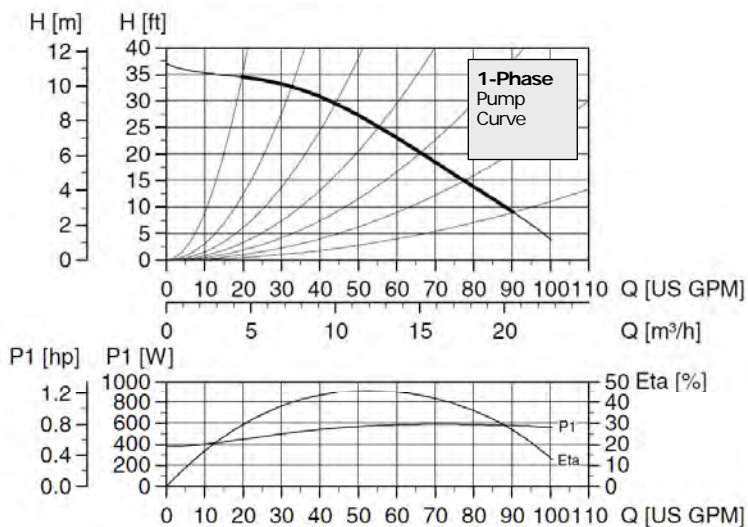
See table below.

Pump comes with a pair of flange gaskets.

Complete 1 1/2" flange set available.

Cast Iron Model No.	Bronze Model No.	Flange Conn.	Voltage & Phase	HP	Ship Wgt lbs.	Order No. Cast Iron
UP43-110F 96439634	—	1 1/2" NPT 2-bolt	115/230/1	0.75	41	GN1033
GF40/43 Flange Set, shown above. GF40/43 Flange Gasket Only: 1 ea., GN2115			1 1/2" NPT		2.5	GN2000

UP 43-110F Specifications

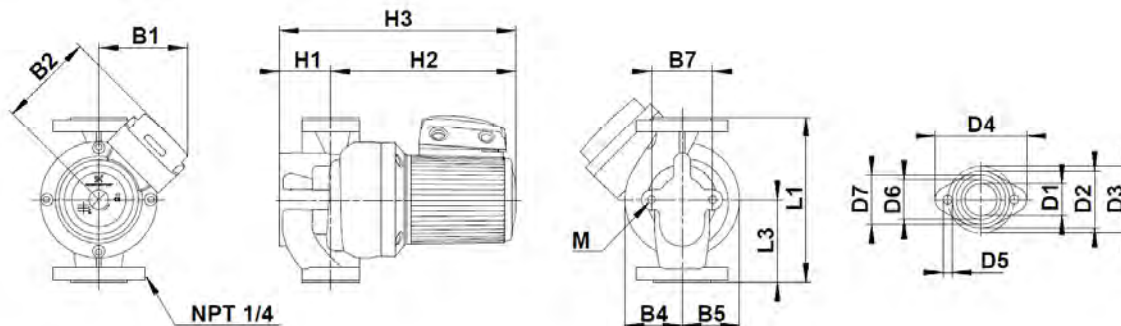


Flow range:	15 - 105 gpm
Head range:	1 - 37 ft
Motor:	2-pole 0.75 Hp
Max. liquid temp (Open):	+140 °F
Max. liquid temp.:	+230 °F
Min. liquid temp.:	+32 °F
Max. system pressure:	145 psi
Net wt:	33.1 lbs (15.0 kg)
Gross wt.:	41.2 lbs (18.7 kg)
Shipping volume:	1.70 ft ³ (0.048 m ³)

Electrical data

Max Amps @ Voltage (570 watts)			
115	230	208-230	460
4.9	2.5	—	—

Note: ETA is calculated as wire-to-water efficiency.



Dimensions

Model	L1	L3	B1	B2	B4	B5	B7	H1	H2	H3	D1	D2	D3	D4	D5	D6	D7	M
UP 43-110	[in]	8.50	4.25	5.25	5.56	2.94	2.94	3.13	2.63	9.63	12.23	1.63	2.94	3.42	4.75	0.50	2.06	2.50
	[mm]	216	108	133	141	75	75	79	67	244	311	41	75	87	121	13	52	64

Grundfos UP 50-75F Pump, Single Speed, 3/4 HP



Pump comes with a pair of flange gaskets. Complete 2" flange set available.

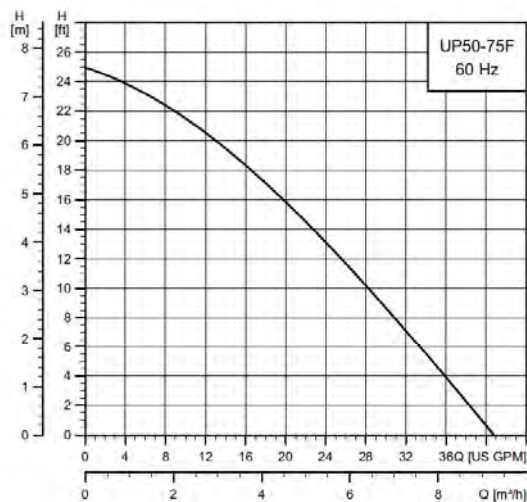
Features:

- Self-lubricating via pumped liquid with stainless steel impeller.
- 60 Hz, single speed motor. ■ Pair of flange gaskets included.
- 3/4 HP motors: 115V or 230V, single phase
- Supplied with standard module in the terminal box.
- Cast iron bodies for general heating purposes



Cast Iron Model No.	Bronze Model No.	Flange Conn.	Voltage & Phase	HP	Ship Wgt lbs.	Order No. Cast Iron
UP50-75F	—	2" NPT 4-bolt	115/1	0.75	15.5	GN1031
UP50-75F	—		230/1		15.5	GN1031A
GF50 Flange Set: Includes flanges, gaskets, nuts & bolts. GF50 Flange Gasket Only: 1 ea., GN2120			2" NPT		6.5	GN2075

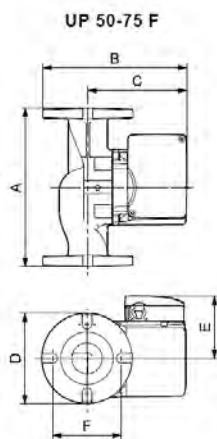
UP 50-75 Specifications



Flow range: 0-41 gpm (0 - 9.3 m³/h)
 Head range: 0-25 ft (0 - 7.6 m)
 Motor: 2-pole, single-phase
 Max. liquid temperature: 230 °F (110 °C)
 Min. liquid temperature: 32 °F (0 °C)
 Max. system pressure: 145 psi (10 bar)
 Closed system

Model	Volts	Amps	Watts	Hp	Capacitor
UP 50-75 F	115	2.15	215	1/6	10 µF / 180 V
	230	1.07	220	1/6	2.5 µF / 400 V

Approvals



Replacement Terminal Strip and Capacitor

For UP50-75
115V: [GN2912](#)
For UP50-75
230V: [GN2915](#)

Repair cartridge
to fix your UP26-64, UP43-75 and UP50-75 series pumps. 115/230V.

Order No:
[GN2805](#)

Model	Product number		Dimensions [inches (mm)]						Connection type and size	Shipping weight [lbs (kg)]
	115 V	230 V	A	B	C	D	E	F		
UP 50-75 F	52722352	52722353	8.50 (216)	7.50 (191)	5.06 (129)	4.88 (124)	3.50 (89)	4.19 (106)	GF 50 flange (4) 1/2" dia. bolt holes	15.5 (7.0)

Note: Dimensions in inches unless otherwise stated.

Grundfos UP 53-45F Pump, Single Speed, 1/2 HP



Pump comes with a pair of flange gaskets.

Complete 2" flange set available.

Features:

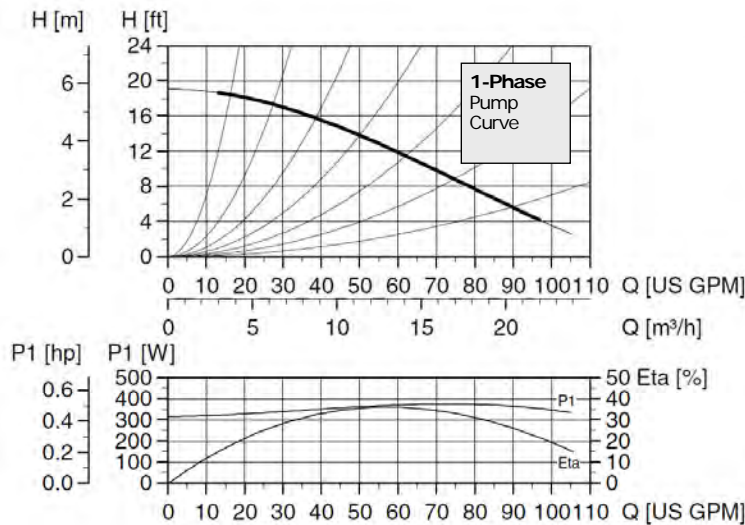
- Self-lubricating via pumped liquid with stainless steel impeller.
- 60 Hz, single speed motor. ■ Pair of flange gaskets included.
- 1/2 HP motors: 115/230V, single phase
- Supplied with standard module in the terminal box.
- Choose from cast iron (heating) or bronze (potable water) bodies.



2" Flange Set

Cast Iron Model No.	Bronze Model No.	Flange Conn.	Voltage & Phase	HP	Wgt lbs.	Order No. Cast Iron	Wgt lbs.	Order No. Bronze
UP53-45F	UP53-45BF	Varies, see below	115/230/1	0.50	61	GN1033K	61	GN1033M
—	—		230/1		—	—	—	—
—	—		208-230/3		—	—	—	—
—	—		1460/3		—	—	—	—
GF53 Flange Set: Includes 4-bolt flanges, gaskets, nuts & bolts.			2" NPT		12.0	GN2010	12.0	GN2025
GF53 Flange Gasket Only: 1 ea. GN2125			2½" NPT		12.0	GN2015	12.0	GN2030
			3" NPT		12.0	GN2020	12.0	GN2035

UP 53-45 Specifications

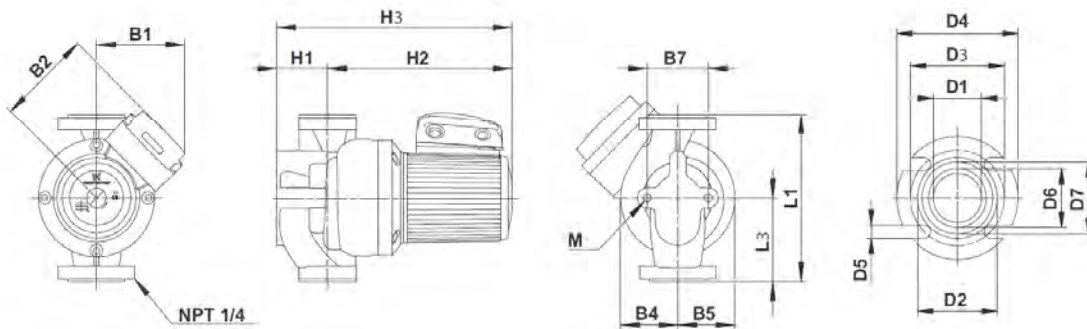


- Flow range: 15 - 100 gpm
- Head range: 1 - 23 ft
- Motor: 2-pole 0.50 Hp
- Max. liquid temp (Open): +140 °F
- Max. liquid temp.: +230 °F
- Min. liquid temp.: +32 °F
- Max. system pressure: 145 psi
- Net wt: 44.4 lbs (20.2 kg)
- Gross wt.: 63.5 lbs (23.8 kg)
- Shipping volume: 2.10 ft³ (0.06 m³)
- Net wt. bronze: 49.2 lbs (22.3 kg)
- Gross wt. bronze: 57.1 lbs (25.9 kg)
- Shipping volume bronze: 2.10 ft³ (0.06 m³)

Electrical data

Max Amps @ Voltage (360 watts)			
115	230	208-230	460
3.5	1.9	—	—

Note: ETA is calculated as wire-to-water efficiency.



Dimensions

Model	L1	L3	B1	B2	B4	B5	B7	H1	H2	H3	D1	D2	D3	D4	D5	D6	D7	M
UP 53-45	[In]	9.88	5.00	5.25	5.56	3.56	2.94	4.75	2.94	9.88	12.86	2.06	4.19	5.00	6.00	0.63	3.50	4.00
	[mm]	251	127	133	141	90	75	121	75	251	327	52	106	127	152	16	89	102

Grundfos UP 53-46F Pump, Single Speed, 3/4 HP



Pump comes with a pair of flange gaskets.
Complete Flange Sets available.

Features:

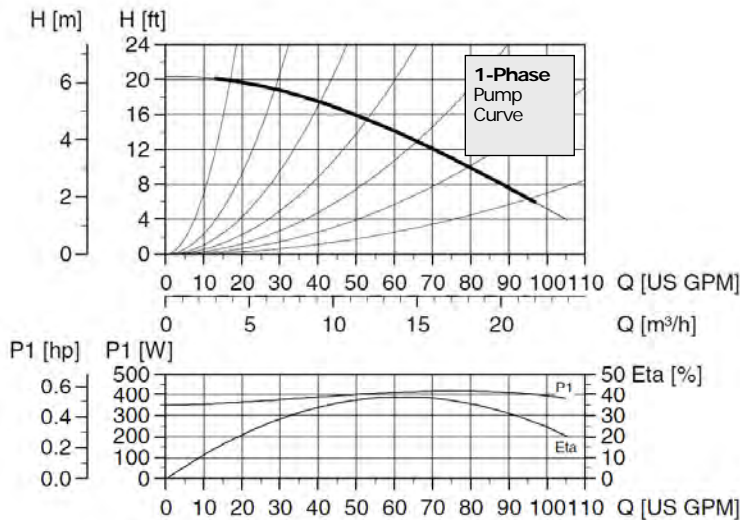
- Self-lubricating via pumped liquid with stainless steel impeller.
- 60 Hz, single speed motor. ■ Pair of flange gaskets included.
- 3/4 HP motors: 115/230V, single phase
- Supplied with standard module in the terminal box.
- Cast iron construction for general heating purposes.



2" Flange Set

Cast Iron Model No.	Bronze Model No.	Flange Conn.	Voltage & Phase	HP	Ship Wgt lbs.	Order No. Cast Iron	Order No. Bronze
UP53-46F	UP53-46BF	Varies, see below	115/230/1	0.75	61	GN1034	GN1034A
—	—		230/1		—	—	—
—	—		208-230/3		—	—	—
—	—		1460/3		—	—	—
GF53 Flange Set: Includes flanges, gaskets, nuts & bolts.			2" NPT		12.0	GN2010	GN2025
GF53 Flange Gasket Only: 1 ea., GN2125			2½" NPT		12.0	GN2015	GN2030
			3" NPT		12.0	GN2020	GN2035

UP 53-46 Specifications



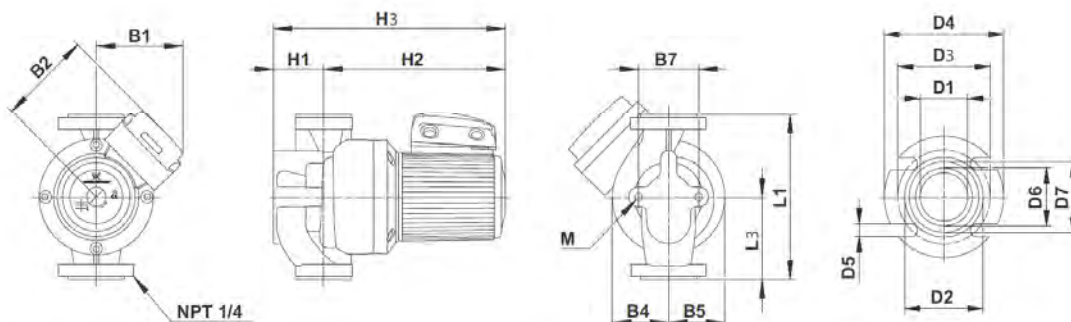
TM03 5371 0307

- Flow range: 15 - 105 gpm
- Head range: 1 - 37 ft
- Motor: 2-pole 0.75 Hp
- Max. liquid temp (Open): +140 °F
- Max. liquid temp.: +230 °F
- Min. liquid temp.: +32 °F
- Max. system pressure: 145 psi
- Net wt: 44.5 lbs (20.2 kg)
- Gross wt.: 63.5 lbs (23.8 kg)
- Shipping volume: 2.10 ft³ (0.06 m³)
- Net wt. bronze: 49.2 lbs (22.3 kg)
- Gross wt. bronze: 57.1 lbs (25.9 kg)
- Shipping volume bronze: 2.10 ft³ (0.06 m³)

Electrical data

Max Amps @ Voltage (420 watts)			
115	230	208-230	460
3.9	2.1	—	—

Note: ETA is calculated as wire-to-water efficiency.



TM03 7230 1608

Dimensions

Model	L1	L3	B1	B2	B4	B5	B7	H1	H2	H3	D1	D2	D3	D4	D5	D6	D7	M
UP 53-46	[in]	9.88	5.00	5.25	5.56	3.56	2.94	4.75	2.94	9.88	12.86	2.06	4.19	5.00	6.00	0.63	3.50	4.00
	[mm]	251	127	133	141	90	75	121	75	251	327	52	106	127	152	16	89	102

Identifying Your Existing UPS Series Grundfos Pump

Identification Plate Example for Grundfos UPS Series Pumps



ID No.	Description
1	Type code
2	Product number
3	Model designation
4	Product Code, year + week (above example: 2006, week 35)
5	Country of origin
6	Number of phases and rated voltage
7	Current speeds at 1, 2 and 3
8	Power speeds at 1, 2 and 3
9	Direction of rotation
10	Approvals
11	Temperature limits (shown in both C and F ratings)
12	Rated frequency in hertz
13	Capacitor size
14	Locked Rotor Amps
15	Insulation class

Understanding the Pump Model Nomenclature

Pump Model Example	UPS	50	-40	(/2)	F	(B)
Type Range: UP = single speed; UPS = 2- or 3-speed (460V = 2-speed)						
Nominal flange diameter (mm): 50 mm = 2 inches						
*Maximum pump head in decimeters: 40 dm = 157.6 inches						
Number of motor poles: 2 = 3600 rpm; 4 = 1800 rpm						
Flanged style pump: Order flange sets separately						
Pump with Bronze housing						

*Does not reference pump head on these models: UP53-45, UP53-46, UPS53-55/57 and UPS75-69

Grundfos UPS 15-35 Pumps, 3-Speed, 3/20 HP

UPS 15-35 SFC
Stainless Steel,
Flanged



Flanged pump comes with a pair of flange gaskets.

Features:

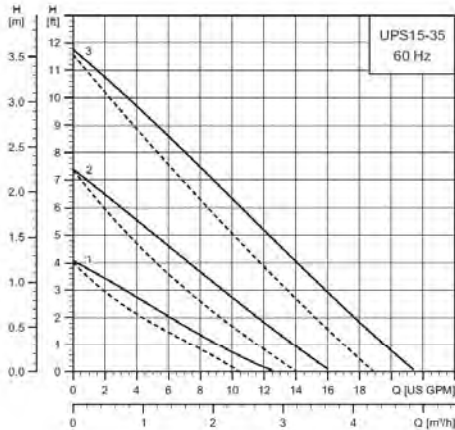
- Self-lubricating via pumped liquid with Integral Check Valve.
- 60 Hz, 115V 3-speed motor rated to 3/20 horsepower.
- Pair of flange gaskets included - Order flange set separately.
- Supplied with standard module in the terminal box.
- Stainless steel bodies with either flanged or union connections.



Stainless Steel Model No.	Connect	Electrical	Voltage & Phase	HP	Ship Wgt, lbs.	Order No. Stainless	Ship Wgt, lbs.	Order No. Bronze
UPS15-35SFC	Flanged	Hard Wired	115V/1	0.33	6.0	GN1080	—	—
UPS15-35SUC	Union	Hard Wired	115V/1		5.4	GN1085	—	—
UPS15-35SUC/TLC	Union	1 Plug-In	115V/1		6.3	GN1090	—	—
GF15/26 Flange Set , includes the flanges, nuts, bolts and gaskets				3/4" NPT	—	—	2.1	GN2060
GF15/26 Flange Gasket Only: 1 ea., GN2105				1" NPT	—	—	2.1	GN2065
				1 1/4" NPT	—	—	2.1	GN2070

¹ 6-foot long cord, 3-prong plug-in.

UPS 15-35 Specification



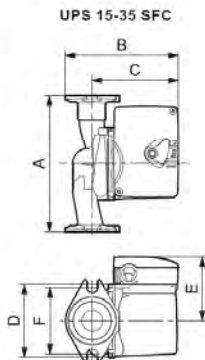
Flow range: 0 - 21.5 gpm (0 - 4.9 m³/h)
 Head range: 0-12 ft (0 - 3.7 m)
 Motors: 2-pole, single-phase
 Max. liquid temperature: 165 °F (74 °C)
 Min. liquid temperature: 36 °F (2 °C)
 Max. system pressure: 145 psi (10 bar)

Note: If the UP pump is equipped with a timer, the maximum liquid temperature is 150 °F (66 °C).

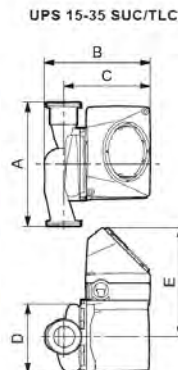
Model	Speed	Volts	Amps	Watts	Hp	Capacitor
UPS 15-35 SUC/ SFC	3	115	0.95	110	0.15	10 µF/180 V
	2		0.75	84	0.11	
	1		0.55	61	0.08	

— Without check valve
 - - - With check valve

Approvals



Union Connection Model



Model	Product number 115 V	Dimensions [inches (mm)]						Connection type and size	Shipping weight [lbs (kg)]
		A	B	C	D	E	F		
UPS 15-35 SFC	59896772	6.50 (165)	5.50 (140)	4.13 (105)	3.88 (99)	2.85 (72)	3.13 (80)	GF 15/26	6.0 (2.7)
UPS 15-35 SUC	59896778	5.88 (149)	5.06 (129)	4.13 (105)	3.44 (87)	2.85 (72)	-	GU 125	5.4 (2.5)
UPS 15-35 SUC/TLC	59896780	5.88 (149)	5.06 (129)	4.13 (105)	3.44 (87)	5.33 (135)	-	GU 125	6.2 (2.8)

Note: LC/TLC models have a 6 ft (1.8 m), 3-prong power cord.

Grundfos UPS 15-42F Pump, 3-Speed, 1/25 HP

UPS 15-42F
Cast Iron body,
Flanged



Pump comes with a pair of flange gaskets.

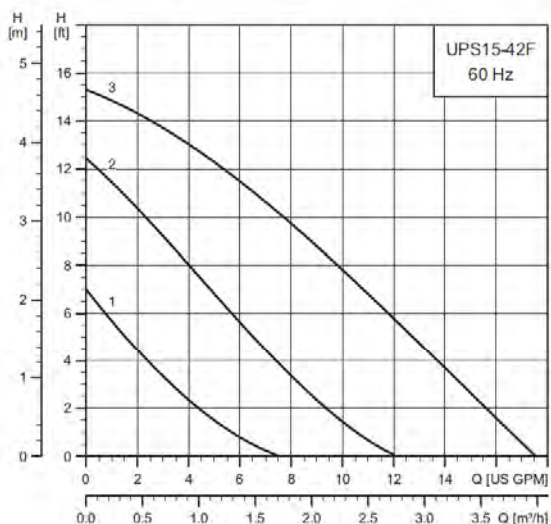
Features:

- Self-lubricating via pumped liquid - No need to oil.
- 60 Hz, 230V 3-speed motor rated to 1/25 horsepower.
- Pair of flange gaskets included - Order flange set separately.
- Supplied with standard module in the terminal box.
- Cast iron body with flanged connections for general heating.



Stainless Steel Model No.	Connect	Electrical	Voltage & Phase	HP	Ship Wgt, lbs.	Order No. Cast Iron
UPS 15-42F	Flanged	Hard Wired	230V/1	1/25	7.3	GN1040
Flange Set includes all the flanges, nuts, bolts and gaskets to install one pump. GF15/26 Flange Gasket Only: 1 ea., GN2105					3/4" NPT	GN2040
					1" NPT	GN2045
					1 1/4" NPT	GN2050
					1 1/2" NPT	GN2055

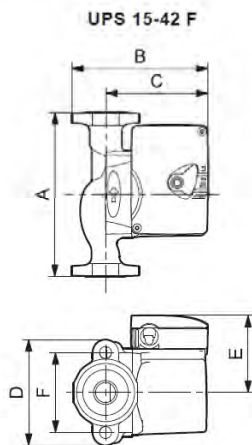
UPS 15-42F Specification



Flow range: 0 - 17.5 gpm (0 - 4.0 m³/h)
 Head range: 0 - 15.5 ft (0 - 4.7 m)
 Motors: 2-pole, single-phase
 Max. liquid temperature: 230 °F (110 °C)
 Min. liquid temperature: 36 °F (2 °C)
 Max. system pressure: 145 psi (10 bar)

Model	Speed	Volts	Amps	Watts	Hp	Capacitor
UPS 15-42 F	3	230	0.41	92	1/25	2 µF/400 V
	2		0.19	40		
	1		0.14	30		

Approvals



Side View
Model UPS 15-42F

Model	Product number		Dimensions [inches (mm)]						Connection type and size	Shipping weight [lbs (kg)]
	115 V	230 V	A	B	C	D	E	F		
UPS 15-42 F	-	59896180	6.5 (165)	5.25 (133)	4.00 (102)	4.19 (106)	3.25 (83)	3.16 (80)	GF 15/26 flange (2) 1/2" dia. bolt holes	7.3 (3.3)

Grundfos UPS 15-55 Pumps, 3-Speed, 1/8 HP

UPS 15-55 SFC
Stainless Steel,
Flanged



Flanged pump comes with a pair of flange gaskets.

Features:

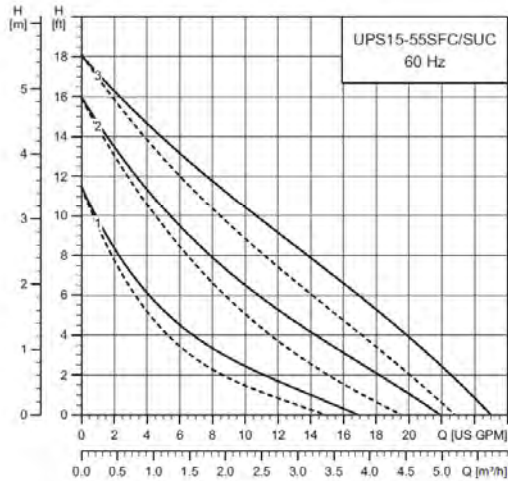
- Self-lubricating via pumped liquid with integral check valve.
- 60 Hz, 115V 3-speed motor rated to 1/8 horsepower.
- Pair of flange gaskets included - Order flange set separately.
- Supplied with standard module in the terminal box.
- Stainless steel bodies with either flanged or union connections.



Stainless Steel Model No.	Connect	Electrical	Voltage & Phase	HP	Ship Wgt, lbs.	Order No. Stainless	Ship Wgt, lbs.	Order No. Bronze
UPS15-55SFC	Flanged	Hard Wired	115V/1	0.33	13.2	GN1095	—	—
UPS15-55SUC	Union	Hard Wired	115V/1		11.9	GN1100	—	—
UPS15-55SUC/TLC	Union	1 Plug-In	115V/1		13.6	GN1105	—	—
GF15/26 Flange Set includes all the flanges, nuts, bolts and gaskets.				3/4" NPT	—	—	2.1	GN2060
				1" NPT	—	—	2.1	GN2065
GF15/26 Flange Gasket Only: 1 ea., GN2105				1 1/4" NPT	—	—	2.1	GN2070

¹ 6-foot long cord, 3-prong plug-in.

UPS 15-55 Specification



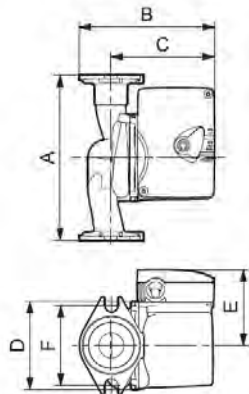
Flow range: 0-25 gpm (0 - 5.7 m³/h)
 Head range: 0-18 ft (0 - 5.5 m)
 Motors: 2-pole, single-phase
 Max. liquid temperature: 230 °F (110 °C)
 Min. liquid temperature: 36 °F (2 °C)
 Max. system pressure: 145 psi (10 bar)

Note: If the UP pump is equipped with a timer, the maximum liquid temperature is 150 °F (66 °C).

Model	Speed	Volts	Amps	Watts	Hp	Capacitor
UPS 15-55 SFC	3	115	0.75	87	0.12	10 µF/180 V
	2		0.69	77	0.1	
	1		0.53	58	0.08	
UPS 15-55 SUC	3	0.69	87	0.12		
	2	0.66	74	0.1		
	1	0.31	56	0.08		

— Without check valve
 - - - With check valve

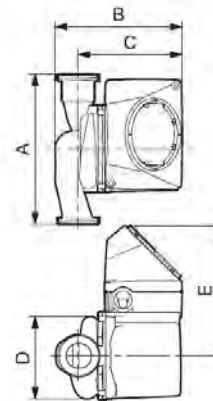
UPS 15-55 SFC



Union Connection Model



UPS 15-55 SUC/TLC



Model	Product number 115 V	Dimensions [inches (mm)]						Connection type and size	Shipping weight [lbs (kg)]
		A	B	C	D	E	F		
UPS 15-55 SFC	59896773	6.50 (165)	5.50 (140)	4.13 (105)	3.88 (99)	2.94 (75)	3.13 (80)	GF 15/26	13.2 (6.0)
UPS 15-55 SUC	59896781	5.88 (149)	5.06 (129)	4.13 (105)	3.44 (87)	2.94 (75)	-	GU 125	11.9 (5.4)
UPS 15-55 SUC/TLC	59896783	5.88 (149)	5.06 (129)	4.13 (105)	3.44 (87)	2.94 (75)	-	GU 125	13.6 (6.2)

Note: LC/TLC models have a 6 ft (1.8 m), 3-prong power cord.

Grundfos UPS 15-58 Pumps, 3-Speed, 1/25 HP

UPS FC
Standard Flange
Connection



Flanged pump comes with a pair of flange gaskets.

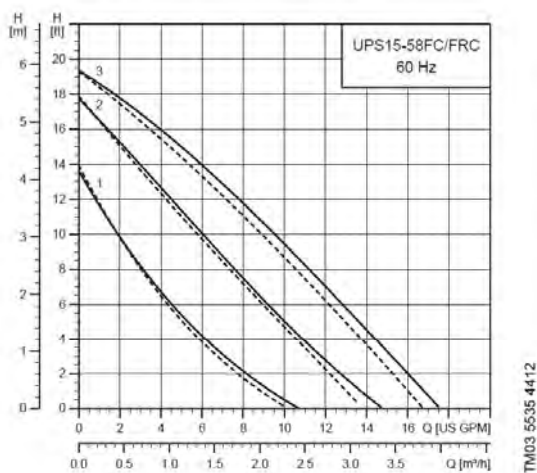
Features:

- Self-lubricating via pumped liquid with integral check valve.
- 60 Hz, 115V 3-speed motor rated to 1/6 horsepower.
- Pair of flange gaskets included - Order flange set separately.
- Supplied with standard module in the terminal box. ■ Hard wired.
- Cast iron construction for general heating purposes.



Cast Iron Model No.	Flange Connection	Electrical Connection	Voltage & Phase	HP	Ship Wgt, lbs.	Order No. Cast Iron
UPS15-58FC	Standard	Hard Wired	115V/1	0.33	7.3	GN1095
UPS15-58FRC	Rotated	Hard Wired	115V/1		7.3	GN1100
GF15/26 Flange Set includes all the flanges, nuts, bolts and gaskets. GF15/26 Flange Gasket Only: 1 ea., GN2105					¾" NPT	GN2040
					1" NPT	GN2045
					1¼" NPT	GN2050
					1½" NPT	GN2055

UPS 15-58 Specification

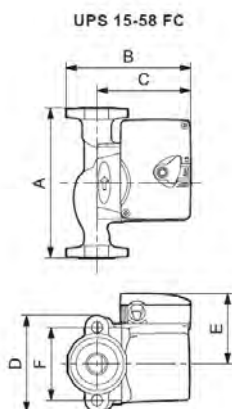


Flow range: 0-17 gpm (0 - 3.9 m³/h)
 Head range: 0 - 19.5 ft (0 - 5.9 m)
 Motors: 2-pole, single-phase
 Max. liquid temperature: 230 °F (110 °C)
 Min. liquid temperature: 36 °F (2 °C)
 Max. system pressure: 145 psi (10 bar)

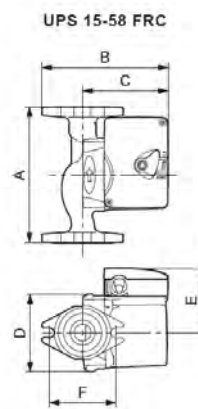
Model	Speed	Volts	Amps	Watts	Hp	Capacitor
UPS 15-58 FC/ FRC	3	115	0.75	87	1/25	10 µF/180 V
	2		0.66	80	1/25	
	1		0.55	60	1/25	

— Without check valve
 - - - With check valve

Approvals



Rotated Flange Connection



Model	Product number 115 V	Dimensions [inches (mm)]						Connection type and size	Shipping weight [lbs (kg)]
		A	B	C	D	E	F		
UPS 15-58 FC	59896341	6.50 (165)	5.25 (133)	4.00 (102)	4.19 (106)	3.00 (76)	3.16 (80)	GF 15/26 flange (2) 1/2" dia. bolt holes	7.3 (3.3)
UPS 15-58 FRC	59896343	6.50 (165)	5.25 (133)	4.00 (102)	4.19 (106)	3.00 (76)	3.16 (80)	GF 15/26 flange (2) 1/2" dia. bolt holes	7.3 (3.3)

Grundfos UPS 26-99 Pumps, 3-Speed, 1/6 HP

UPS 26-99 FC
Cast Iron, Flange



Pump comes with a pair of flange gaskets. Order desired size Flange Set if needed.

Features:

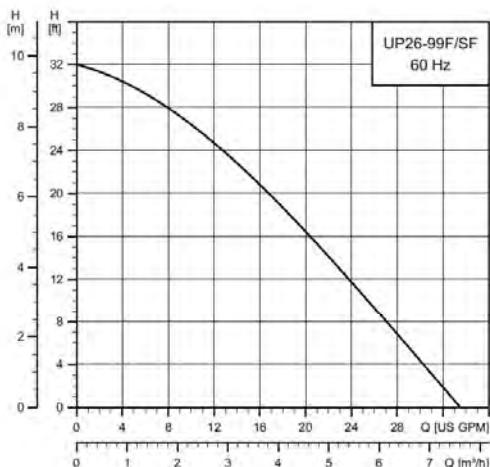
- Self-lubricating via pumped liquid with integral check valve.
- 60 Hz, 115V or 230V 3-speed motor rated to 1/6 horsepower.
- Select the desired pump speed for optimum efficiency.
- Supplied with standard module in the terminal box. ■ Hard wired.
- Cast iron (general heat) or stainless steel (potable) construction.



Cast Iron Model No.	Stainless Steel Model No.	Connect	Voltage & Phase	HP	Ship Wgt, lbs.	Order No. Cast Iron	Ship Wgt, lbs.	Order No. Stainless
UPS26-99FC	—	Flanged	115V/1	1/6	10.3	GN1045	—	—
UPS26-99FC	—	Flanged	230V/1		10.3	GN1045A	—	—
—	UPS26-99SFC	Flanged	115V/1		—	—	10.3	GN1110
—	UPS26-99SFC	Flanged	230V/1		—	—	10.3	GN1110A
GF15/26 Flange Set includes all the flanges, nuts, bolts and gaskets. GF15/26 Flange Gasket Only: 1 ea., GN2105				3/4" NPT	2.3	GN2040	2.1	*GN2060
				1" NPT	2.3	GN2045	2.1	*GN2065
				1 1/4" NPT	2.2	GN2050	2.1	*GN2070
				1 1/2" NPT	2.2	GN2055	—	—

*Bronze Flanges

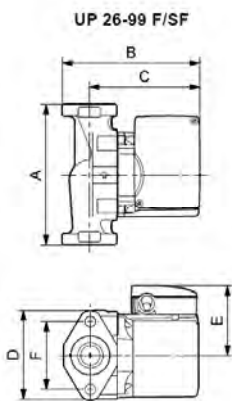
UPS 26-99 Specification



Flow range: 0-34 gpm (0 - 7.7 m³/h)
 Head range: 0-32 ft (0 - 9.8 m)
 Motor: 2-pole, single-phase
 Max. liquid temperature: 230 °F (110 °C)
 Min. liquid temperature: 36 °F (2 °C)
 Max. system pressure: 145 psi (10 bar)
 Closed system (F) and open system (SF)

Model	Volts	Amps	Watts	Hp	Capacitor
UP 26-99 F/SF	115	2.15	245	1/6	10 µF / 180 V
	230	1.07	245	1/6	2.5 µF / 380 V

Approvals



Sample of UPS26-99SFC
Stainless Steel



Model	Product number		Dimensions [inches (mm)]						Connection type and size	Shipping weight [lbs (kg)]
	115 V	230 V	A	B	C	D	E	F		
UP 26-99 F	52722355	52722351	6.50 (165)	6.38 (162)	5.06 (129)	4.13 (105)	3.50 (89)	3.16 (80)	GF 15/26 flange (2) 1/2" dia. bolt holes	12.5 (5.7)
UP 26-99 SF	98961762	98961760	6.50 (165)	6.38 (162)	5.06 (129)	4.13 (105)	3.50 (89)	3.16 (80)	GF 15/26 flange (2) 1/2" dia. bolt holes	12.5 (5.7)

Grundfos UPS 26-150 Pumps, 3-Speed, 1/2 HP

UPS 26-150F
Cast Iron, Flange



Features:

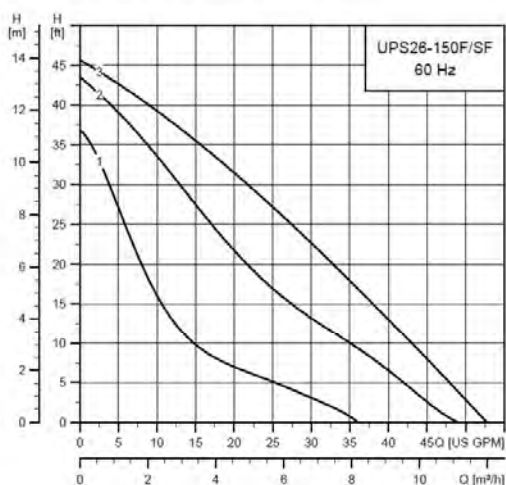
- Self-lubricating via pumped liquid with integral check valve.
- 60 Hz, 115V or 230V 3-speed motor rated up to 1/2 horsepower.
- Flanged connections: If needed, select the desired size flange set.
- Supplied with standard module in the terminal box. ■ Hard wired.
- Cast iron (general heat) or stainless steel (potable) construction.



Pump comes with a pair of flange gaskets.
Order desired size Flange Set if needed.

Cast Iron Model No.	Stainless Steel Model No.	Voltage & Phase	HP	Ship Wgt, lbs.	Order No. Cast Iron	Ship Wgt, lbs.	Order No. Stainless
UPS26-150F	—	115V/1	1/2	17.4	GN1050	—	—
UPS26-150F	—	208-230V/3		17.4	GN1050A	—	—
—	UPS26-150SF	115V/1		—	—	17.4	GN1115
—	UPS26-150SF	208-230V/3		—	—	17.4	GN1115A
GF15/26 Flange Set includes all the flanges, nuts, bolts and gaskets. GF15/26 Flange Gasket: 1 ea., GN2105			3/4" NPT	2.3	GN2040	2.1	* GN2060
			1" NPT	2.3	GN2045	2.1	* GN2065
			1 1/4" NPT	2.2	GN2050	2.1	* GN2070
			1 1/2" NPT	2.2	GN2055	—	—

UPS 26-150 Specifications

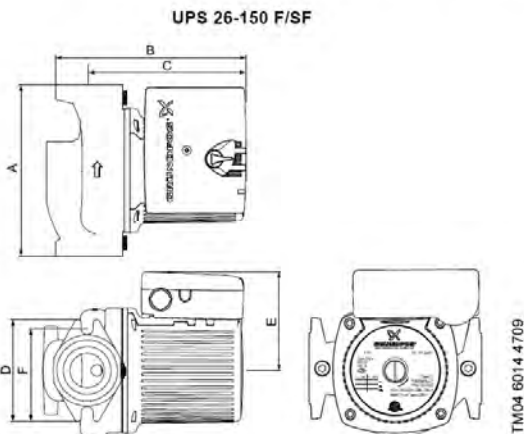


Flow range: 0-53 gpm (0-12 m³/h)
 Head range: 0-46 ft (0-14 m)
 Motor: 2-pole, single-phase
 Max. liquid temperature: 230 °F (110 °C)
 Min. liquid temperature: 36 °F (2 °C)
 Max. system pressure: 145 psi (10 bar)

*Bronze Flanges

Model	Speed	Volts	Amps	Watts	Hp	Capacitor
UPS 26-150 F / SF	III	115	3.5	370	1/2	40 µF / 180 V
	II		3.1	335	1/2	
	I		2.5	265	1/2	
UPS 26-150 F / SF	III	208	1.7	350	1/2	10 µF / 400 V
	II		1.5	310	1/2	
	I		1.2	250	1/2	
	III	230	1.7	370	1/2	10 µF / 400 V
	II		1.5	335	1/2	
	I		1.2	265	1/2	

Sample of UPS26-150
Stainless Steel



Model	Product number		Dimensions [inches (mm)]						Connection type and size	Shipping weight [lbs (kg)]
	115 V	208-230 V	A	B	C	D	E	F		
UPS 26-150 F	95906630	95906631	6.50 (165)	7.13 (181)	5.88 (149)	3.88 (98)	3.75 (95)	3.13 (79)	GF 15/26 flange (2) 1/2" dia. bolt holes	17.4 (7.9)
UPS 26-150 SF	95906632	95906633	6.50 (165)	7.13 (181)	5.88 (149)	3.88 (98)	3.75 (95)	3.13 (79)	GF 15/26 flange (2) 1/2" dia. bolt holes	17.4 (7.9)

Grundfos UPS 32-40/4 Pumps, 3-Speed, 1/3 HP

UPS 32-40/4
Cast iron



Features:

- Self-lubricating via pumped liquid with stainless steel impeller.
- 60 Hz, 3-speed motor: Maximum RPM, 1750
- Choose from one-phase or three-phase, 1/3 HP motors.
- Supplied with standard module in the terminal box.
- Choose from cast iron (heating) or bronze (potable water) bodies.



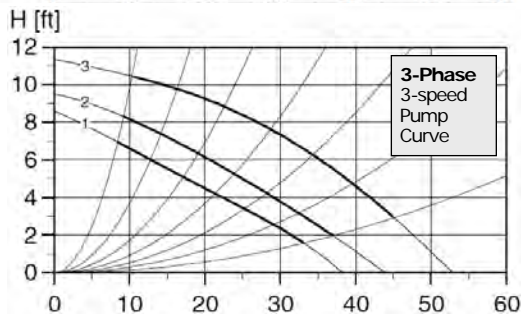
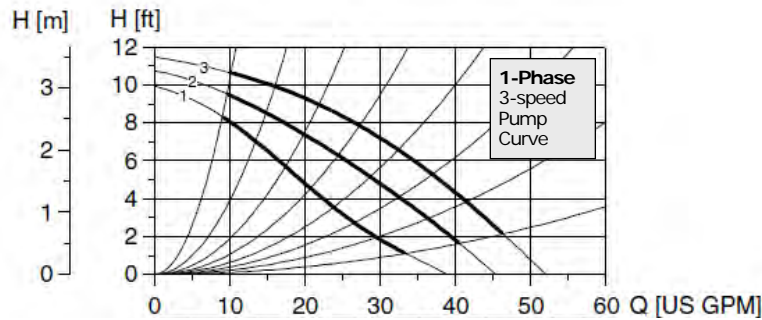
Pump comes with a pair of flange gaskets.

Need a complete flange set with flanges, nuts, bolts & gaskets? See adjoining ordering table.

[CLICK for Replacement Pump Head](#)

UPS 32-40/4 Specification

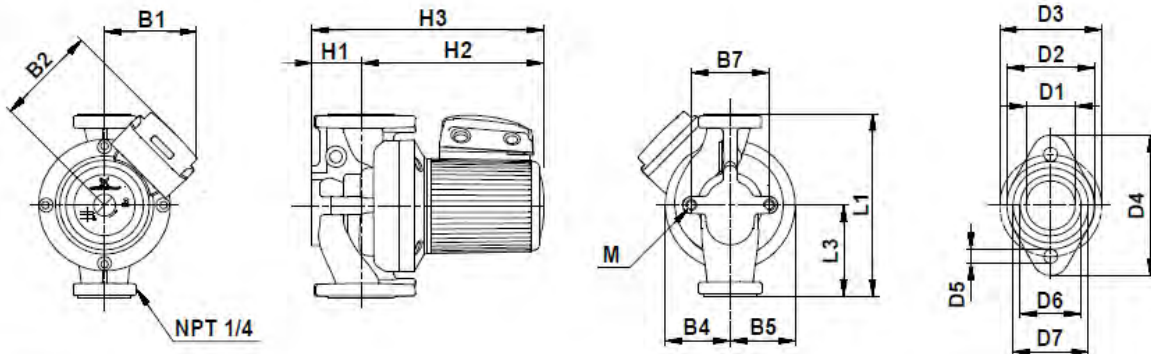
Cast Iron Product No.	Bronze Product No.	Flange Conn.	Voltage & Phase	HP	Ship Wgt, lbs.	Order No. Cast Iron	Ship Wgt, lbs.	Order No. Bronze
96402694	96402701	Varies, See Below	230V/1	0.33	38	GN1133	42	GN1133E
96402695	96402702		208-230/3		37	GN1133A	42	GN1133H
GF15/26 Flange Set includes all the flanges, nuts, bolts and gaskets. GF15/26 Flange Gasket: 1 ea., GN2105			¾" NPT		2.3	GN2040	2.1	GN2060
			1" NPT		2.3	GN2045	2.1	GN2065
			1¼" NPT		2.2	GN2050	2.1	GN2070
			1½" NPT		2.2	GN2055	—	—



- Flow range: 9 - 52 gpm
- Head range: 1 - 11 ft
- Motor: 4-pole 0.33 Hp
- Max. liquid temp (Open): +140 °F
- Max. liquid temp.: +248 °F
- Min. liquid temp.: +32 °F
- Max. system pressure: 145 psi
- Net wt: 35.9 lbs (16.3 kg)
- Gross wt.: 43.4 lbs (19.7 kg)
- Shipping volume: 1.70 ft³ (0.048 m³)
- Net wt. bronze: 39.2 lbs (17.8 kg)
- Gross wt. bronze: 46.7 lbs (21.2 kg)
- Shipping volume bronze: 1.70 ft³ (0.048 m³)

Electrical data, pump running Not startup

Speed	Max Amps @ Voltage			
	115	230	208-230	460
3	1.08	0.54	0.56	0.28
2	1.04	0.52	0.26	0.13
1	0.95	0.95	0.24	—



TM02 0729 5100

Dimensions

Model	L1	L3	B1	B2	B4	B5	B7	H1	H2	H3	D1	D2	D3	D4	D5	D6	D7	M
UPS 32-40/4	[in]	11.00	5.50	5.31	5.56	3.00	3.00	3.19	2.69	9.50	12.24	1.44	2.56	3.14	4.63	0.50	1.81	2.25
	[mm]	279	140	135	141	76	76	81	68	241	311	37	65	80	117	13	46	57

Grundfos UPS 32-80/2 Pumps, 3-Speed, 1/2 HP



UPS 32-80/2
Cast iron

Features:

- Self-lubricating via pumped liquid with stainless steel impeller.
- 60 Hz, 3-speed motor: Maximum RPM, 3450.
- Choose from one-phase or three-phase, 1/2 HP motors.
- Supplied with standard module in the terminal box.
- Choose from cast iron (heating) or bronze (potable water) bodies.



Flange Set
Sample

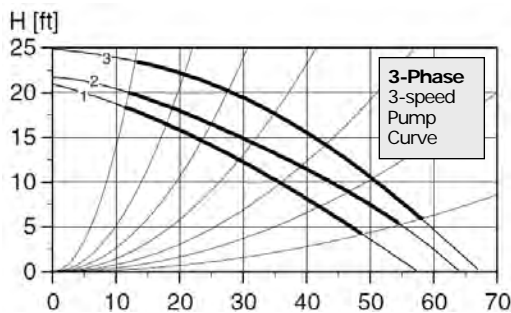
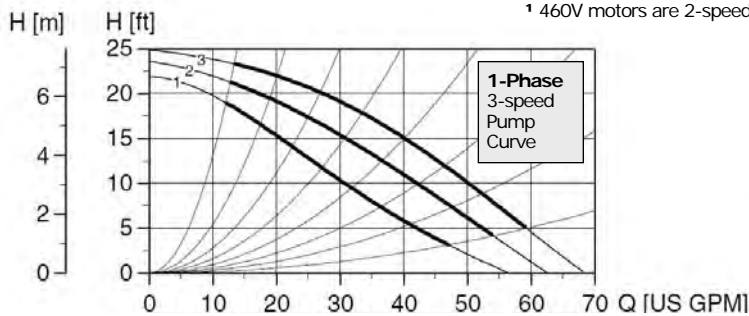
Pump comes with a pair of flange gaskets.

Need a complete flange set with flanges, nuts, bolts & gaskets? See adjoining ordering table.

[CLICK for Replacement Pump Head](#)

UPS 32-80/2 Specification

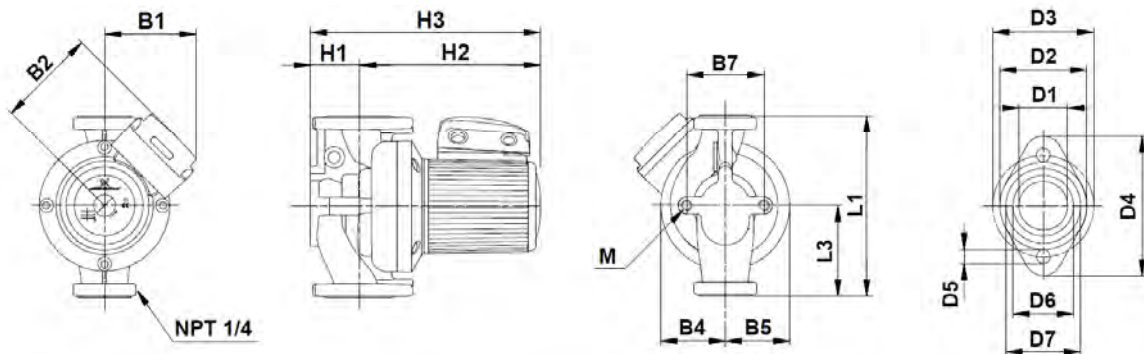
Cast Iron Product No.	Bronze Product No.	Flange Conn.	Voltage & Phase	HP	Ship Wgt	Order No. Cast Iron	Ship Wgt	Order No. Bronze
96402708	96402713	Varies, See Below	115V/1	0.50	38	GN1135	41	GN1135H
96402709	96402714		230V/1		37	GN1135A	41	GN1135K
96402710	96402715		208-230/3		37	GN1135C	42	GN1135M
96402711	96402716		1460/3		37	GN1135E	42	GN1135N
GF15/26 Flange Set includes all the flanges, nuts, bolts and gaskets. GF15/26 Flange Gasket: 1 ea., GN2105			3/4" NPT		2.3	GN2040	2.1	GN2060
			1" NPT		2.3	GN2045	2.1	GN2065
			1 1/4" NPT		2.2	GN2050	2.1	GN2070
			1 1/2" NPT		2.2	GN2055	—	—



- Flow range: 9 - 67 gpm
- Head range: 1 - 25 ft
- Motor: 2-pole 0.50 Hp
- Max. liquid temp (Open): +140 °F
- Max. liquid temp.: +248 °F
- Min. liquid temp.: +32 °F
- Max. system pressure: 145 psi
- Net wt: 35.9 lbs (16.3 kg)
- Gross wt.: 41.1 lbs (20 kg)
- Shipping volume: 1.70 ft³ (0.048 m³)
- Net wt. bronze: 39.2 lbs (17.8 kg)
- Gross wt. bronze: 47.4 lbs (21.5 kg)
- Shipping volume bronze: 1.70 ft³ (0.048 m³)

Electrical data, pump running Not startup

Speed	Max Amps @ Voltage			
	115	230	208-230	460
3	2.66	1.34	1.10	0.55
2	2.50	1.26	0.72	0.36
1	2.50	1.26	0.58	—



Dimensions

Model	L1	L3	B1	B2	B4	B5	B7	H1	H2	H3	D1	D2	D3	D4	D5	D6	D7	M
UPS 32-80/2	[in]	11.00	5.50	5.31	5.56	3.00	3.00	3.19	2.69	9.50	12.12	1.44	2.56	3.14	4.63	0.50	1.81	2.25
	[mm]	279	140	135	141	76	76	81	68	241	308	37	65	80	117	13	46	57

TM02 0726 5100

Grundfos UPS 32-160/2 Pumps, 3-Speed, 3/4 HP



UPS 32-160/2
Cast iron

Features:

- Self-lubricating via pumped liquid with stainless steel impeller.
- 60 Hz, 3-speed motor: Maximum RPM, 3450.
- Choose from one-phase or three-phase, 3/4 HP motors.
- Supplied with standard module in the terminal box.
- Choose from cast iron (heating) or bronze (potable water) bodies.



Pump comes with a pair of flange gaskets.

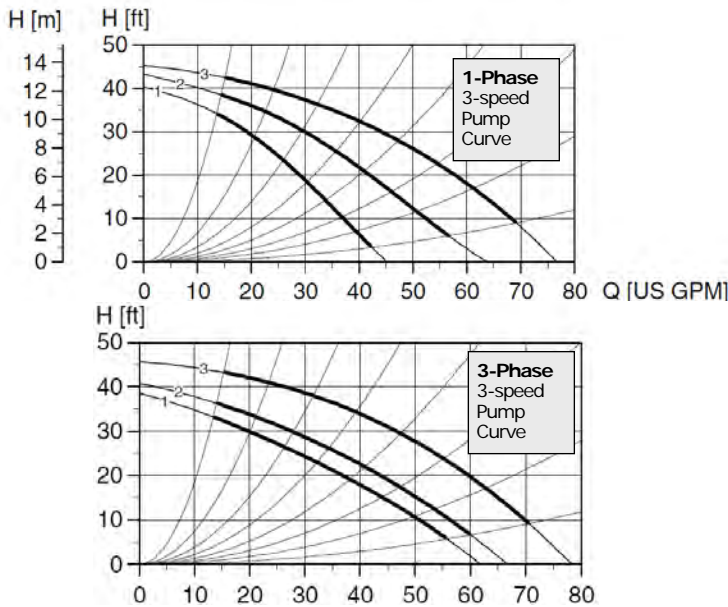
Need a complete flange set with flanges, nuts, bolts & gaskets? See adjoining ordering table.

[CLICK for Replacement Pump Head](#)

Cast Iron Product No.	Bronze Product No.	Flange Conn.	Voltage & Phase	HP	Ship Wgt, lbs.	Order No. Cast Iron	Ship Wgt, lbs.	Order No. Bronze
96402730	96402739	1 1/2" NPT 2-bolt	115V/1	0.75	42	GN1140	46	GN1140H
96402733	96402740		230V/1		44	GN1140A	47	GN1140K
96402736	96402741		208-230/3		41	GN1140C	46	GN1140M
96402737	96402742		1460/3		43	GN1140E	46	GN1140N
GF40/43 Flange Set as shown above			1 1/2" NPT		2.5	GN2000	3.0	GN2005
GF40/43 Flange Gasket Only: 1 ea., GN2115								

UPS 32-160/2 Specifications

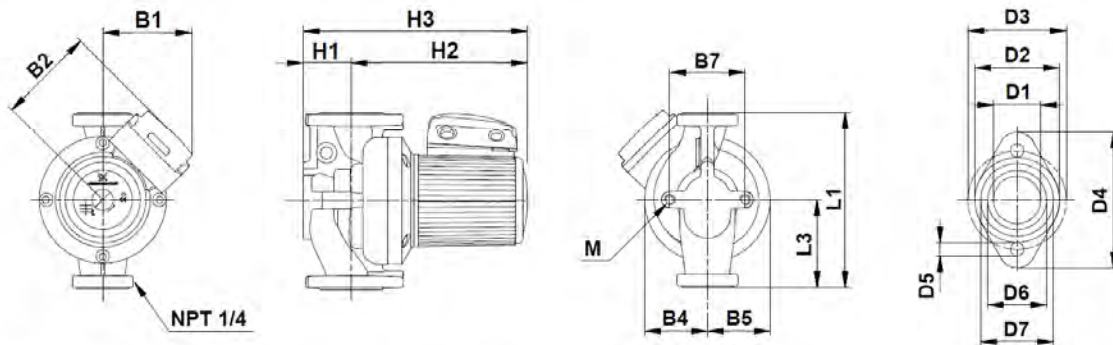
¹ 460V motors are 2-speed only.



- Flow range: 9 - 76 gpm
- Head range: 1 - 45 ft
- Motor: 2-pole 0.75 Hp
- Max. liquid temp (Open): +140 °F
- Max. liquid temp.: +248 °F
- Min. liquid temp.: +32 °F
- Max. system pressure: 145 psi
- Net wt: 37.0 lbs (16.8 kg)
- Gross wt.: 45.2 lbs (20.5 kg)
- Shipping volume: 1.70 ft³ (0.048 m³)
- Net wt. bronze: 37.7 lbs (17.1 kg)
- Gross wt. bronze: 45.9 lbs (20.8 kg)
- Shipping volume bronze: 1.70 ft³ (0.048 m³)

Electrical data, pump running Not startup

Speed	Max Amps @ Voltage			
	115	230	208-230	460
3	5.80	2.90	1.96	0.98
2	5.80	2.90	1.25	0.63
1	5.50	2.90	1.12	—



Dimensions

Model	L1	L3	B1	B2	B4	B5	B7	H1	H2	H3	D1	D2	D3	D4	D5	D6	D7	M
UPS 32-160/2	[in]	13.50	5.50	5.31	5.56	3.00	3.00	3.19	2.69	9.50	12.16	1.44	2.50	3.42	4.63	0.50	2.06	2.56
	[mm]	343	140	135	141	76	76	81	68	241	309	37	64	87	117	13	52	65

TM02 0729 5100

Grundfos UPS 40-40/4 Pumps, 3-Speed, 1/3 HP



UPS 40-40/4
Cast iron

Features:

- Self-lubricating via pumped liquid with stainless steel impeller.
- 60 Hz, 3-speed motor: Maximum RPM, 1750
- Choose from one-phase or three-phase, 0.33 HP motors.
- Supplied with standard module in the terminal box.
- Choose from cast iron (heating) or bronze (potable water) bodies.



Flange Set Sample

Pump comes with a pair of flange gaskets.

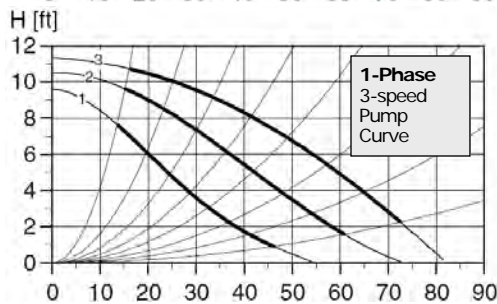
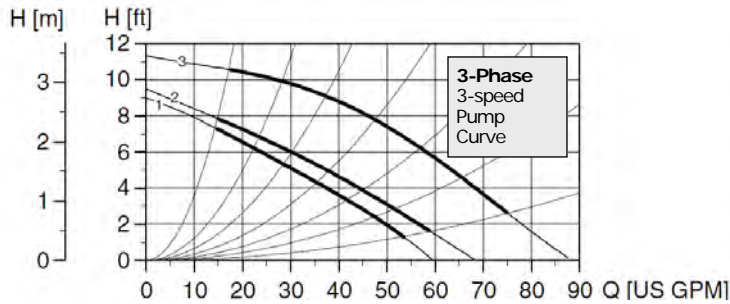
Need a complete flange set with flanges, nuts, bolts & gaskets? See adjoining ordering table.

[CLICK for Replacement Pump Head](#)

Cast Iron Product No.	Bronze Product No.	Flange Conn.	Voltage & Phase	HP	Ship Wgt, lbs.	Order No. Cast Iron	Ship Wgt, lbs.	Order No. Bronze
96402748	96402753	1½" NPT 2-bolt	115V/1	0.33	42	GN1145	47	GN1145H
96402749	96402754		230V/1		42	GN1145A	47	GN1145K
96402750	96402755		208-230/3		42	GN1145C	47	GN1145M
96402751	96402756		1 460/3		42	GN1145E	47	GN1145N
GF40/43 Flange Set as shown above			1½" NPT		2.5	GN2000	3.0	GN2005
GF40/43 Flange Gasket Only: 1 ea., GN2115								

UPS 40-40/4 Specifications

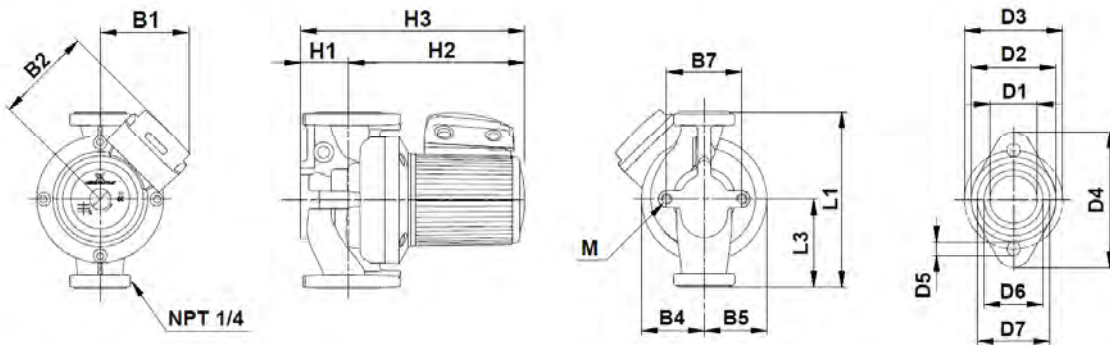
¹ 460V motors are 2-speed only.



- Flow range: 13 - 85 gpm
- Head range: 1 - 11 ft
- Motor: 4-pole 0.33 Hp
- Max. liquid temp (Open): +140 °F
- Max. liquid temp.: +248 °F
- Min. liquid temp.: +32 °F
- Max. system pressure: 145 psi
- Net wt: 37.7 lbs (17.1 kg)
- Gross wt.: 45.9 lbs (20.8 kg)
- Shipping volume: 1.70 ft³ (0.048 m³)
- Net wt. bronze: 42.1 lbs (19.1 kg)
- Gross wt. bronze: 50.3 lbs (22.8 kg)
- Shipping volume bronze: 1.70 ft³ (0.048 m³)

Electrical data, pump running Not startup

Speed	Max Amps @ Voltage			
	115	230	208-230	460
3	1.60	0.80	0.88	0.44
2	1.48	0.74	0.42	0.21
1	1.34	0.66	0.36	—



TMO2 0729 5100

Dimensions

Model	L1	L3	B1	B2	B4	B5	B7	H1	H2	H3	D1	D2	D3	D4	D5	D6	D7	M
UPS 40-40/4	[in]	13.50	6.75	5.31	5.56	3.00	3.00	4.75	2.69	9.69	12.40	1.63	2.88	3.42	5.00	0.50	2.06	2.56
	[mm]	343	171	135	141	76	76	121	68	246	315	41	73	87	127	13	52	65

Grundfos UPS 40-80/4 Pumps, 3-Speed, 1/2 HP



UPS 40-80/4
Cast iron

Features:

- Self-lubricating via pumped liquid with stainless steel impeller.
- 60 Hz, 3-speed motor: Maximum RPM, 1750
- Choose from one-phase or three-phase, 1/2 HP motors.
- Supplied with standard module in the terminal box.
- Choose from cast iron (heating) or bronze (potable water) bodies.



Flange Set Sample

Pump comes with a pair of flange gaskets.

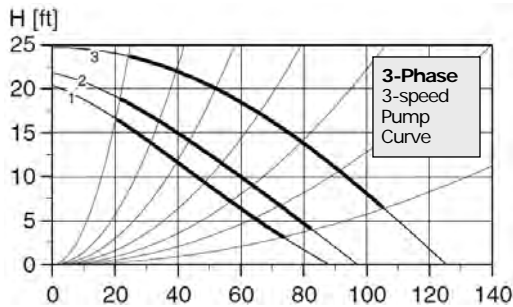
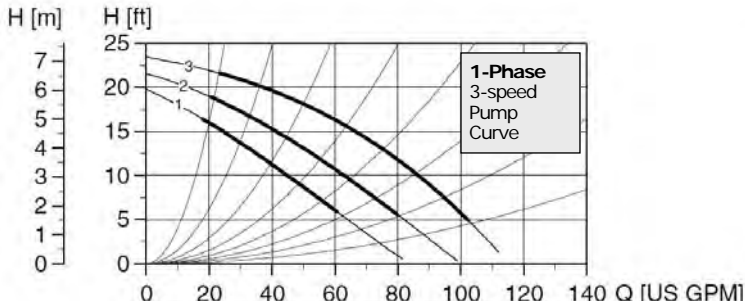
Need a complete flange set with flanges, nuts, bolts & gaskets? See adjoining ordering table.

[CLICK for Replacement Pump Head](#)

Cast Iron Product No.	Bronze Product No.	Flange Conn.	Voltage & Phase	HP	Ship Wgt, lbs.	Order No. Cast Iron	Ship Wgt, lbs.	Order No. Bronze
96404948	96404953	1 1/2" NPT 2-bolt	115V/1	0.50	62	GN1150	68	GN1150H
96404949	96404954		230V/1		63	GN1150A	68	GN1150K
96402750	96402755		208-230/3		52	GN1150C	55	GN1150M
96402751	96402756		1 460/3		52	GN1150E	55	GN1150N
GF40/43 Flange Set as shown above GF40/43 Flange Gasket Only: 1 ea., GN2115			1 1/2" NPT		2.5	GN2000	3.0	GN2005

UPS 40-80/4 Specifications

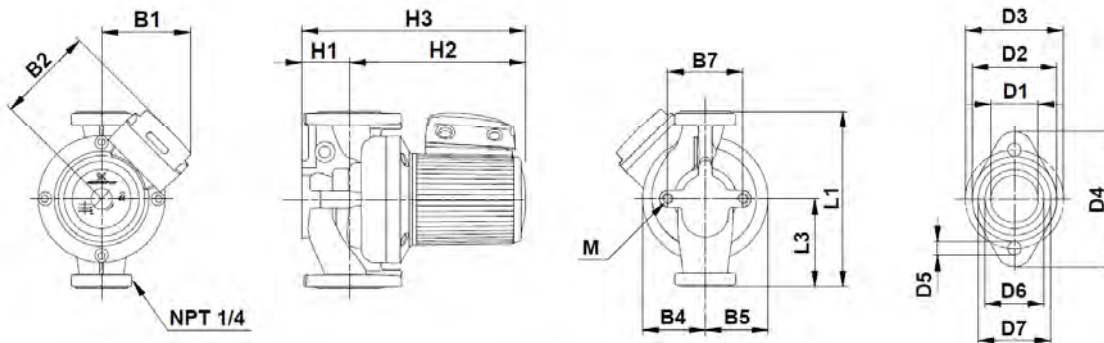
¹ 460V motors are 2-speed only.



- Flow range: 13 - 120 gpm
- Head range: 1 - 25 ft
- Motor: 4-pole 0.50 Hp
- Max. liquid temp (Open): +140 °F
- Max. liquid temp.: +248 °F
- Min. liquid temp.: +32 °F
- Max. system pressure: 145 psi
- Net wt: 57.8 lbs (26.2 kg)
- Gross wt.: 70.1 lbs (31.8 kg)
- Shipping volume: 2.90 ft³ (0.082 m³)
- Net wt. bronze: 62.2 lbs (28.2 kg)
- Gross wt. bronze: 74.5 lbs (33.8 kg)
- Shipping volume bronze: 2.90 ft³ (0.082 m³)

Electrical data, pump running Not startup

Speed	Max Amps @ Voltage			
	115	230	208-230	460
3	5.50	2.75	1.98	0.99
2	5.15	2.60	1.20	0.60
1	4.30	2.15	1.00	—



TM02 0728 5100

Dimensions

Model	L1	L3	B1	B2	B4	B5	B7	H1	H2	H3	D1	D2	D3	D4	D5	D6	D7	M
UPS 40-80/4	[in]	13.50	6.75	5.75	6.68	3.94	3.94	4.75	3.00	9.00	12.01	1.69	2.88	3.42	5.00	0.50	2.06	2.56
	[mm]	343	171	146	170	100	100	121	76	229	305	43	73	87	127	13	52	65

Grundfos UPS 40-80/2 Pumps, 3-Speed, 3/4 HP



UPS 40-80/2
Cast iron

Features:

- Self-lubricating via pumped liquid with stainless steel impeller.
- 60 Hz, 3-speed motor: Maximum RPM, 3450.
- Choose from one-phase or three-phase, 3/4 HP motors.
- Supplied with standard module in the terminal box.
- Choose from cast iron (heating) or bronze (potable water) bodies.



Flange Set Sample

Pump comes with a pair of flange gaskets.

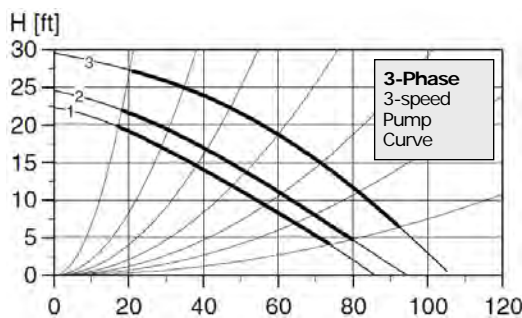
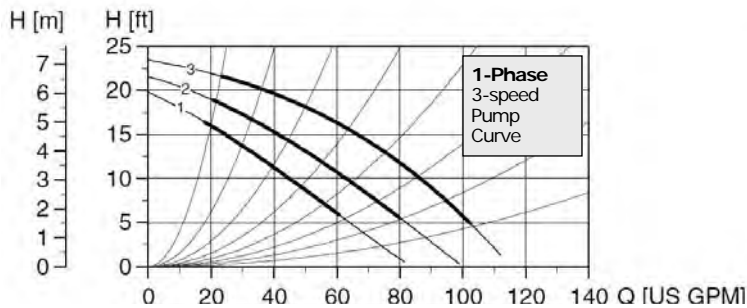
Need a complete flange set with flanges, nuts, bolts & gaskets? See adjoining ordering table.

[CLICK for Replacement Pump Head](#)

Cast Iron Product No.	Bronze Product No.	Flange Conn.	Voltage & Phase	HP	Ship Wgt, lbs.	Order No. Cast Iron	Ship Wgt, lbs.	Order No. Bronze
96402762	96402767	1 1/2" NPT 2-bolt	115V/1	0.75	42	GN1155	47	GN1155H
96402763	96402768		230V/1		42	GN1155A	47	GN1155K
96402764	96402769		208-230/3		44	GN1155C	48	GN1155M
96402765	96402770		1 460/3		42	GN1155E	48	GN1155N
GF40/43 Flange Set as shown above			1 1/2" NPT		2.5	GN2000	3.0	GN2005
GF40/43 Flange Gasket Only: 1 ea., GN2115								

UPS 40-80/2 Specifications

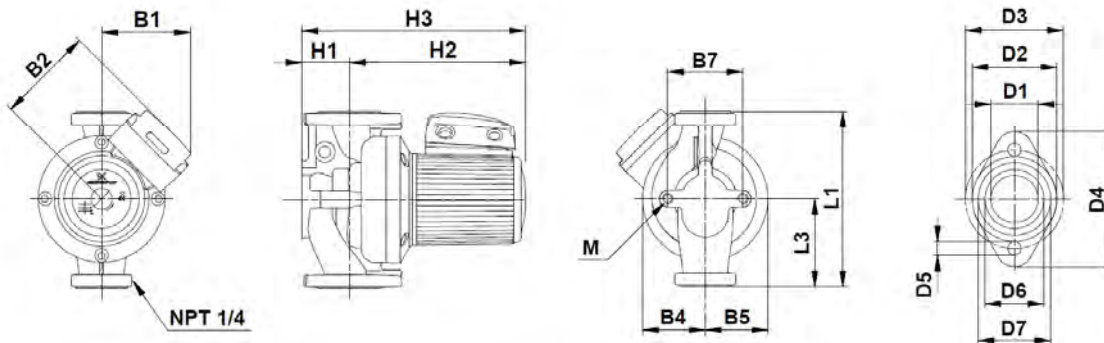
¹ 460V motors are 2-speed only.



- Flow range: 13 - 120 gpm
- Head range: 1 - 25 ft
- Motor: 4-pole 0.50 Hp
- Max. liquid temp (Open): +140 °F
- Max. liquid temp.: +248 °F
- Min. liquid temp.: +32 °F
- Max. system pressure: 145 psi
- Net wt: 57.8 lbs (26.2 kg)
- Gross wt.: 70.1 lbs (31.8 kg)
- Shipping volume: 2.90 ft³ (0.082 m³)
- Net wt. bronze: 62.2 lbs (28.2 kg)
- Gross wt. bronze: 74.5 lbs (33.8 kg)
- Shipping volume bronze: 2.90 ft³ (0.082 m³)

Electrical data, pump running Not startup

Speed	Max Amps @ Voltage			
	115	230	208-230	460
3	4.45	2.24	1.45	0.73
2	4.40	2.20	0.94	0.47
1	4.40	2.18	0.86	—



TM02 0728 5100

Dimensions

Model	L1	L3	B1	B2	B4	B5	B7	H1	H2	H3	D1	D2	D3	D4	D5	D6	D7	M
UPS 40-80/4	[in]	13.50	6.75	5.75	6.68	3.94	3.94	4.75	3.00	9.00	12.01	1.69	2.88	3.42	5.00	0.50	2.06	2.56
	[mm]	343	171	146	170	100	100	121	76	229	305	43	73	87	127	13	52	65

Grundfos UPS 40-160/2 Pumps, 3-Speed, 3/4 HP



UPS 40-160/2
Cast iron

Features:

- Self-lubricating via pumped liquid with stainless steel impeller.
- 60 Hz, 3-speed motor: Maximum RPM, 3450.
- Choose from one-phase or three-phase, 3/4 HP motors.
- Supplied with standard module in the terminal box.
- Choose from cast iron (heating) or bronze (potable water) bodies.



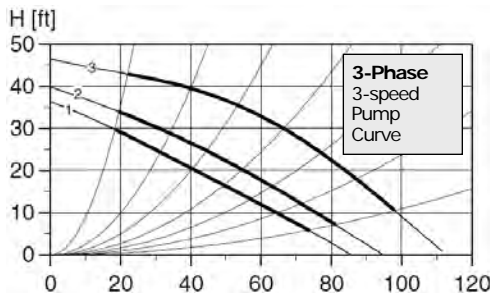
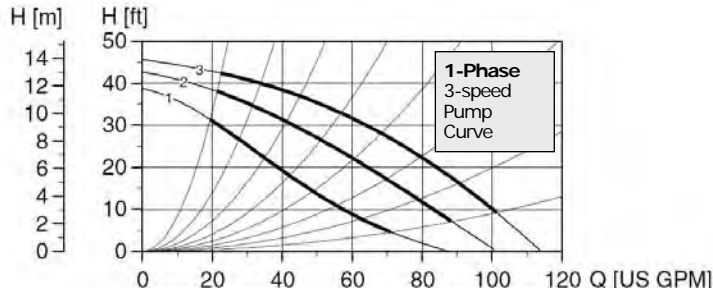
Pump comes with a pair of flange gaskets.
Need a complete flange set with flanges, nuts, bolts & gaskets? See adjoining ordering table.

[CLICK for Replacement Pump Head](#)

Cast Iron Product No.	Bronze Product No.	Flange Conn.	Voltage & Phase	HP	Ship Wgt, lbs.	Order No. Cast Iron	Ship Wgt, lbs.	Order No. Bronze
96402782	96402787	1 1/2" NPT 2-bolt	115V/1	0.75	50	GN1160	53	GN1160H
96402783	96402788		230V/1		49	GN1160A	56	GN1160K
96402784	96402789		208-230/3		48	GN1160C	53	GN1160M
96402785	96402790		1 460/3		45	GN1160E	55	GN1160N
GF40/43 Flange Set as shown above			1 1/2" NPT		2.5	GN2000	3.0	GN2005
GF40/43 Flange Gasket Only: 1 ea., GN2115								

UPS 40-160/2 Specifications

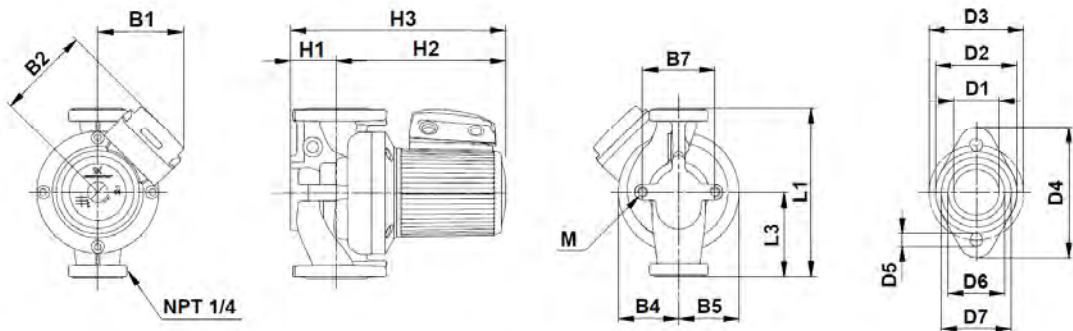
¹ 460V motors are 2-speed only.



- Flow range: 13 - 110 gpm
- Head range: 1 - 46 ft
- Motor: 2-pole 0.75 Hp
- Max. liquid temp (Open): +140 °F
- Max. liquid temp.: +248 °F
- Min. liquid temp.: +32 °F
- Max. system pressure: 145 psi
- Net wt: 43.2 lbs (19.6 kg)
- Gross wt.: 55.6 lbs (25.2 kg)
- Shipping volume: 2.90 ft³ (0.082 m³)
- Net wt. bronze: 47.6 lbs (21.6 kg)
- Gross wt. bronze: 60 lbs (27.2 kg)
- Shipping volume bronze: 2.90 ft³ (0.082 m³)

Electrical data, pump running Not startup

Speed	Max Amps @ Voltage			
	115	230	208-230	460
3	8.40	4.20	2.50	1.25
2	7.45	3.75	1.75	0.88
1	6.95	3.45	1.55	—



TM02 0729 5100

Dimensions

Model	L1	L3	B1	B2	B4	B5	B7	H1	H2	H3	D1	D2	D3	D4	D5	D6	D7	M
UPS 40-160/2	[In]	11.50	5.75	5.75	6.68	3.94	3.94	3.19	2.31	9.00	11.69	1.69	2.88	3.42	5.00	0.50	2.06	2.56
	[mm]	292	146	146	170	100	100	81	59	229	297	43	73	87	127	13	52	65

Grundfos UPS 40-240/2 Pumps, 3-Speed, 1 1/2 HP



UPS 40-240/2
Cast iron

Features:

- Self-lubricating via pumped liquid with stainless steel impeller.
- 60 Hz, 3-speed motor: Maximum RPM, 3450.
- Choose from one-phase or three-phase, 1 1/2 HP motors.
- Supplied with standard module in the terminal box.
- Choose from cast iron (heating) or bronze (potable water) bodies.



Flange Set Sample

Pump comes with a pair of flange gaskets.

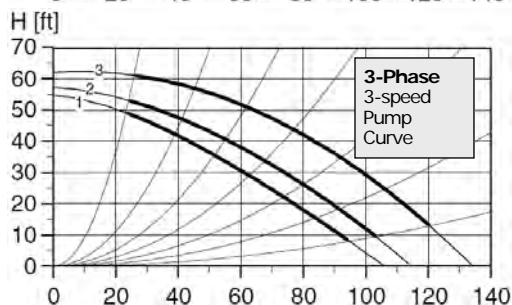
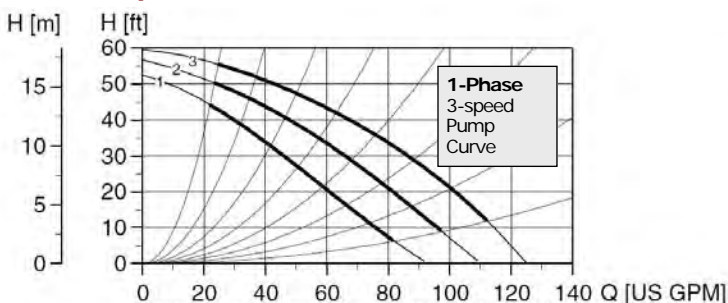
Need a complete flange set with flanges, nuts, bolts & gaskets? See adjoining ordering table.

[CLICK for Replacement Pump Head](#)

Cast Iron Product No.	Bronze Product No.	Flange Conn.	Voltage & Phase	HP	Ship Wgt, lbs.	Order No. Cast Iron	Ship Wgt, lbs.	Order No. Bronze
—	—	1 1/2" NPT 2-bolt	115V/1	1.50	—	—	—	—
96402797	96402804		230V/1		63	GN1165	69	GN1165E
96402798	96402805		208-230/3		57	GN1165A	61	GN1165H
96402799	96402807		1 460/3		57	GN1165C	63	GN1165K
GF40/43 Flange Set as shown above			1 1/2" NPT		2.5	GN2000	3.0	GN2005
GF40/43 Flange Gasket Only: 1 ea., GN2115								

UPS 40-240/2 Specifications

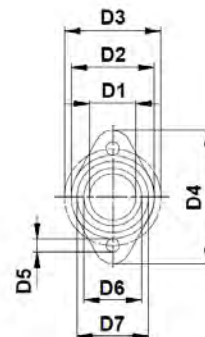
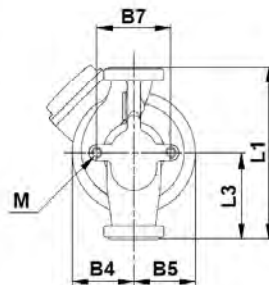
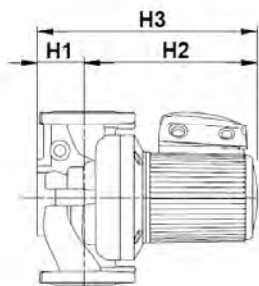
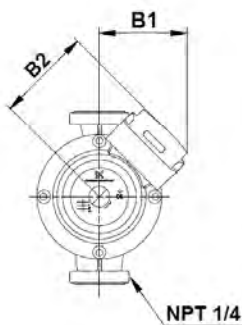
¹ 460V motors are 2-speed only.



- Flow range: 13 - 130 gpm
- Head range: 1 - 62 ft
- Motor: 2-pole 1.5 Hp
- Max. liquid temp (Open): +140 °F
- Max. liquid temp.: +248 °F
- Min. liquid temp.: +32 °F
- Max. system pressure: 145 psi
- Net wt: 54.0 lbs (24.5 kg)
- Gross wt.: 66.4 lbs (30.1 kg)
- Shipping volume: 2.90 ft³ (0.082 m³)
- Net wt. bronze: 58.4 lbs (26.5 kg)
- Gross wt. bronze: 70.8 lbs 32.1 kg)
- Shipping volume bronze: 2.90 ft³ (0.082 m³)

Electrical data, pump running Not startup

Speed	Max Amps @ Voltage			
	115	230	208-230	460
3	—	6.20	4.50	1.80
2	—	5.55	3.25	1.30
1	—	5.15	2.95	—



TM02 0728 5100

Dimensions

Model	L1	L3	B1	B2	B4	B5	B7	H1	H2	H3	D1	D2	D3	D4	D5	D6	D7	M
UPS 40-240/2	[in]	13.50	3.75	5.75	6.68	4.00	4.00	3.19	2.69	11.06	13.96	1.69	2.88	3.42	5.00	0.50	2.06	2.56
	[mm]	343	95	146	170	102	102	81	68	281	355	43	73	87	127	13	52	65

Grundfos UPS 50-40/4 Pumps, 3-Speed, 1/3 HP

UPS 50-40/4 Cast iron



Pump comes with a pair of flange gaskets.
Need a complete flange set with flanges, nuts, bolts & gaskets? See adjoining ordering table.

[CLICK for Replacement Pump Head](#)

Features:

- Self-lubricating via pumped liquid with stainless steel impeller.
- 60 Hz, 3-speed motor: Maximum RPM, 1750
- Choose from one-phase or three-phase, 0.33 HP motors.
- Supplied with standard module in the terminal box.
- Choose from cast iron (heating) or bronze (potable water) bodies.

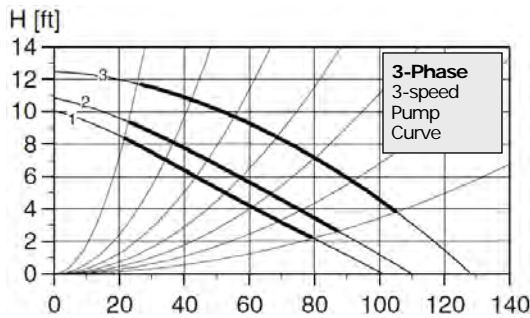
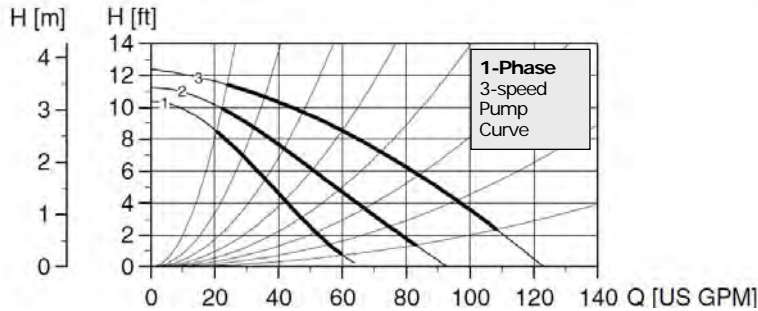


Flange Set

Cast Iron Product No.	Bronze Product No.	Flange Conn.	Voltage & Phase	HP	Ship Wgt, lbs.	Order No. Cast Iron	Ship Wgt, lbs.	Order No. Bronze
96402814	96402819	2" NPT 4-bolt	115V/1	0.33	52	GN1170	58	GN1170H
96402815	96402820		230V/1		52	GN1170A	58	GN1170K
96402816	96402821		208-230/3		52	GN1170C	58	GN1170M
96402817	96402822		1460/3		52	GN1170E	58	GN1170N
GF50 Flange Set includes flanges, gaskets, nuts & bolts. GF50 Flange Gasket Only: 1 ea., GN2120			2" NPT		6.5	GN2075	6.3	GN2080

UPS 50-40/4 Specifications

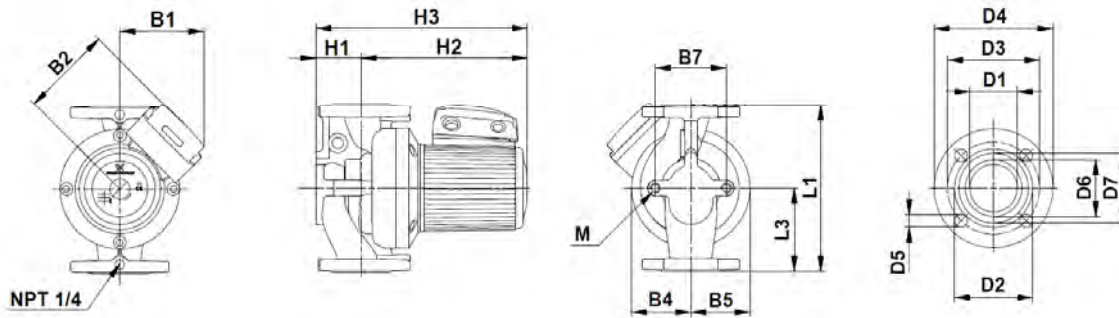
¹ 460V motors are 2-speed only.



- Flow range: 20 - 125 gpm
- Head range: 1 - 12 ft
- Motor: 4-pole 0.33 Hp
- Max. liquid temp (Open): +140 °F
- Max. liquid temp.: +248 °F
- Min. liquid temp.: +32 °F
- Max. system pressure: 145 psi
- Net wt: 43.7 lbs (19.8 kg)
- Gross wt.: 51.8 lbs (23.5 kg)
- Shipping volume: 2.90 ft³ (0.082 m³)
- Net wt. bronze: 53.6 lbs (24.3 kg)
- Gross wt. bronze: 61.7 lbs (28.0 kg)
- Shipping volume bronze: 2.90 ft³ (0.082 m³)

Electrical data, pump running Not startup

Speed	Max Amps @ Voltage			
	115	230	208-230	460
3	2.66	1.32	1.40	0.70
2	2.60	1.30	0.66	0.33
1	2.20	1.10	0.54	—



TM02 0730 5100

Dimensions

Model	L1	L3	B1	B2	B4	B5	B7	H1	H2	H3	D1	D2	D3	D4	D5	D6	D7	M
UPS 50-40/4	[in]	14.00	7.00	5.31	5.56	3.56	3.00	4.75	3.25	10.13	13.08	2.13	3.44	4.05	5.25	0.55	2.50	3.06
	[mm]	356	178	135	141	90	76	121	83	257	332	54	87	103	133	14	64	78

Grundfos UPS 50-80/4 Pumps, 3-Speed, 3/4 HP

UPS 50-80/4 Cast iron



Pump comes with a pair of flange gaskets.

Need a complete flange set with flanges, nuts, bolts & gaskets? See adjoining ordering table.

[CLICK for Replacement Pump Head](#)

Features:

- Self-lubricating via pumped liquid with stainless steel impeller.
- 60 Hz, 3-speed motor: Maximum RPM, 1750
- Choose from one-phase or three-phase, 3/4 HP motors.
- Supplied with standard module in the terminal box.
- Choose from cast iron (heating) or bronze (potable water) bodies.

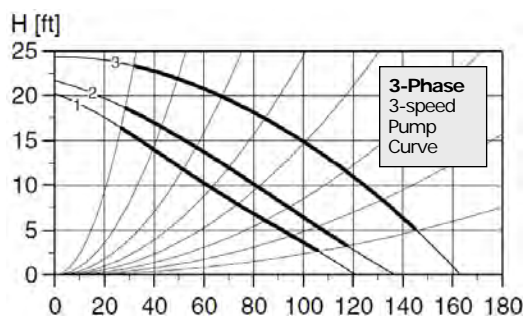
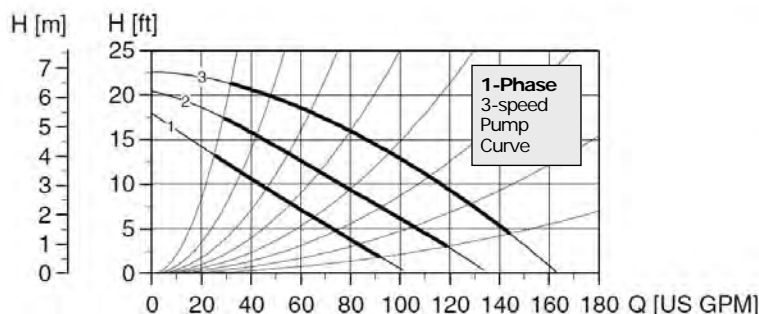


Flange Kit

Cast Iron Product No.	Bronze Product No.	Flange Conn.	Voltage & Phase	HP	Ship Wgt, lbs.	Order No. Cast Iron	Ship Wgt, lbs.	Order No. Bronze
96404958	96404963	2" NPT 4-bolt	115V/1	0.75	65	GN1175	69	GN1175H
96404959	96404964		230V/1		65	GN1175A	69	GN1175K
96404960	96404965		208-230/3		59	GN1175C	71	GN1175M
96404961	96404966		1460/3		61	GN1175E	64	GN1175N
GF50 Flange Set includes flanges, gaskets, nuts & bolts.			2" NPT		6.5	GN2075	6.3	GN2080
GF50 Flange Gasket Only: 1 ea., GN2120								

¹ 460V motors are 2-speed only.

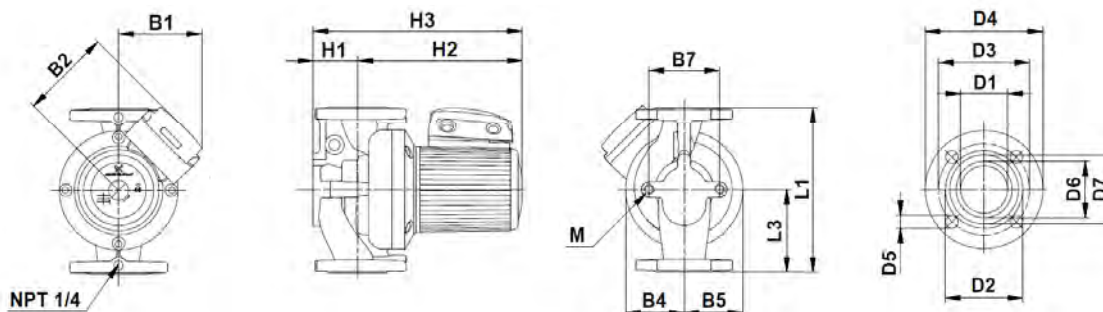
UPS 50-80/4 Specifications



- Flow range: 20 - 160 gpm
- Head range: 1 - 24 ft
- Motor: 4-pole 0.75 Hp
- Max. liquid temp (Open): +140 °F
- Max. liquid temp.: +248 °F
- Min. liquid temp.: +32 °F
- Max. system pressure: 145 psi
- Net wt: 60.2 lbs (27.3 kg)
- Gross wt.: 72.5 lbs (32.9 kg)
- Shipping volume: 2.90 ft³ (0.082 m³)
- Net wt. bronze: 66.8 lbs (30.3 kg)
- Gross wt. bronze: 79.1 lbs (35.9 kg)
- Shipping volume bronze: 2.90 ft³ (0.082 m³)

Electrical data, pump running Not startup

Speed	Max Amps @ Voltage			
	115	230	208-230	460
3	7.55	3.80	2.44	1.22
2	6.85	3.40	1.44	0.72
1	5.15	2.60	1.24	—



TM02 0730 5100

Dimensions

Model	L1	L3	B1	B2	B4	B5	B7	H1	H2	H3	D1	D2	D3	D4	D5	D6	D7	M
UPS 50-80/4	[in]	11.50	7.00	5.75	6.68	4.38	3.94	4.75	3.25	10.88	14.23	2.13	3.44	3.44	5.25	0.55	2.50	3.06
	[mm]	292	178	146	170	111	100	121	83	276	361	54	87	87	133	14	64	78

Grundfos UPS 50-80/2 Pumps, 3-Speed, 3/4 HP

UPS 50-80/2 Cast iron



Pump comes with a pair of flange gaskets.
Need a complete flange set with flanges, nuts, bolts & gaskets? See adjoining ordering table.

[CLICK for Replacement Pump Head](#)

Features:

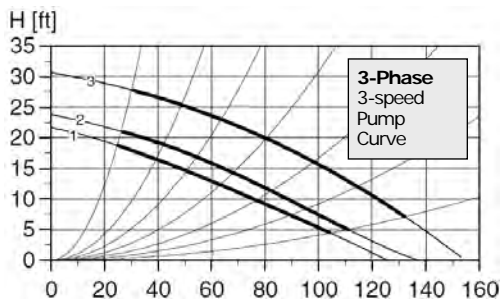
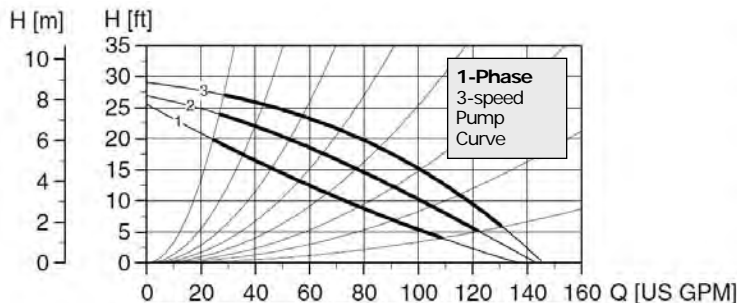
- Self-lubricating via pumped liquid with stainless steel impeller.
- 60 Hz, 3-speed motor: Maximum RPM, 3450.
- Choose from one-phase or three-phase, 3/4 HP motors.
- Supplied with standard module in the terminal box.
- Choose from cast iron (heating) or bronze (potable water) bodies.



Flange Set

Cast Iron Product No.	Bronze Product No.	Flange Conn.	Voltage & Phase	HP	Ship Wgt, lbs.	Order No. Cast Iron	Ship Wgt, lbs.	Order No. Bronze
96402834	96402843	2" NPT 4-bolt	115V/1	0.75	50	GN1180	57	GN1180H
96402836	96402844		230V/1		50	GN1180A	57	GN1180K
96402838	96402845		208-230/3		50	GN1180C	58	GN1180M
96402840	96402846		1460/3		50	GN1180E	58	GN1180N
GF50 Flange Set includes flanges, gaskets, nuts & bolts.				2" NPT	6.5	GN2075	6.3	GN2080
GF50 Flange Gasket Only: 1 ea., GN2120								

UPS 50-80/2 Specifications

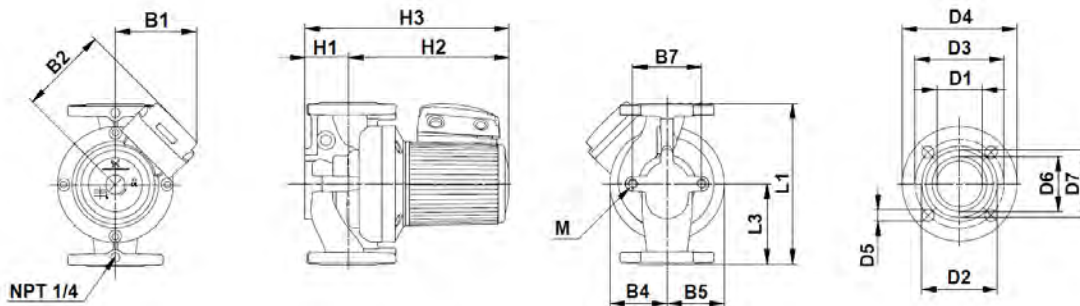


¹ 460V motors are 2-speed only.

- Flow range: 20 - 150 gpm
- Head range: 1 - 30 ft
- Motor: 2-pole 0.75 Hp
- Max. liquid temp (Open): +140 °F
- Max. liquid temp.: +248 °F
- Min. liquid temp.: +32 °F
- Max. system pressure: 145 psi
- Net wt: 46.7 lbs (21.2 kg)
- Gross wt.: 54.2 lbs (24.6 kg)
- Shipping volume: 2.90 ft³ (0.082 m³)
- Net wt. bronze: 52.2 lbs (27.3 kg)
- Gross wt. bronze: 59.7 lbs (27.1 kg)
- Shipping volume bronze: 2.90 ft³ (0.082 m³)

Electrical data, pump running Not startup

Speed	Max Amps @ Voltage			
	115	230	208-230	460
3	5.85	2.95	1.92	0.96
2	5.80	2.90	1.20	0.60
1	5.70	2.85	1.08	—



TM02 0730 5100

Dimensions

Model	L1	L3	B1	B2	B4	B5	B7	H1	H2	H3	D1	D2	D3	D4	D5	D6	D7	M
UPS 50-80/2	[In]	11.5	7.00	5.31	5.56	3.75	3.00	4.75	3.00	9.88	12.86	2.13	3.44	4.06	5.25	0.55	2.50	3.06
	[mm]	292	178	135	141	95	76	121	76	251	327	54	87	103	133	14	64	78

Grundfos UPS 50-160/2 Pumps, 3-Speed, 1½ HP

UPS 50-160/2 Cast iron



Pump comes with a pair of flange gaskets.

Need a complete flange set with flanges, nuts, bolts & gaskets? See adjoining ordering table.

[CLICK for Replacement Pump Head](#)

Features:

- Self-lubricating via pumped liquid with stainless steel impeller.
- 60 Hz, 3-speed motor: Maximum RPM, 3450.
- Choose from one-phase or three-phase, 1½ HP motors.
- Supplied with standard module in the terminal box.
- Choose from cast iron (heating) or bronze (potable water) bodies.

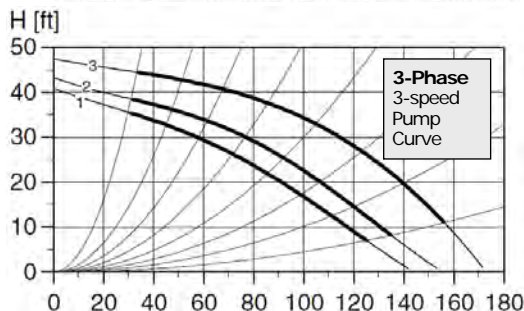
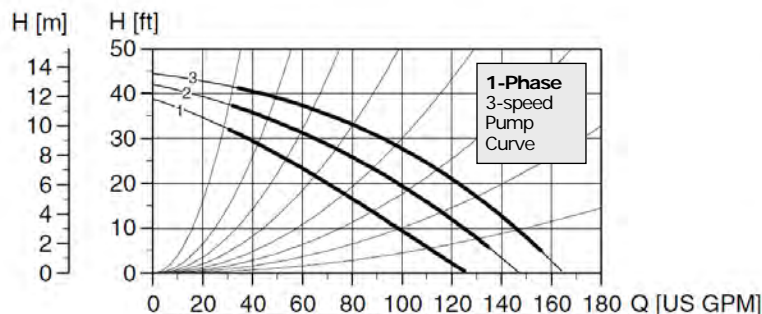


Flange Set

Cast Iron Product No.	Bronze Product No.	Flange Conn.	Voltage & Phase	HP	Ship Wgt, lbs.	Order No. Cast Iron	Ship Wgt, lbs.	Order No. Bronze
—	—	—	—	—	—	—	—	—
96411613	96411614	2" NPT	230V/1	1.50	67	GN1185	72	GN1185E
96402860	96402866	4-bolt	208-230/3		61	GN1185A	66	GN1185H
96402861	96402868		1460/3		61	GN1185C	65	GN1185K
GF50 Flange Set includes flanges, gaskets, nuts & bolts.				2" NPT	6.5	GN2075	6.3	GN2080
GF50 Flange Gasket Only: 1 ea., GN2120								

UPS 50-160/2 Specifications

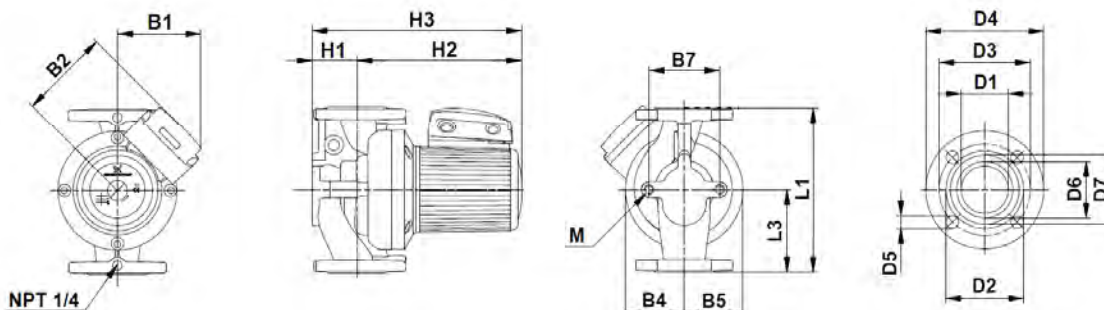
¹ 460V motors are 2-speed only.



- Flow range: 20 - 170 gpm
- Head range: 1 - 46 ft
- Motor: 2-pole 1.50 Hp
- Max. liquid temp (Open): +140 °F
- Max. liquid temp.: +248 °F
- Min. liquid temp.: +32 °F
- Max. system pressure: 145 psi
- Net wt: 53.6 lbs (24.3 kg)
- Gross wt.: 65.9 lbs (29.9 kg)
- Shipping volume: 2.90 ft³ (0.082 m³)
- Net wt. bronze: 68.3 lbs (31.0 kg)
- Gross wt. bronze: 80.7 lbs (36.6 kg)
- Shipping volume bronze: 2.90 ft³ (0.082 m³)

Electrical data, pump running Not startup

Speed	Max Amps @ Voltage			
	115	230	208-230	460
3	—	5.80	4.00	2.00
2	—	5.20	3.00	1.50
1	—	4.85	2.75	—



TM02 0730 5100

Dimensions

Model	L1	L3	B1	B2	B4	B5	B7	H1	H2	H3	D1	D2	D3	D4	D5	D6	D7	M
UPS 50-160/2	[in]	14.00	7.00	5.75	6.68	3.94	3.94	4.75	3.00	10.81	13.78	2.13	3.44	4.05	5.25	0.55	2.50	3.06
	[mm]	356	178	146	170	100	100	121	76	275	350	54	87	103	133	14	64	78

Grundfos UPS 50-240/2 Pumps, 3-Speed, 2 HP

UPS 50-240/2 Cast iron



Pump comes with a pair of flange gaskets.

Need a complete flange set with flanges, nuts, bolts & gaskets? See adjoining ordering table.

[CLICK for Replacement Pump Head](#)

Features:

- Self-lubricating via pumped liquid with stainless steel impeller.
- 60 Hz, 3-speed motor: Maximum RPM, 3450.
- Three-phase, 2 HP motors: 208-230V or 460V.
- Supplied with standard module in the terminal box.
- Choose from cast iron (heating) or bronze (potable water) bodies.

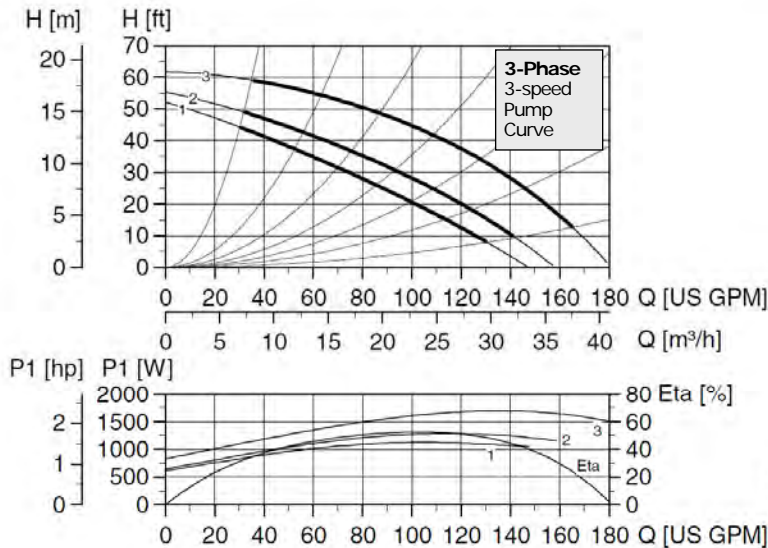


Flange Set

Cast Iron Product No.	Bronze Product No.	Flange Conn.	Voltage & Phase	HP	Ship Wgt, lbs.	Order No. Cast Iron	Ship Wgt, lbs.	Order No. Bronze
—	—	2" NPT 4-bolt	—	2.00	—	—	—	—
—	—		—		—	—	—	—
96402882	96402885		208-230/3		65	GN1187	72	GN1187C
96402883	96402886	460/3	66	GN1187A	72	GN1187E		
GF50 Flange Set includes flanges, gaskets, nuts & bolts.			2" NPT		6.5	GN2075	6.3	GN2080
GF50 Flange Gasket Only: 1 ea., GN2120								

UPS 50-240/2 Specifications

¹ 460V motors are 2-speed only.

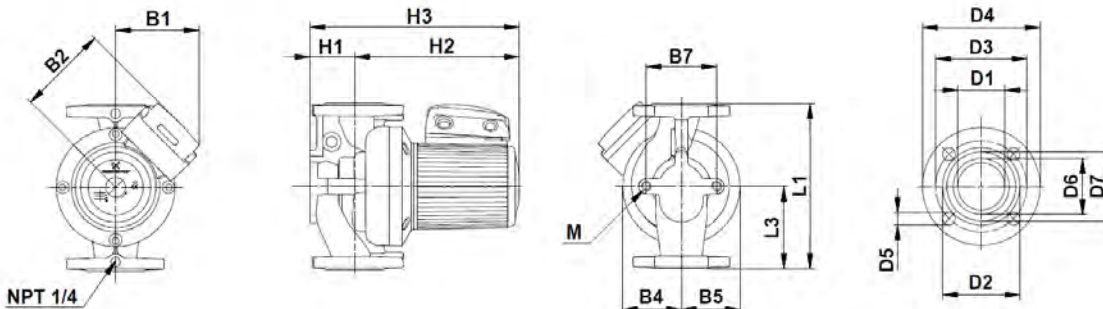


- Flow range: 20 - 180 gpm
- Head range: 1 - 62 ft
- Motor: 2-pole 2.00 Hp
- Max. liquid temp (Open): +140 °F
- Max. liquid temp.: +248 °F
- Min. liquid temp.: +32 °F
- Max. system pressure: 145 psi
- Net wt: 60.6 lbs (27.5 kg)
- Gross wt.: 73.0 lbs (33.1 kg)
- Shipping volume: 2.90 ft³ (0.082 m³)
- Net wt. bronze: 67.2 lbs (30.5 kg)
- Gross wt. bronze: 79.6 lbs (36.1 kg)
- Shipping volume bronze: 2.90 ft³ (0.082 m³)

Electrical data, pump running Not startup

Speed	Max Amps @ Voltage			
	115	230	208-230	460
3	—	—	5.80	2.12
2	—	—	3.95	1.98
1	—	—	3.50	—

Note: ETA is calculated as wire-to-water efficiency.



Dimensions

Model	L1	L3	B1	B2	B4	B5	B7	H1	H2	H3	D1	D2	D3	D4	D5	D6	D7	M
UPS 50-240/2	[in]	14.00	7.00	5.75	6.68	3.75	2.94	4.75	2.94	9.88	13.78	2.06	4.19	5.00	6.00	0.55	3.50	4.00
	[mm]	356	178	146	170	95	75	121	75	251	350	52	106	127	152	14	89	102

Grundfos UPS 53-55/57F Pumps, 3-Speed, 3/4 HP



UPS 53-55/57
Cast iron

Pump comes with a pair of flange gaskets.

Need a set of flanges with gaskets, nuts and bolts? See order table.

[CLICK for Replacement Pump Head](#)

UPS 53-55/57 Specs.

Features:

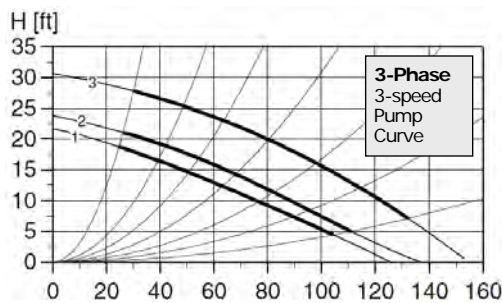
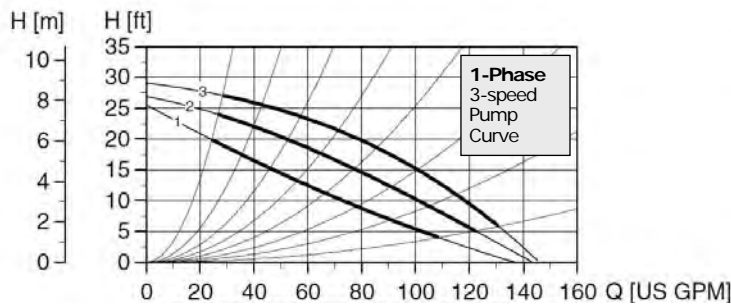
- Self-lubricating via pumped liquid with stainless steel impeller.
- 60 Hz, 3-speed motor to select the most efficient operation.
- Choose from one-phase or three-phase, 3/4 HP motors.
- Supplied with standard module in the terminal box.
- Choose from cast iron (heating) or bronze (potable water) bodies.



Flange Set See below

Cast Iron Product No.	Bronze Product No.	Flange Conn.	Voltage & Phase	HP	Ship Wgt, lbs.	Order No. Cast Iron	Ship Wgt, lbs.	Order No. Bronze
96654373	96654392	Varies, see below	115/1	0.75	50	GN1190	58	GN1190H
96654374	96654393		230/1		50	GN1190A	58	GN1190K
96654375	96654394		208-230/3		50	GN1190C	58	GN1190M
96654376	96654395		1460/3		50	GN1190E	58	GN1190N
GF53 Flange Set includes flanges, gaskets, nuts & bolts.			2" NPT		12.0	GN2010	12.0	GN2025
GF53 Flange Gasket Only: 1 ea., GN2125			2½" NPT		12.0	GN2015	12.0	GN2030
			3" NPT		12.0	GN2020	12.0	GN2035

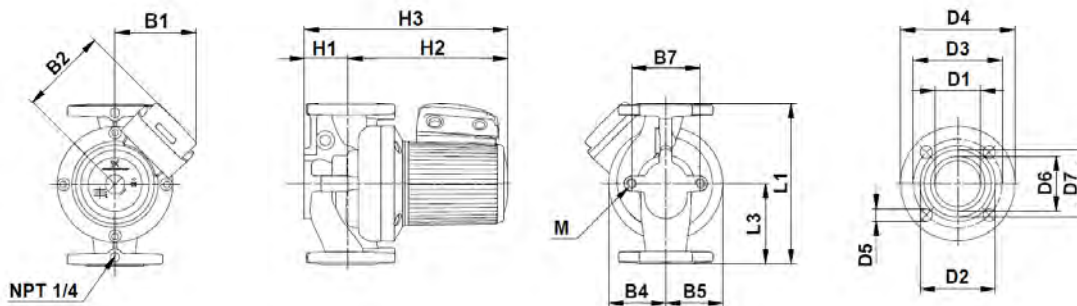
1 460V motors are 2-speed only.



- Flow range: 20 - 150 gpm
- Head range: 1 - 30 ft
- Motor: 4-pole 0.75 Hp
- Max. liquid temp (Open): +140 °F
- Max. liquid temp.: +248 °F
- Min. liquid temp.: +32 °F
- Max. system pressure: 145 psi
- Net wt: 46.7 lbs (21.2 kg)
- Gross wt.: 54.2 lbs (24.6 kg)
- Shipping volume: 2.10 ft³ (0.06 m³)
- Net wt. bronze: 52.2 lbs (23.7 kg)
- Gross wt. bronze: 59.7 lbs (27.1 kg)
- Shipping volume bronze: 2.10 ft³ (0.06 m³)

Electrical data, pump running Not startup

Speed	Max Amps @ Voltage			
	115	230	208-230	460
3	5.85	2.95	1.92	0.96
2	5.80	2.85	1.20	0.60
1	5.70	2.80	1.08	—



Dimensions

Model	L1	L3	B1	B2	B4	B5	B7	H1	H2	H3	D1	D2	D3	D4	D5	D6	D7	M
UPS 53-55/57	[in]	11.88	5.94	5.31	5.56	3.75	2.94	4.75	2.94	9.88	12.86	2.06	4.19	5.00	6.00	0.63	3.50	4.00
	[mm]	302	151	135	141	95	75	121	75	251	327	52	106	127	152	16	89	102

TM02 0730 5100

Grundfos UPS 75-69F/2 Pumps, 3-Speed, 1 1/2 HP



UPS 75-69/2
Cast iron

Pump comes with a pair of flange gaskets.

Need a set of flanges with gaskets, nuts and bolts? See order table.

[CLICK for Replacement Pump Head](#)

Features:

- Self-lubricating via pumped liquid with stainless steel impeller.
- 60 Hz, 3-speed motor: Maximum RPM, 3450.
- Choose from one-phase or three-phase, 1 1/2 HP motors.
- Supplied with standard module in the terminal box.
- Choose from cast iron (heating) or bronze (potable water) bodies.

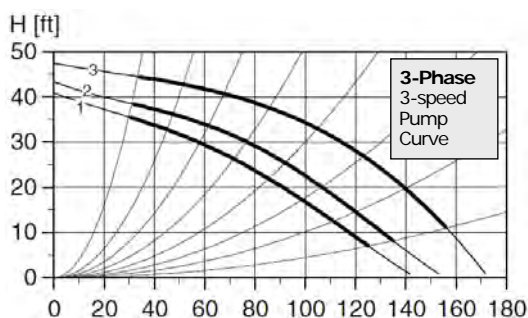
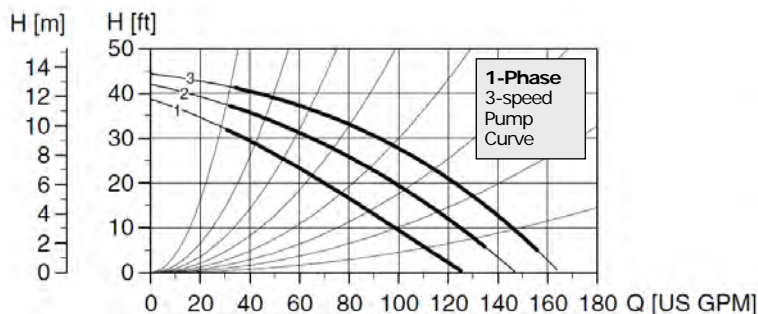


Flange Set See below

Cast Iron Product No.	Bronze Product No.	Flange Conn.	Voltage & Phase	HP	Ship Wgt, lbs.	Order No. Cast Iron	Ship Wgt, lbs.	Order No. Bronze
—	—	3" NPT ANSI 4-bolt	115/1	1.50	—	—	—	—
96654378	96654397		230/1		67	GN1195	72	GN1195E
96654379	96654399		208-230/3		61	GN1195A	66	GN1195H
96654391	96654400		1460/3		61	GN1195C	65	GN1195K
GF80 Flange Set includes flanges, gaskets, nuts & bolts.			3" NPT		19.0	GN2085	20.0	GN2090
GF80 Flange Gasket Only: 1 ea., GN2135								

¹ 460V motors are 2-speed only.

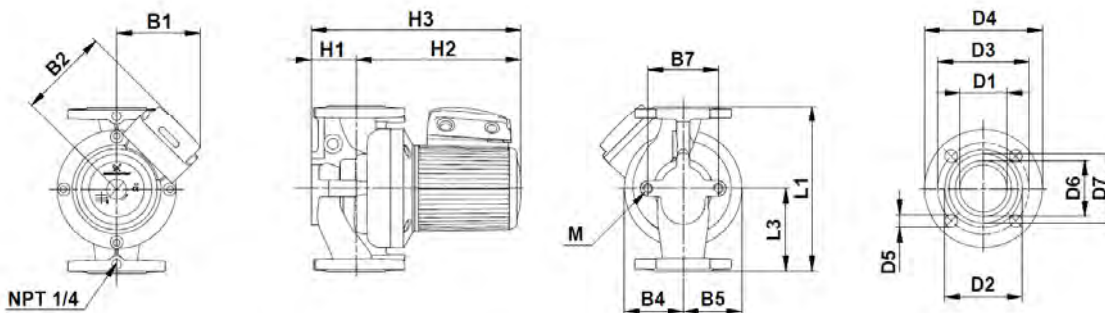
UPS 75-69/2 Specifications



- Flow range: 20 - 170 gpm
- Head range: 1 - 46 ft
- Motor: 2-pole 1.25 Hp
- Max. liquid temp (Open): +140 °F
- Max. liquid temp.: +248 °F
- Min. liquid temp.: +32 °F
- Max. system pressure: 145 psi
- Net wt: 53.6 lbs (24.3 kg)
- Gross wt.: 65.7 lbs (29.8 kg)
- Shipping volume: 3.50 ft³ (0.098 m³)
- Net wt. bronze: 68.3 lbs (31.0 kg)
- Gross wt. bronze: 80.5 lbs (36.5 kg)
- Shipping volume bronze: 3.50 ft³ (0.098 m³)

Electrical data, pump running Not startup

Speed	Max Amps @ Voltage			
	115	230	208-230	460
3	—	5.80	4.00	2.00
2	—	5.20	3.00	1.50
1	—	4.85	2.75	—



TM02 0730 5100

Dimensions

Model	L1	L3	B1	B2	B4	B5	B7	H1	H2	H3	D1	D2	D3	D4	D5	D6	D7	M
UPS 75-69/2	[in]	14.25	7.13	5.69	6.68	3.94	3.94	4.50	2.94	10.81	13.78	2.94	4.31	6.00	7.50	0.75	6.50	4.00
	[mm]	362	181	145	170	100	100	114	75	275	350	75	109	152	191	19	165	102

Grundfos UPS 80-40/4 Pumps, 3-Speed, 1/2 HP



UPS 80-40/4
Cast iron

Pump comes with a pair of flange gaskets.

Need a complete flange set with flanges, nuts, bolts & gaskets? See adjoining ordering table.

[CLICK for Replacement Pump Head](#)

Features:

- Self-lubricating via pumped liquid with stainless steel impeller.
- 60 Hz, 3-speed motor: Maximum RPM, 1750
- Three phase, 1/2 HP motors: 208-230V or 460V.
- Supplied with standard module in the terminal box.
- Choose from cast iron (heating) or bronze (potable water) bodies.

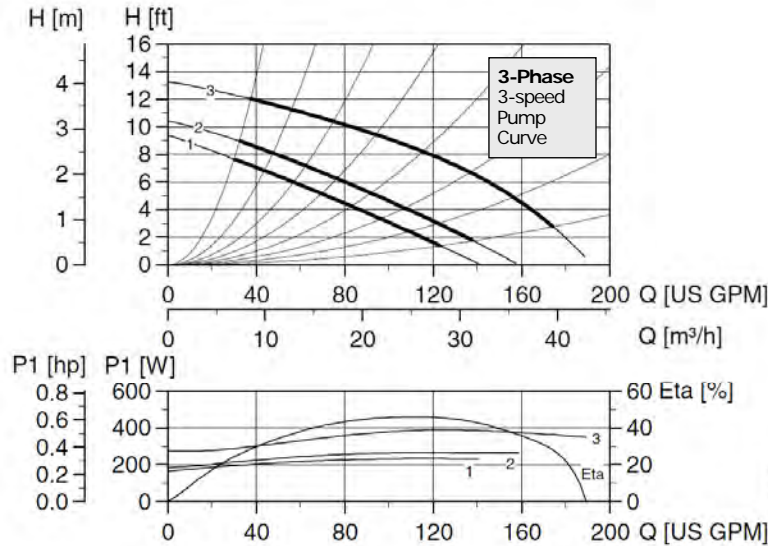


Flange Set

Cast Iron Product No.	Bronze Product No.	Flange Conn.	Voltage & Phase	HP	Ship Wgt, lbs.	Order No. Cast Iron	Ship Wgt, lbs.	Order No. Bronze
—	—	3" NPT ANSI 4-bolt	115/1	0.50	—	—	—	—
—	—		230/1		—	—	—	—
96402894	96402899		208-230/3		89	GN1200	100	GN1200C
96402895	96402900		1460/3		89	GN1200A	100	GN1200E
GF80 Flange Set includes flanges, gaskets, nuts & bolts. GF80 Flange Gasket Only: 1 ea., GN2135			3" NPT ANSI		19.0	GN2085	20.0	GN2090

¹ 460V motors are 2-speed only.

UPS 80-40/4 Specifications

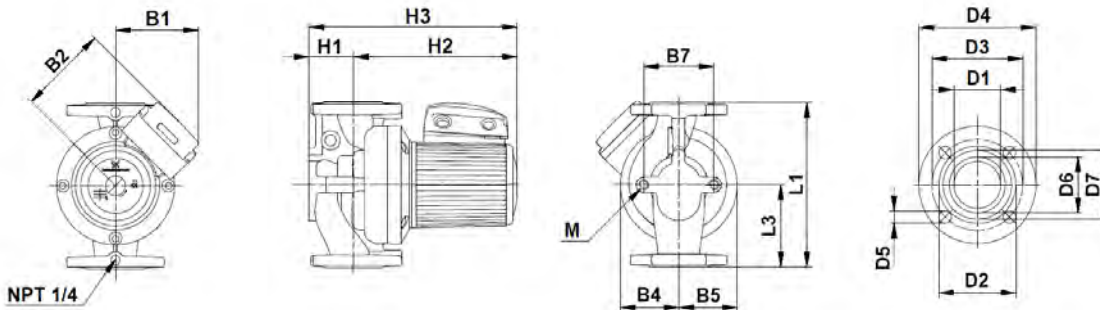


- Flow range: 30 - 200 gpm
- Head range: 1 - 13 ft
- Motor: 4-pole 0.5 Hp
- Max. liquid temp (Open): +140 °F
- Max. liquid temp.: +248 °F
- Min. liquid temp.: +32 °F
- Max. system pressure: 145 psi
- Net wt: 78.7 lbs (35.7 kg)
- Gross wt.: 9.1 lbs (41.3 kg)
- Shipping volume: 2.90 ft³ (0.082 m³)
- Net wt. bronze: 91.9 lbs (41.7 kg)
- Gross wt. bronze: 104.3 lbs (47.3 kg)
- Shipping volume bronze: 2.90 ft³ (0.082 m³)

Electrical data, pump running Not startup

Speed	Max Amps @ Voltage			
	115	230	208-230	460
3	—	—	1.62	0.81
2	—	—	0.87	0.44
1	—	—	0.77	—

Note: ETA is calculated as wire-to-water efficiency.



Dimensions

Model	L1	L3	B1	B2	B4	B5	B7	H1	H2	H3	D1	D2	D3	D4	D5	D6	D7	M
UPS 80-80/4	[in]	19.00	9.50	5.75	6.68	4.94	3.94	6.31	3.81	11.25	15.15	3.19	5.00	6.00	7.56	0.75	—	—
	[mm]	483	241	146	170	125	100	160	97	286	385	81	127	152	192	19	—	—

Grundfos UPS 80-80/4 Pumps, 3-Speed, 1 1/2 HP



UPS 80-80/4
Cast iron

Pump comes with a pair of flange gaskets.

Need a complete flange set with flanges, nuts, bolts & gaskets? See adjoining ordering table.

[CLICK for Replacement Pump Head](#)

Features:

- Self-lubricating via pumped liquid with stainless steel impeller.
- 60 Hz, 3-speed motor: Maximum RPM, 1750
- Three phase, 1 1/2 HP motors: 208-230 volt, 3-phase operation.
- Supplied with standard module in the terminal box.
- Choose from cast iron (heating) or bronze (potable water) bodies.

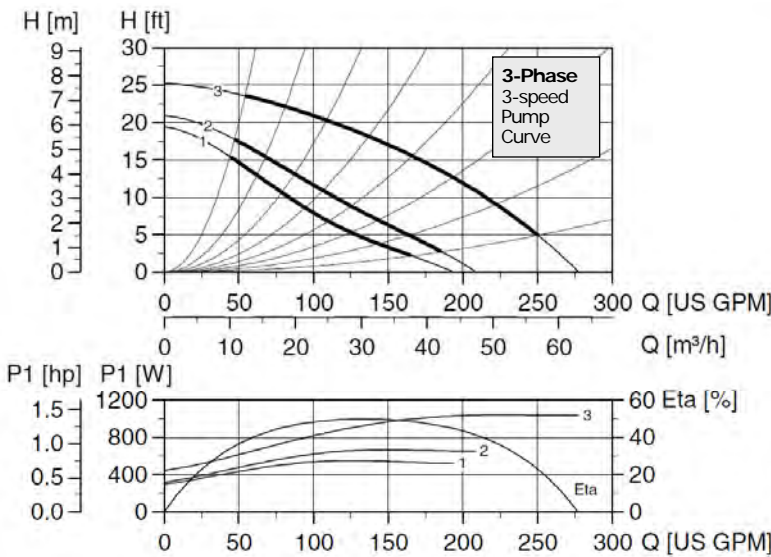


Flange Set

Cast Iron Product No.	Bronze Product No.	Flange Conn.	Voltage & Phase	HP	Ship Wgt, lbs.	Order No. Cast Iron	Ship Wgt, lbs.	Order No. Bronze
—	—	3" NPT ANSI 4-bolt	115/1	1.50	—	—	—	—
—	—		230/1		—	—	—	—
96402908	96402913		208-230/3		94	GN1201	108	GN1201A
—	—		1460/3		—	—	—	—
GF80 Flange Set includes flanges, gaskets, nuts & bolts. GF80 Flange Gasket Only: 1 ea., GN2135			3" NPT ANSI		19.0	GN2085	20.0	GN2090

UPS 80-80/4 Specifications

¹ 460V motors are 2-speed only.

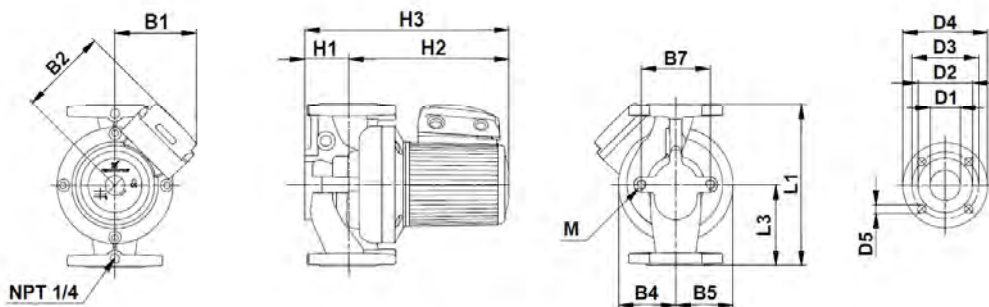


- Flow range: 30 - 260 gpm
- Head range: 1 - 25 ft
- Motor: 4-pole 1.50 Hp
- Max. liquid temp (Open): +140 °F
- Max. liquid temp.: +248 °F
- Min. liquid temp.: +32 °F
- Max. system pressure: 145 psi
- Net wt: 89.7 lbs (40.7 kg)
- Gross wt.: 102.1 lbs (46.3 kg)
- Shipping volume: 2.90 ft³ (0.082 m³)
- Net wt. bronze: 102.3 lbs (46.4 kg)
- Gross wt. bronze: 114.6 lbs (52.0 kg)
- Shipping volume bronze: 2.90 ft³ (0.082 m³)

Electrical data, pump running Not startup

Speed	Max Amps @ Voltage			
	115	230	208-230	460
3	—	—	3.60	—
2	—	—	2.08	—
1	—	—	1.72	—

Note: ETA is calculated as wire-to-water efficiency.



Dimensions

Model	L1	L3	B1	B2	B4	B5	B7	H1	H2	H3	D1	D2	D3	D4	D5	D6	D7	M
UPS 80-80/4	[in]	19.00	9.50	5.75	6.68	4.94	3.94	6.31	3.81	11.25	15.15	3.19	5.00	6.00	7.56	0.75	—	—
	[mm]	483	241	146	170	125	100	160	97	286	385	81	127	152	192	19	—	—

Grundfos UPS 80-160/2 Pumps, 3-Speed, 3 HP



UPS 80-160/2
Cast iron

Pump comes with a pair of flange gaskets.

Need a complete flange set with flanges, nuts, bolts & gaskets? See adjoining ordering table.

[CLICK for Replacement Pump Head](#)

Features:

- Self-lubricating via pumped liquid with stainless steel impeller.
- 60 Hz, 3-speed motor: Maximum RPM, 3450.
- Three phase, 3 HP motors: 208-230 or 460V operation.
- Supplied with standard module in the terminal box.
- Choose from cast iron (heating) or bronze (potable water) bodies.

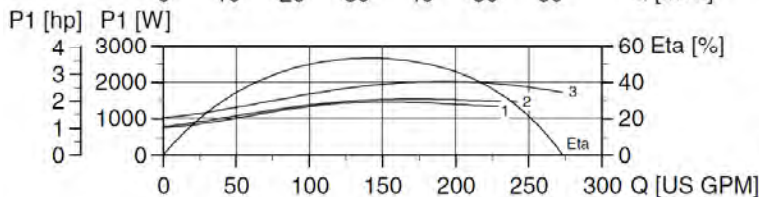
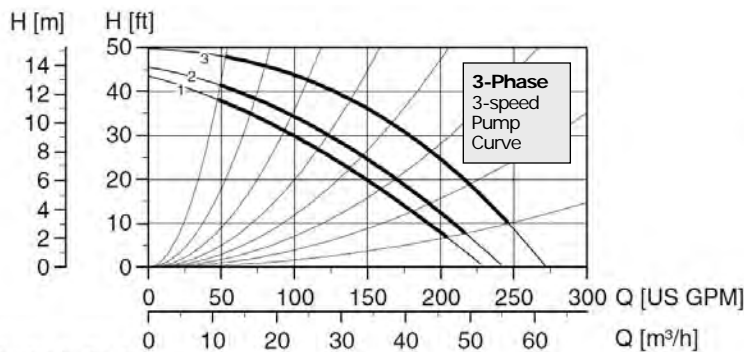


Flange Set

Cast Iron Product No.	Bronze Product No.	Flange Conn.	Voltage & Phase	HP	Ship Wgt, lbs.	Order No. Cast Iron	Ship Wgt, lbs.	Order No. Bronze
—	—	3" NPT ANSI 4-bolt	115/1	3.00	—	—	—	—
—	—		230/1		—	—	—	
96402920	96402923		208-230/3		92	GN1202	102	GN1202C
96402921	96402924		460/3		96	GN1202A	101	GN1202E
GF80 Flange Set includes flanges, gaskets, nuts & bolts. GF80 Flange Gasket Only: 1 ea., GN2135			3" NPT ANSI		19.0	GN2085	20.0	GN2090

UPS 80-160/2 Specifications

¹ 460V motors are 2-speed only.

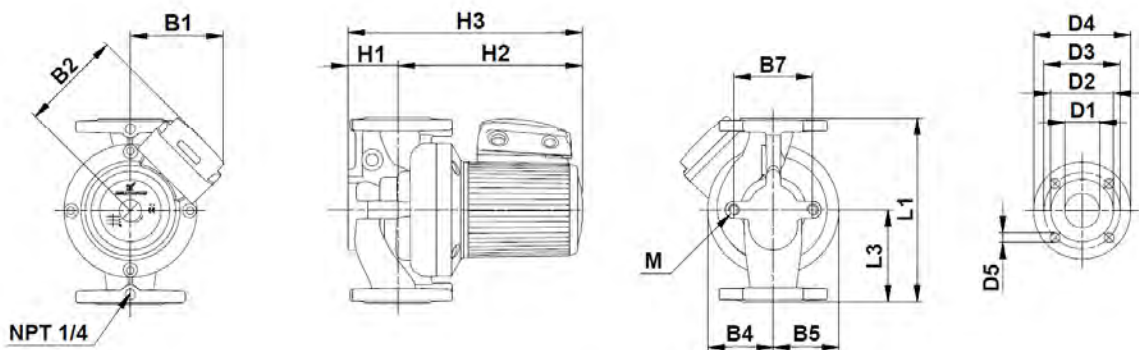


Note: ETA is calculated as wire-to-water efficiency.

- Flow range: 30 - 275 gpm
- Head range: 1 - 49 ft
- Motor: 2-pole 3.00 Hp
- Max. liquid temp (Open): +140 °F
- Max. liquid temp.: +248 °F
- Min. liquid temp.: +32 °F
- Max. system pressure: 145 psi
- Net wt: 85.1 lbs (38.6 kg)
- Gross wt.: 97.4 lbs (44.2 kg)
- Shipping volume: 2.90 ft³ (0.082 m³)
- Net wt. bronze: 97.2 lbs (44.1 kg)
- Gross wt. bronze: 109.6 lbs (49.7 kg)
- Shipping volume bronze: 2.90 ft³ (0.082 m³)

Electrical data, pump running Not startup

Speed	Max Amps @ Voltage			
	115	230	208-230	460
3	—	—	6.35	3.13
2	—	—	4.20	2.10
1	—	—	4.05	—



Dimensions

Model	L1	L3	B1	B2	B4	B5	B7	H1	H2	H3	D1	D2	D3	D4	D5	D6	D7	M
UPS 80-160/2	[in]	19.00	9.50	5.75	6.68	3.94	3.94	6.31	3.81	11.31	15.20	3.19	5.00	6.00	7.56	0.75	—	—
	[mm]	483	241	146	170	100	100	160	97	287	386	81	127	152	192	19	—	—

Grundfos UPS 100-40/4 Pumps, 3-Speed, 1 HP



UPS 100-40/4
Cast iron

Pump comes with a pair of flange gaskets.

Need a complete flange set with flanges, nuts, bolts & gaskets? See adjoining ordering table.

[CLICK for Replacement Pump Head](#)

Features:

- Self-lubricating via pumped liquid with stainless steel impeller.
- 60 Hz, 3-speed motor: Maximum RPM, 1750
- Three phase, 1 HP motors: 208-230 or 460V operation.
- Supplied with standard module in the terminal box.
- Choose from cast iron (heating) or bronze (potable water) bodies.

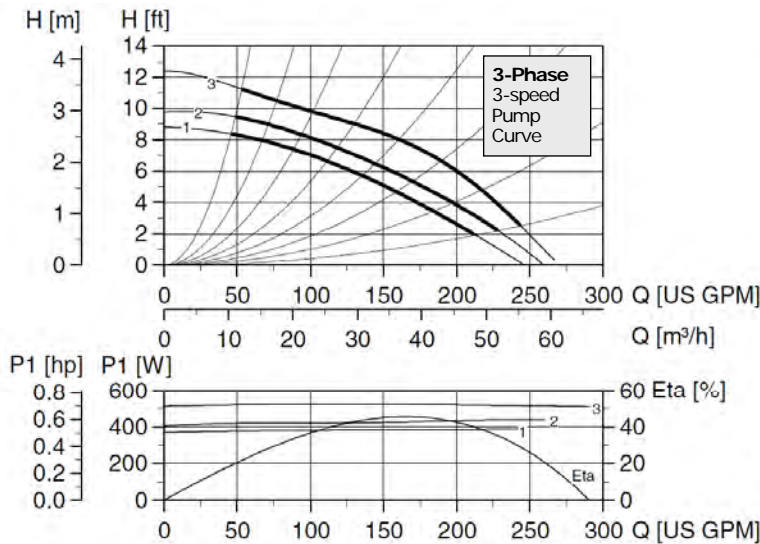


Flange Set

Cast Iron Product No.	Bronze Product No.	Flange Conn.	Voltage & Phase	HP	Ship Wgt, lbs.	Order No. Cast Iron	Ship Wgt, lbs.	Order No. Bronze
—	—	4" NPT ANSI 4-bolt	115/1	1.00	—	—	—	—
—	—		230/1		—	—	—	—
96402934	96402937		208-230/3		130	GN1203	147	GN1203C
96402935	96402938		1460/3		130	GN1203A	147	GN1203E
GF100 Flange Set includes flanges, gaskets, nuts & bolts.			4" NPT ANSI		33.0	GN2095	30.0	GN2100
GF100 Flange Gasket Only: ea., GN2140								

¹ 460V motors are 2-speed only.

UPS 100-40/4 Specifications

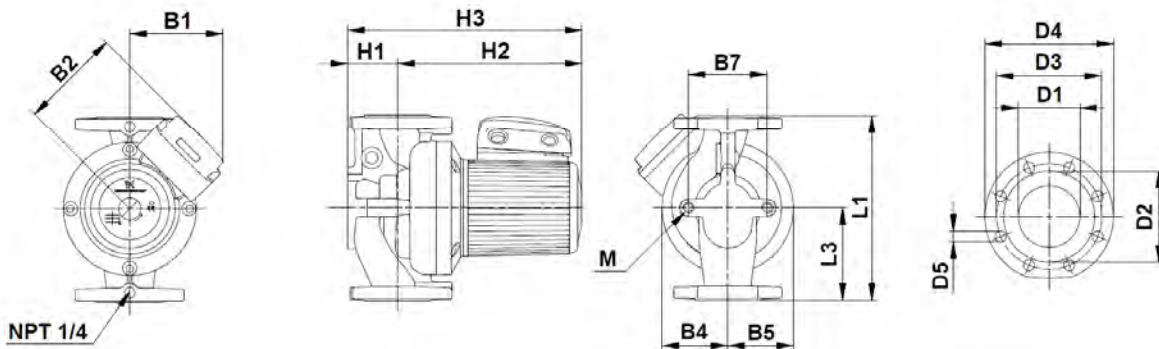


Note: ETA is calculated as wire-to-water efficiency.

- Flow range: 30 - 270 gpm
- Head range: 1 - 12 ft
- Motor: 4-pole, 1.00 Hp
- Max. liquid temp (Open): +140 °F
- Max. liquid temp.: +248 °F
- Min. liquid temp.: +32 °F
- Max. system pressure: 145 psi
- Net wt: 126.8 lbs (57.5 kg)
- Gross wt.: 138.9 lbs (63.0 kg)
- Shipping volume: 3.53 ft³ (0.1 m³)
- Net wt. bronze: 153.2 lbs (69.5 kg)
- Gross wt. bronze: 165.3 lbs (75.0 kg)
- Shipping volume bronze: 3.53 ft³ (0.1 m³)

Electrical data, pump running Not startup

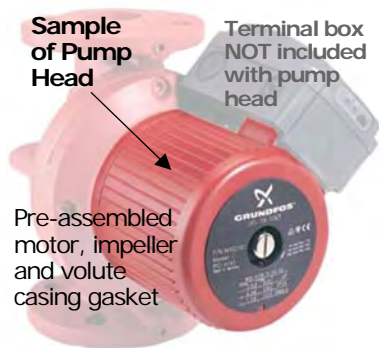
Speed	Max Amps @ Voltage			
	115	230	208-230	460
3	—	—	2.50	1.24
2	—	—	1.38	0.70
1	—	—	1.24	—



Dimensions

Model	L1	L3	B1	B2	B4	B5	B7	H1	H2	H3	D1	D2	D3	D4	D5	D6	D7	M
UPS 100-40/4	[in]	21.00	10.50	5.75	6.68	5.13	3.94	6.31	4.81	12.31	16.61	4.19	6.19	7.50	9.06	0.75	—	—
	[mm]	533	267	146	170	130	100	160	122	313	422	106	157	191	230	19	—	—

"Pump Heads" Repair Large UPS Grundfos Pumps



Repair UPS Grundfos Pumps with "Pump Heads"

- The pump head is pre-assembled with the related *3-speed motor, impeller and volute gasket.
 - Your existing terminal box and capacitor may be re-used, but Grundfos recommends the terminal box be replaced along with the pump head to ensure dependable pump operation for years to come.
 - Select from 115V, 230V, 208-230V or 460V when available
 - All pump heads are supplied with a stainless steel impeller for use on heating or potable water systems.
- *All pump heads have 3-speed motors except the 460V models, which have 2-speed motors.



Replacement Capacitors & Terminal Boxes

The replacement pump heads do not include a new terminal box. If you believe your existing terminal box or the capacitor needs replacing, please reference the ordering table below.



Replacement Pump Heads

More Replacement Pump Heads

For Model	Max HP	Part No.	Phase & Voltage	Ship Wgt.	Order No.
UPS32-40/4	0.33	96407069	1 X 115V	16.2	GN2200
		96407070	1 X 230V	16.2	GN2205
		96407071	3 X 208-230V	16.2	GN2210
		96407072	3 X 460V 2-speed	18.0	GN2215
UPS32-80/2	0.50	96407074	1 X 115V	16.2	GN2220
		96407075	1 X 230V	16.2	GN2225
		96407076	3 X 208-230V	16.2	GN2230
		96407077	3 X 460V 2-speed	18.0	GN2235
UPS32-160/2	0.75	96407079	1 X 115V	19.0	GN2240
		96407080	1 X 230V	19.0	GN2245
		96407081	3 X 208-230V	19.0	GN2250
		96407082	3 X 460V 2-speed	22.5	GN2255
UPS40-40/4	0.33	96407084	1 X 115V	16.2	GN2260
		96407085	1 X 230V	16.2	GN2265
		96407086	3 X 208-230V	16.2	GN2270
		96407087	3 X 460V 2-speed	18.0	GN2275
UPS40-80/4	0.50	96407030	1 X 115V	30.5	GN2280
		96407031	1 X 230V	30.0	GN2285
		96407021	3 X 208-230V	22.0	GN2290
		96407033	3 X 460V 2-speed	26.0	GN2295
UPS40-80/2	0.75	96407089	1 X 115V	19.0	GN2300
		96407090	1 X 230V	19.0	GN2305
		96407091	3 X 208-230V	19.0	GN2310
		96407092	3 X 460V 2-speed	24.0	GN2315
UPS40-160/2	0.75	96407094	1 X 115V	23.0	GN2320
		96407095	1 X 230V	23.0	GN2325
		96407096	3 X 208-230V	23.0	GN2330
		96407097	3 X 460V 2-speed	25.0	GN2335
UPS40-240/2	1.5	96407099	1 X 230V	31.0	GN2340
		96407100	3 X 208-230V	26.0	GN2345
		96407101	3 X 460V 2-speed	31.0	GN2350
		91130283	1 X 115V	7.0	GN2355
UPS43-100	0.33	91130284	1 X 230V	7.0	GN2360
		96407103	1 X 115V	19.0	GN2365
UPS50-40/4	0.33	96407104	1 X 230V	19.0	GN2370
		96407105	3 X 208-230V	19.0	GN2375
		96407106	3 X 460V 2-speed	23.0	GN2380
UPS50-60	0.33	91130285	1 X 115V	3.0	GN2385
		91130286	1 X 230V	3.0	GN2390
UPS50-80/4	0.75	96407035	1 X 115V	16.0	GN2395
		96407036	1 X 230V	31.0	GN2400
		96407020	3 X 208-230V	26.0	GN2405
		96407038	3 X 460V 2-speed	29.0	GN2410
UPS50-80/2	0.75	96407108	1 X 115V	19.0	GN2415
		96407109	1 X 230V	19.0	GN2420
		96407110	3 X 208-230V	19.0	GN2425
		96407111	3 X 460V 2-speed	24.0	GN2430

For Model	Max HP	Part No.	Phase & Voltage	Ship Wgt.	Order No.
UPS50-160/2	1.5	96413287	1 X 230V	31.0	GN2435
		96407113	3 X 208-230V	26.0	GN2440
		96407114	3 X 460V 2-speed	26.0	GN2445
UPS50-240/2	2.0	96407116	3 X 208-230V	23.0	GN2450
		96407117	3 X 460V 2-speed	36.0	GN2455
UPS80-40/4	0.50	96407025	3 X 208-230V	33.0	GN2460
		96407120	3 X 460V 2-speed	25.0	GN2465
UPS80-80/4	1.5	96407122	3 X 208-230V	31.0	GN2470
UPS80-160/2	3.0	96407123	3 X 208-230V	32.0	GN2475
		96407124	3 X 460V 2-speed	32.0	GN2480
UPS100-40/4	1.0	96407126	3 X 208-230V	30.0	GN2485
		96407127	3 X 460V 2-speed	34.0	GN2490

Replacement Capacitors & Terminal Boxes w/Capacitors

For Model	Capacitor Part No.	Phase & Voltage	Capacitor Order No.	Terminal Box No.	Terminal Box Order No.
UPS32-40/4	96405449	1 x 115V	GN2625	96427785	GN2755
	96405440	1 x 230V	GN2600	96427775	GN2715
UPS32-80/2	96405451	1 x 115V	GN2630	96427787	GN2765
	96405445	1 x 230V	GN2615	96427777	GN2725
UPS32-160/2	96405454	1 x 115V	GN2640	96427789	GN2775
	96405449	1 x 230V	GN2625	96427781	GN2735
UPS40-40/4	96405448	1 x 115V	GN2620	96427786	GN2760
	96405441	1 x 230V	GN2605	96427776	GN2720
UPS40-80/4	96405454	1 x 115V	GN2640	96427789	GN2775
	96405449	1 x 230V	GN2625	96427781	GN2735
UPS40-80/2	96405455	1 x 115V	GN2645	96427788	GN2770
	96405443	1 x 230V	GN2610	96427778	GN2730
UPS40-160/2	96405456	1 x 115V	GN2650	96427790	GN2780
	96405452	1 x 230V	GN2635	96427782	GN2740
UPS40-240/2	96405451	1 x 230V	GN2630	96427783	GN2745
UPS43-100	—	1 x 115V	—	91130279	GN2700
	—	1 x 230V	—	91130280	GN2705
UPS50-40/4	96405451	1 x 115V	GN2630	96427787	GN2765
	96405445	1 x 230V	GN2615	96427777	GN2725
UPS50-60	—	1 x 115V	—	91130279	GN2700
	—	1 x 230V	—	91130280	GN2705
UPS50-80/4	96405454	1 x 115V	GN2640	96427789	GN2775
	96405449	1 x 230V	GN2625	96427781	GN2735
UPS50-80/2	96405454	1 x 115V	GN2640	96427789	GN2775
	96405449	1 x 230V	GN2625	96427781	GN2735
UPS50-160/2	96405451	1 x 230V	GN2630	96427783	GN2745
Terminal Boxes with Capacitor	3-phase, 208-230V			96427784	GN2750
	3-phase, *460V, mfg. before 0114			96408765	GN2710
	3-phase, *460V, mfg. after 0115			96463766	GN2785

* Single phase Terminal Boxes also include Capacitor. *460V units are 2-speed.

Grundfos CR, CRI and CRN Series Pumps



Vertical Multistage Centrifugal Pumps

- Compact, inline design fits into a small footprint.
- Unique cartridge seal design can be replaced in minutes.
- Integral spacing coupler allows for seal replacement without removal of motor.
- Easy installation and operation with settings and internal connections done at the factory.
- Stacked impellers mean superior performance.



Cartridge Seal Design

CR Series pumps contain both **cast iron** and **304 stainless steel** components within the pumping cavity. This series is generally used in both steam and hot water heating/cooling systems, and other general HVAC pumping applications.

CRI Series pumps contain only **304 stainless steel** components within the pumping cavity. This allows this series of pump to handle potable water and washing or cleaning applications.

CRN Series pumps contain only food grade **316 stainless steel** components within the pumping cavity. This allows this series of pump to handle all applications related to food and beverage processing, and other situations where the pump liquid cannot be contaminated.

CRT Series utilize **Titanium steel** components within the pumping cavity. These pumps are generally used in salt water or related applications where oxidizing agents, such as hydrochlorites, can play havoc with your pumping system.

Pump Nameplate Sample 1

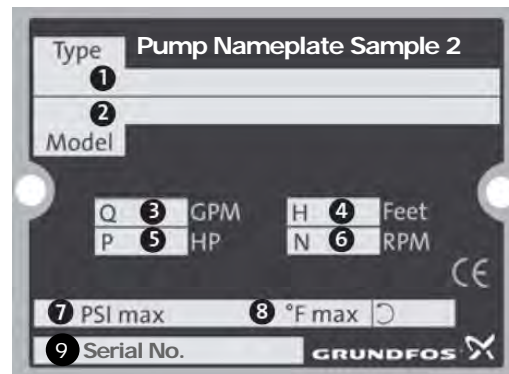


To Order Replacement Pumps or Repair Parts

Record ALL the information posted to the pump nameplate. Call, fax or email the information to State Supply.

Phn: 800.772.2099
Fax: 651.774.7156

info@statesupply.com



Item No.	Please provide the following information from your Grundfos Pump's Nameplate	
1	Type Designation	
2	Model, material No., production code	
3	Gallons per Minute	
4	Head Pressure in Feet	
5	Pump Horsepower	
6	Rated RPM	
7	Maximum PSI	
8	Maximum Fluid Temperature	
9	Pump Serial No. (when shown)	
Your Name:		Your Cell Phone:
Business Name:		Your Email:

Information Needed to Repair/Replace Grundfos CR Pumps

- Please find the Pump Nameplate and record or photograph ALL the information posted to the Pump Nameplate.
- Email or fax the information: Info@StateSupply.com or FAX: 651-774-7156, or call 800.772.2099.
- Indicate if you want a quote on a complete replacement pump, or components/repair parts to rebuild the pump.

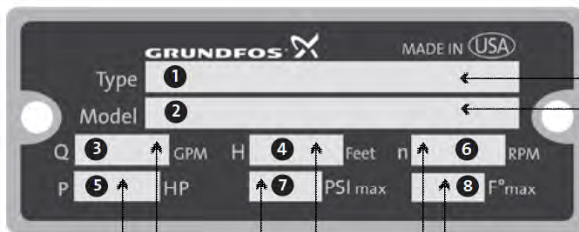
Reading The Pump Nameplate



- Type designation
- Model, material number, production code
- Gallons per minute at rate RPM
- Head in feet at nameplate flow
- Pump horsepower
- Rated RPM
- Maximum PSI
- Maximum fluid temperature

- No. of reduced diameter impellers (CR(N) 32, 45, 64, & 90 only)
- No. of impellers (used only if pump has fewer impellers than chambers)
- No. of stages CR(I,N) 15, 1, 3, 5, 10, 15 & 20
- No. of stages x 10 CR(N,X) 2, 4, 8, & 16
- No. of stages CR(N) 32, 45, 64, & 90
- Nominal flow rate in m³/hr (multiply by 5 to get GPM)
- "I" or "X" Cast Iron components replaced by 316 SS, stack and sleeve of 304 SS
- "N" if all parts in contact with water are 316 SS
- "T" if all parts in contact with water are Titanium
- "E" if a Grundfos MGE or MLE VFD motor is attached

Centrifugal pump



- Pump horsepower
- Gallons per minute at rated RPM
- Maximum PSI
- Head (in feet) at nameplate flow
- RPM
- Maximum fluid temperature

Code for Type of Pump or Physical Changes

Type of Pump

- A = IEC pump
- E = Ejector pump
- F = Cool Top™ high temperature model
- H = Horizontal pump with electric motor and end-suction base
- HS = High speed/pressure reverse chamber stack/direction of rotation
- K = Low NPSH pump
- M = Magnetic Drive Coupling
- R = Horizontal construction with bearing bracket
- S = Pump without staybolts
- SF = High pressure pump without staybolts reverse stack rotation
- U = NEMA pump

Physical Changes

- B = Oversized motor
- C = Changed point of connection
- D = Intensifier tank for double seal
- I = Changed pressure class
- J = CRE pump (pumps with high max speed rotation)
- N = CRE pump with transducer
- P = Undersized motor (1 flange size smaller)
- T = Oversized motor (2 flange sizes larger)
- X = Special product

Code for Pipe Connection

- A = Oval flange
- B = NPT thread
- C = Clamp connection
- CA = FlexiClamp
- F = DIN flange
- FGJ = DIN, ANSI and JIS flanges combined into one base
- G = ANSI flange
- J = JIS flange
- M = Changed flange connection
- N = Changed connection diameter
- O = External thread
- P = Victaulic coupling (PJE)
- W = Internal thread

Code for Materials

- A = Standard materials
- D = Grafalon® bearing
- G = Stainless steel parts in 316 SS or similar material
- GI = Baseplate and flanges are 316LN SS
- I = Nonstainless parts converted to SS
- J = Shaft or sleeve made of 316 SS
- K = Intermediate bearings are bronze
- R = Shaft or sleeve made of 904L SS
- S = Silicon Carbide intermediate bearing/Teflon® seal
- T = Titanium
- X = Special product
- Z = Pumps of bronze, components of cast bronze

Code for Rubber Parts in Pump

- (Excludes CR(I,N,X) 2, 4, 8, 16)
- E = EPDM
 - F = FKM (Flouraz)
 - K = FFKM (Kalrez)
 - P = NBR (Nitrile)
 - T = PTFE wound around FKM
 - V = FKM

Material of Secondary Seal and other Parts made of Plastic/Rubber

- E = EPDM
- K = FFKM (Kalrez)
- M = PTFE wound around FKM
- P = NBR (Nitrile)
- S = Q (Silicone rubber)
- T = PTFE (Teflon®)
- V = FKM
- X = Special product

Material of Stationary Ring

- A = Carbon, metal impregnated
- B = Carbon, plastic impregnated
- C = Other types of carbon
- H = Carbon with imbedded Tungsten Carbide (Hybrid)
- Q = Silicon carbide
- S = Chromium steel
- U = Tungsten carbide
- V = Aluminum oxide
- X = Other types of ceramics

CR 8-20/1-1 U-G-A-E-BUBE

A 12345678 P1 03 20 U.S. 879

Designated model (e.g. A, B, C, D)

Product Number

Production Company

Last two digits of year of production

Production week number (01 to 51)

U.S. serial number

Type of Shaft Seal

- A = O-ring seal with fixed seal driver
- B = Rubber bellows seal
- C = O-ring seal with a spring working as a driver
- D = Balanced seal
- E = Cartridge with O-ring (Type A)
- F = Cartridge with rubber bellows
- G = Bellows seal with reduced diameter stationary ring
- H = Balanced seal, cartridge (Type D)
- K = Metal bellows seal (Type M) Cartridge
- O = Double shaft seal (back to back)
- P = Double shaft seal (Tandem)
- Q = Quench seal (with flushing)
- R = O-ring seal with reduced diameter stationary ring
- S = Shaft seal
- X = Miscellaneous

Material of Rotating Ring

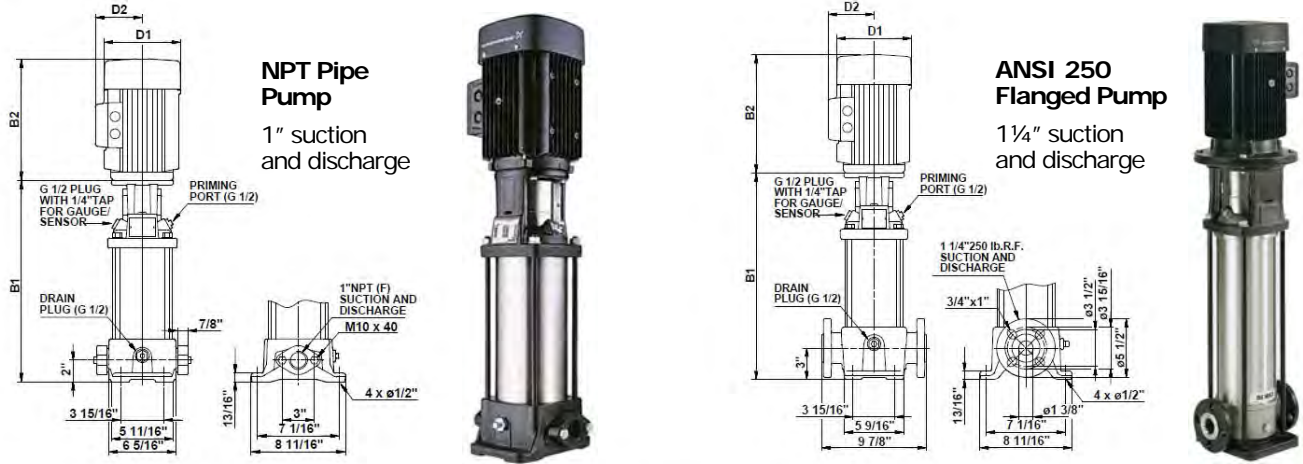
- A = Carbon, metal impregnated
- B = Carbon, plastic impregnated
- C = Other types of carbon
- Q = Silicon carbide
- S = Chromium steel
- U = Tungsten carbide
- V = Aluminum oxide
- X = Other types of ceramics

LSM-NPC-001 1106

Grundfos CR-1s, CRI-1s and CRN-1s Ratings/Dimensions

CR 1s Pump connection dimensions the same for the CRI-1s and CRN-1s models.

QUOTE REQUEST for a Replacement CR Pump



ANSI dimensions [inch (mm)]

Pump type	HP	Phase	Oval*	TEFC—Totally Enclosed, Fan-Cooled Motor				Ship. wt. [lbs (kg)]
				B1	D1	D2	B1+B2	
CR 1s-2	1/3 hp	1	•	11.97 (305)	6.19 (158)	5.18 (132)	21.26 (541)	69 (32)
		3	•	11.97 (305)	5.55 (141)	4.57 (117)	19.41 (494)	67 (31)
CR 1s-3		1	•	11.97 (305)	6.19 (158)	5.18 (132)	21.26 (541)	69 (32)
		3	•	11.97 (305)	5.55 (141)	4.57 (117)	19.41 (494)	67 (31)
CR 1s-4		1	•	12.68 (323)	6.19 (158)	5.18 (132)	21.97 (559)	70 (32)
		3	•	12.68 (323)	5.55 (141)	4.57 (117)	20.12 (512)	68 (31)
CR 1s-5	1/2 hp	1	•	13.39 (341)	6.19 (158)	5.18 (132)	22.68 (577)	71 (33)
		3	•	13.39 (341)	5.55 (141)	4.57 (117)	20.83 (530)	69 (32)
CR 1s-6		1	•	14.09 (358)	6.19 (158)	5.18 (132)	23.38 (594)	75 (35)
		3	•	14.09 (358)	5.55 (141)	4.57 (117)	21.53 (547)	70 (32)
CR 1s-7		1	•	14.80 (376)	6.19 (158)	5.18 (132)	24.09 (612)	76 (35)
		3	•	14.80 (376)	5.55 (141)	4.57 (117)	22.24 (565)	71 (33)
CR 1s-8	3/4 hp	1	•	15.51 (394)	6.19 (158)	5.18 (132)	24.80 (630)	77 (35)
		3	•	15.51 (394)	5.55 (141)	4.57 (117)	22.95 (583)	72 (33)
CR 1s-9		1	•	16.22 (412)	6.19 (158)	5.18 (132)	26.13 (664)	82 (38)
		3	•	16.22 (412)	5.55 (141)	4.57 (117)	23.66 (601)	73 (34)
CR 1s-10		1	•	16.93 (431)	6.19 (158)	5.18 (132)	26.84 (682)	83 (38)
		3	•	16.93 (431)	5.55 (141)	4.57 (117)	24.37 (619)	74 (34)
CR 1s-11	1 hp	1	•	17.64 (449)	6.19 (158)	5.18 (132)	27.55 (700)	84 (39)
		3	•	17.64 (449)	5.55 (141)	4.57 (117)	25.08 (638)	75 (35)
CR 1s-12		1	•	18.35 (467)	6.19 (158)	5.18 (132)	28.26 (718)	85 (39)
		3	•	18.35 (467)	5.55 (141)	4.57 (117)	25.79 (656)	76 (35)
CR 1s-13		1	•	19.06 (485)	7.19 (183)	5.73 (146)	30.25 (769)	101 (46)
		3	•	19.06 (485)	5.55 (141)	4.57 (117)	26.50 (674)	77 (35)
CR 1s-15	1 1/2 hp	1	•	20.47 (520)	7.19 (183)	5.73 (146)	31.66 (805)	103 (47)
		3	•	20.47 (520)	5.55 (141)	4.57 (117)	27.91 (709)	78 (36)
CR 1s-17		1	•	21.89 (557)	7.19 (183)	5.73 (146)	33.57 (853)	107 (49)
		3	•	21.89 (557)	5.55 (141)	4.57 (117)	30.51 (775)	84 (39)
CR 1s-19		1	-	23.31 (593)	7.19 (183)	5.73 (146)	34.99 (889)	109 (50)
		3	-	23.31 (593)	5.55 (141)	4.57 (117)	31.93 (812)	86 (40)
CR 1s-21	2 hp	1	-	24.72 (628)	7.19 (183)	5.73 (146)	36.40 (925)	111 (51)
		3	-	24.72 (628)	5.55 (141)	4.57 (117)	33.34 (847)	88 (40)
CR 1s-23		1	-	26.14 (664)	7.19 (183)	5.73 (146)	37.82 (961)	113 (52)
		3	-	26.14 (664)	5.55 (141)	4.57 (117)	34.76 (883)	90 (41)
CR 1s-25		1	-	27.56 (701)	7.19 (183)	5.73 (146)	40.12 (1020)	126 (58)
		3	-	27.56 (701)	7.01 (179)	4.33 (110)	38.78 (986)	116 (53)
CR 1s-27		1	-	28.98 (737)	7.19 (183)	5.73 (146)	41.54 (1056)	127 (58)
		3	-	28.98 (737)	7.01 (179)	4.33 (110)	40.20 (1022)	118 (54)

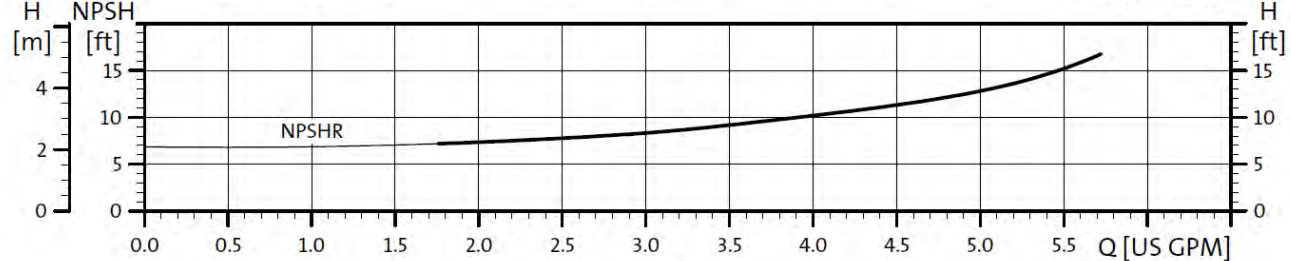
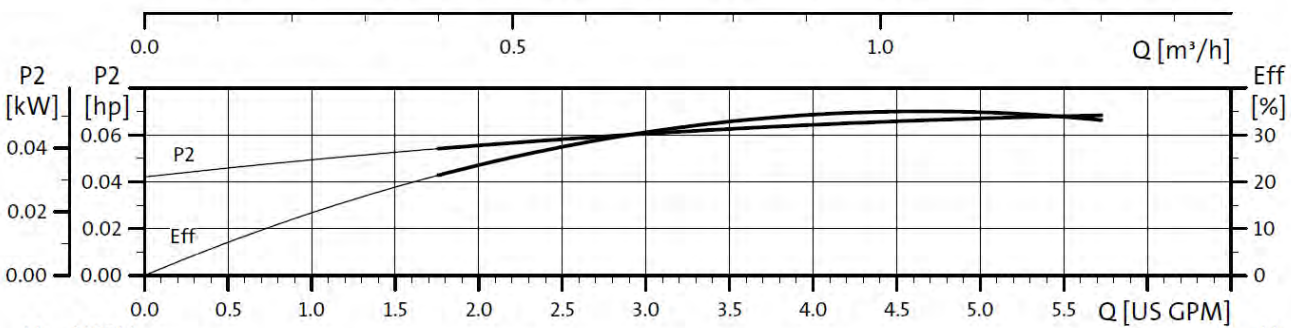
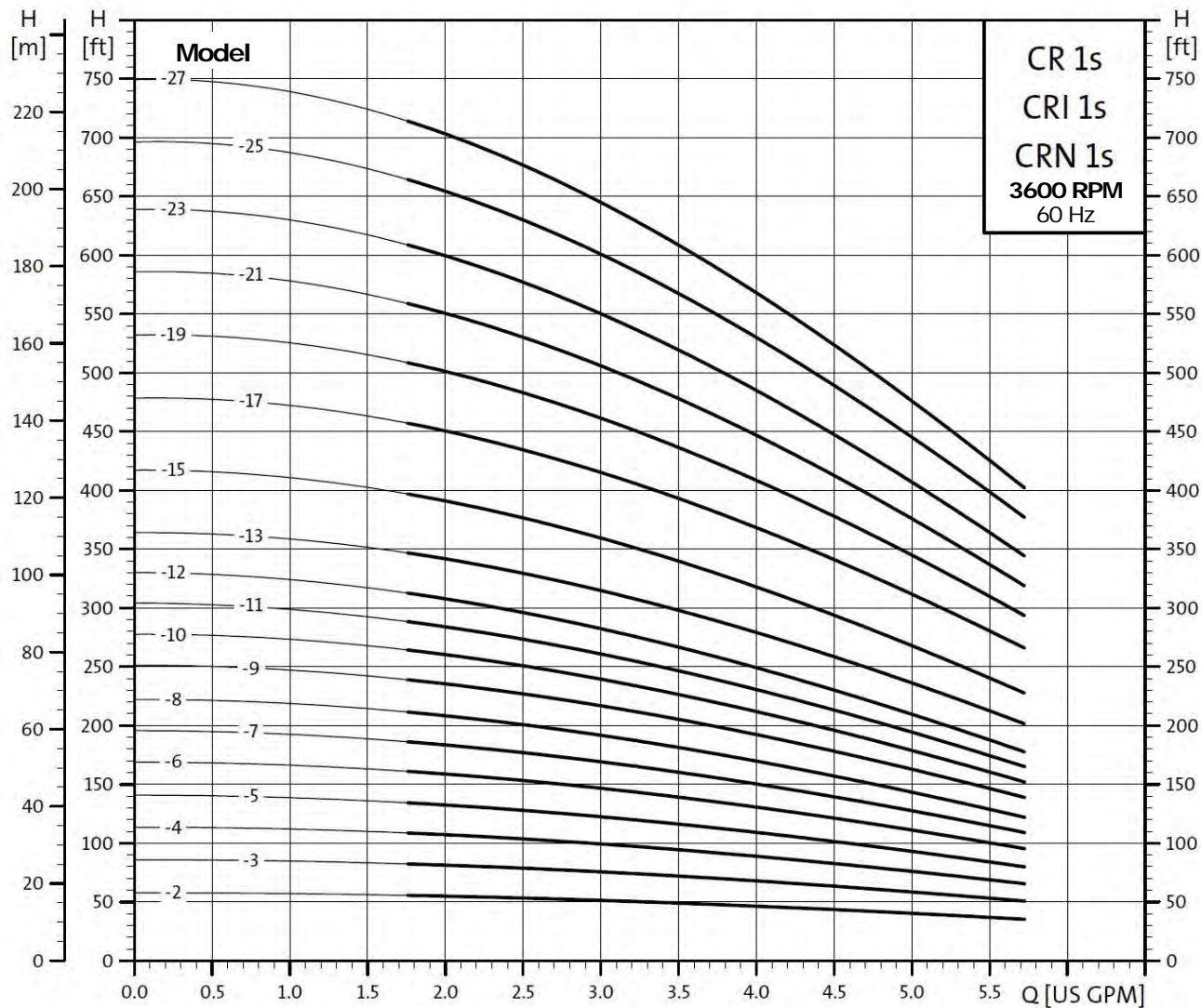
All dimensions in inches unless otherwise noted.

* Oval flanged pump B1 and B1+B2 dimension is one inch less than ANSI flanged pump and weight is approximately 9 lbs. less.

CR Series pumps contain both cast iron and 304 stainless steel components within the pumping cavity. This series is generally used in both steam and hot water heating systems, and other general HVAC pumping applications. **Operation temperature** (with standard seal/HBOE) from 32 to 248° F; **Operating pressure** to 125 psi.

Grundfos CR-1s, CRI-1s and CRN-1s Pump Curves

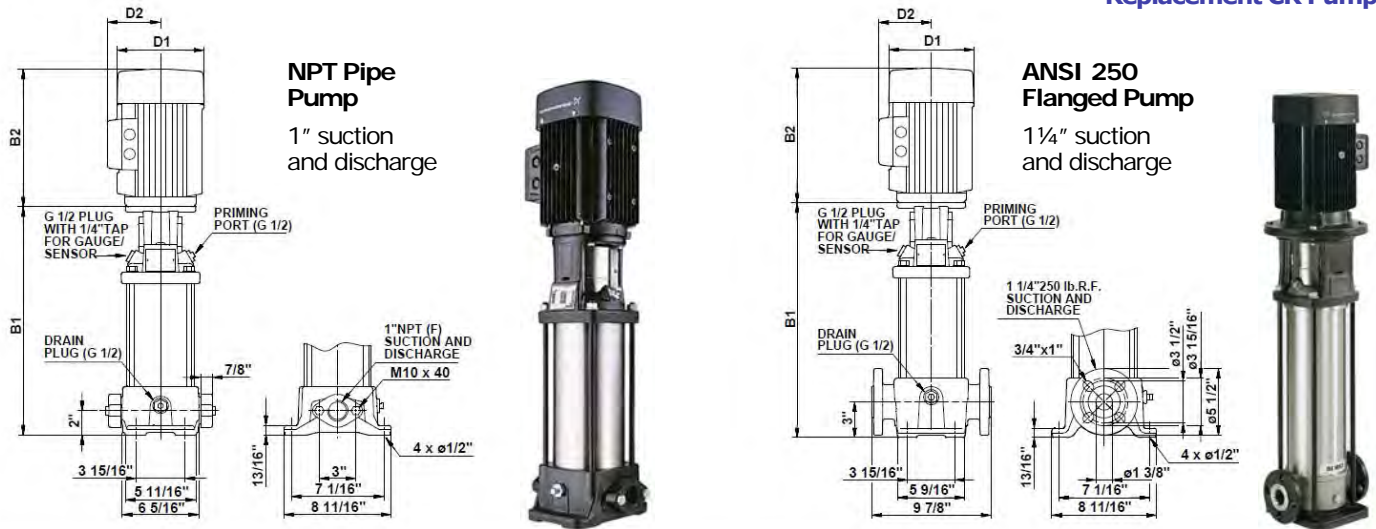
CR, CRI, CRN 1s



Grundfos CR-1, CRI-1 and CRN-1 Ratings/Dimensions

CR 1 Pump connection dimensions the same for the CRI-1 and CRN-1 models.

QUOTE REQUEST for a Replacement CR Pump

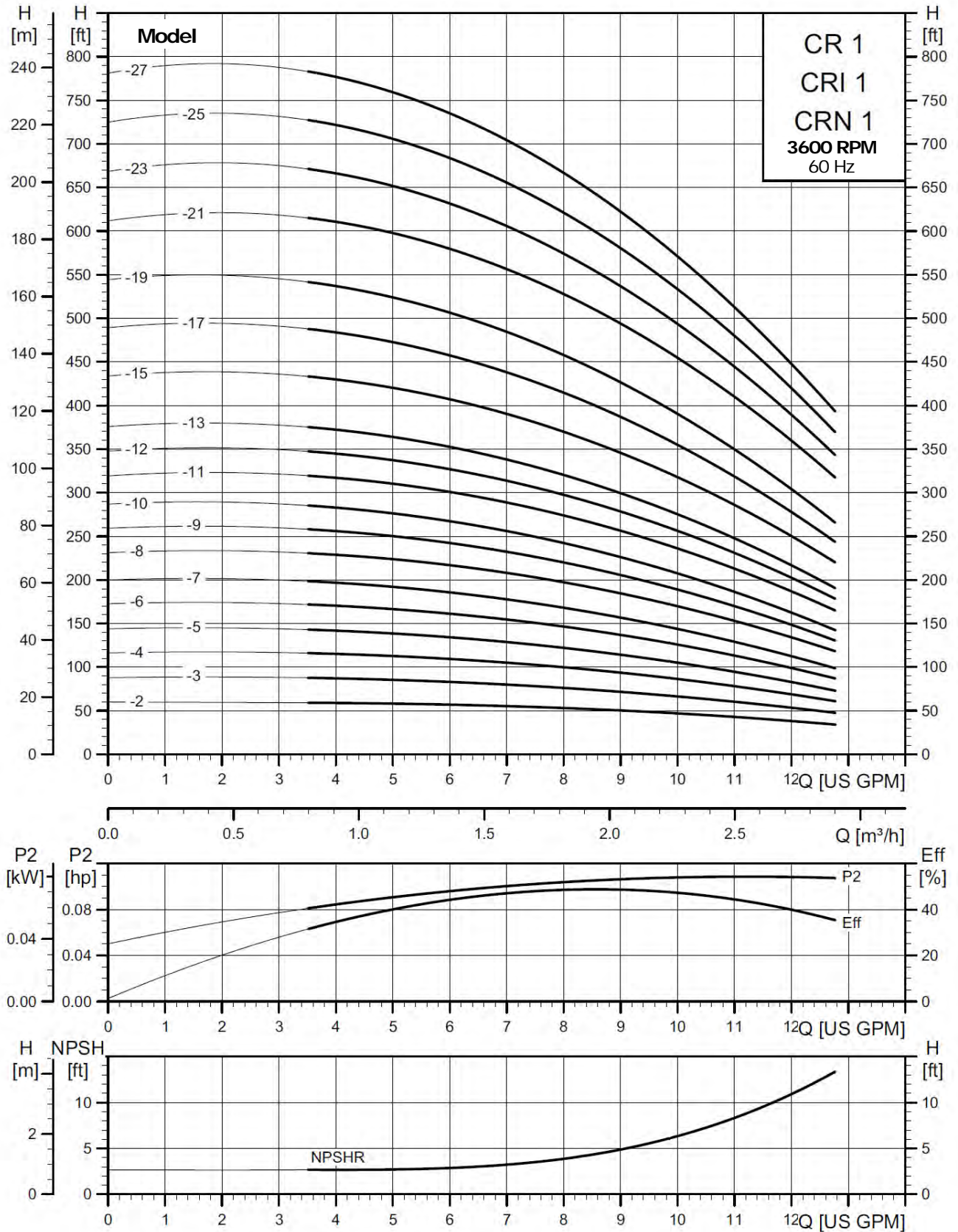


Pump type	HP	Phase	Oval*	ANSI dimensions [Inch (mm)]				Ship. wt. [lbs (kg)]
				B1	TEFC—Totally Enclosed, Fan-Cooled Motor			
					D1	D2	B1+B2	
CR 1-2	1/3 hp	1	•	11.97 (305)	6.19 (158)	5.18 (132)	21.26 (541)	69 (32)
		3	•	11.97 (305)	5.55 (141)	4.57 (117)	19.41 (494)	67 (31)
CR 1-3	1/3 hp	1	•	11.97 (305)	6.19 (158)	5.18 (132)	21.26 (541)	69 (32)
		3	•	11.97 (305)	5.55 (141)	4.57 (117)	19.41 (494)	67 (31)
CR 1-4	1/2 hp	1	•	12.68 (323)	6.19 (158)	5.18 (132)	21.97 (559)	73 (34)
		3	•	12.68 (323)	5.55 (141)	4.57 (117)	20.12 (512)	68 (31)
CR 1-5	1/2 hp	1	•	13.39 (341)	6.19 (158)	5.18 (132)	22.68 (577)	75 (35)
		3	•	13.39 (341)	5.55 (141)	4.57 (117)	20.83 (530)	69 (32)
CR 1-6	3/4 hp	1	•	14.09 (358)	6.19 (158)	5.18 (132)	24.00 (610)	80 (37)
		3	•	14.09 (358)	5.55 (141)	4.57 (117)	21.53 (547)	71 (33)
CR 1-7	1 hp	1	•	14.80 (376)	6.19 (158)	5.18 (132)	24.71 (628)	81 (37)
		3	•	14.80 (376)	5.55 (141)	4.57 (117)	22.24 (565)	72 (33)
CR 1-8	1 hp	1	•	15.51 (394)	7.19 (183)	5.73 (146)	26.70 (679)	93 (43)
		3	•	15.51 (394)	5.55 (141)	4.57 (117)	22.95 (583)	72 (33)
CR 1-9	1 1/2 hp	1	•	16.22 (412)	7.19 (183)	5.73 (146)	27.41 (697)	94 (43)
		3	•	16.22 (412)	5.55 (141)	4.57 (117)	23.66 (601)	74 (34)
CR 1-10	1 1/2 hp	1	•	16.93 (431)	7.19 (183)	5.73 (146)	28.61 (727)	95 (44)
		3	•	16.93 (431)	5.55 (141)	4.57 (117)	25.55 (649)	74 (34)
CR 1-11	2 hp	1	•	17.64 (449)	7.19 (183)	5.73 (146)	29.32 (745)	102 (47)
		3	•	17.64 (449)	5.55 (141)	4.57 (117)	26.26 (668)	76 (35)
CR 1-12	2 hp	1	•	18.35 (467)	7.19 (183)	5.73 (146)	30.03 (763)	103 (47)
		3	•	18.35 (467)	5.55 (141)	4.57 (117)	26.97 (686)	77 (35)
CR 1-13	3 hp	1	•	19.06 (485)	7.19 (183)	5.73 (146)	30.74 (781)	104 (48)
		3	•	19.06 (485)	5.55 (141)	4.57 (117)	27.68 (704)	78 (36)
CR 1-15	3 hp	1	•	20.47 (520)	7.19 (183)	5.73 (146)	33.03 (839)	114 (52)
		3	•	20.47 (520)	7.01 (179)	4.33 (110)	31.69 (805)	104 (48)
CR 1-17	3 hp	1	•	21.89 (557)	7.19 (183)	5.73 (146)	34.45 (876)	116 (53)
		3	•	21.89 (557)	7.01 (179)	4.33 (110)	33.11 (841)	106 (49)
CR 1-19	3 hp	1	-	24.41 (621)	8.60 (219)	6.87 (175)	39.06 (993)	155 (71)
		3	-	24.41 (621)	7.01 (179)	4.33 (110)	37.64 (957)	123 (56)
CR 1-21	3 hp	1	-	25.83 (657)	8.60 (219)	6.87 (175)	40.48 (1029)	158 (72)
		3	-	25.83 (657)	7.01 (179)	4.33 (110)	39.06 (993)	125 (57)
CR 1-23	3 hp	1	-	27.24 (692)	8.60 (219)	6.87 (175)	41.89 (1065)	159 (73)
		3	-	27.24 (692)	7.01 (179)	4.33 (110)	40.47 (1028)	130 (59)
CR 1-25	3 hp	1	-	28.66 (728)	8.60 (219)	6.87 (175)	43.31 (1101)	161 (74)
		3	-	28.66 (728)	7.01 (179)	4.33 (110)	41.89 (1065)	132 (60)
CR 1-27	3 hp	1	-	30.08 (765)	8.60 (219)	6.87 (175)	44.73 (1137)	163 (74)
		3	-	30.08 (765)	7.01 (179)	4.33 (110)	43.31 (1101)	134 (61)

CR Series pumps contain both cast iron and 304 stainless steel components within the pumping cavity. This series is generally used in both steam and hot water heating systems, and other general HVAC pumping applications. **Operation temperature** (with standard sealHBQE) from 32 to 248° F; **Operating pressure** to 125 psi.

Grundfos CR-1, CRI-1 and CRN-1 Pump Curves

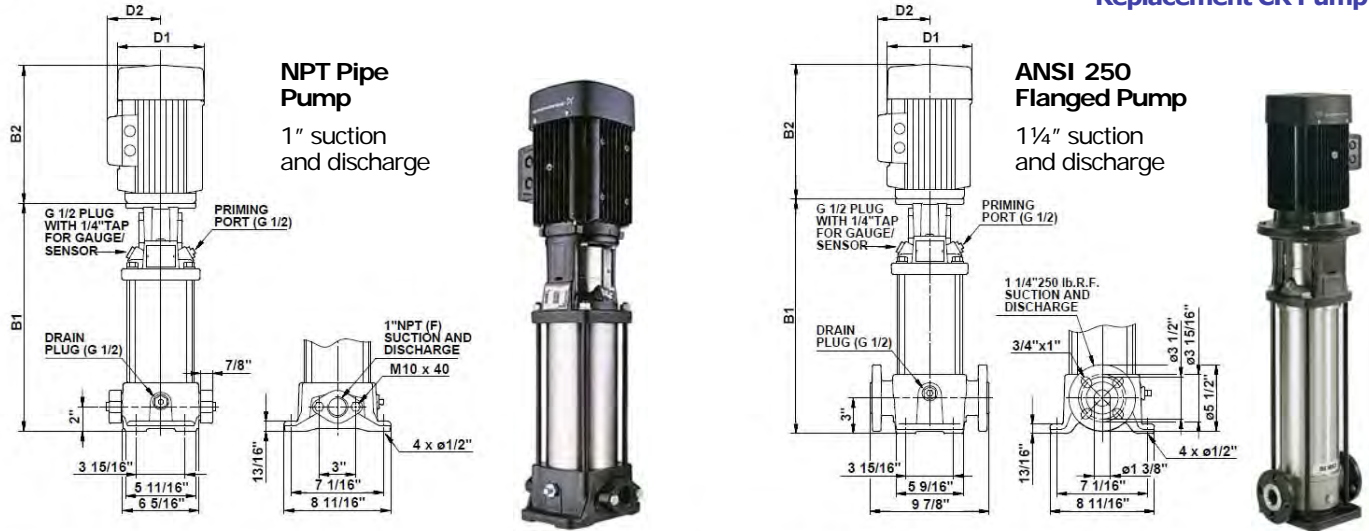
CR, CRI, CRN 1



Grundfos CR-3, CRI-3 and CRN-3 Ratings/Dimensions

CR 3 Pump connection dimensions the same for the CRI-3 and CRN-3 models.

QUOTE REQUEST for a Replacement CR Pump



Pump type	HP	Phase	Oval*	ANSI dimensions [inch (mm)]				Ship. wt. [lbs (kg)]
				B1	TEFC—Totally Enclosed, Fan-Cooled Motor			
					D1	D2	B1+B2	
CR 3-2	1/3 hp	1	•	11.97 (305)	6.19 (158)	5.18 (132)	21.26 (541)	69 (32)
		3	•	11.97 (305)	5.55 (141)	4.57 (117)	19.41 (494)	67 (31)
CR 3-3	1/2 hp	1	•	11.97 (305)	6.19 (158)	5.18 (132)	21.26 (541)	73 (34)
		3	•	11.97 (305)	5.55 (141)	4.57 (117)	19.41 (494)	67 (31)
CR 3-4	1/2 hp	1	•	12.68 (323)	6.19 (158)	5.18 (132)	22.59 (574)	78 (36)
		3	•	12.68 (323)	5.55 (141)	4.57 (117)	20.12 (512)	69 (32)
CR 3-5	1/2 hp	1	•	13.39 (341)	6.19 (158)	5.18 (132)	23.30 (592)	79 (36)
		3	•	13.39 (341)	5.55 (141)	4.57 (117)	20.83 (530)	70 (32)
CR 3-6	1 hp	1	•	14.09 (358)	7.19 (183)	5.73 (146)	25.28 (643)	91 (42)
		3	•	14.09 (358)	5.55 (141)	4.57 (117)	21.53 (547)	71 (33)
CR 3-7	1 hp	1	•	14.80 (376)	7.19 (183)	5.73 (146)	26.48 (673)	95 (44)
		3	•	14.80 (376)	5.55 (141)	4.57 (117)	23.42 (595)	72 (33)
CR 3-8	1 1/2 hp	1	•	15.51 (394)	7.19 (183)	5.73 (146)	27.19 (691)	96 (44)
		3	•	15.51 (394)	5.55 (141)	4.57 (117)	24.13 (613)	73 (34)
CR 3-9	1 1/2 hp	1	•	16.22 (412)	7.19 (183)	5.73 (146)	27.90 (709)	97 (44)
		3	•	16.22 (412)	5.55 (141)	4.57 (117)	24.84 (631)	74 (34)
CR 3-10	2 hp	1	•	16.93 (431)	7.19 (183)	5.73 (146)	29.49 (750)	109 (50)
		3	•	16.93 (431)	7.01 (179)	4.33 (110)	28.15 (716)	96 (44)
CR 3-11	2 hp	1	•	17.64 (449)	7.19 (183)	5.73 (146)	30.20 (768)	110 (50)
		3	•	17.64 (449)	7.01 (179)	4.33 (110)	28.86 (734)	101 (46)
CR 3-12	2 hp	1	•	18.35 (467)	7.19 (183)	5.73 (146)	30.91 (786)	111 (51)
		3	•	18.35 (467)	7.01 (179)	4.33 (110)	29.57 (752)	102 (47)
CR 3-13	3 hp	1	•	20.16 (513)	8.60 (219)	6.87 (175)	34.81 (885)	147 (67)
		3	•	20.16 (513)	7.01 (179)	4.33 (110)	33.39 (849)	118 (54)
CR 3-15	3 hp	1	•	21.57 (548)	8.60 (219)	6.87 (175)	36.22 (920)	149 (68)
		3	•	21.57 (548)	7.01 (179)	4.33 (110)	34.80 (884)	120 (55)
CR 3-17	3 hp	1	•	22.99 (584)	8.60 (219)	6.87 (175)	37.64 (957)	150 (69)
		3	•	22.99 (584)	7.01 (179)	4.33 (110)	36.22 (920)	121 (55)
CR 3-19	5 hp	1	-	24.41 (621)	10.62 (270)	7.46 (190)	39.93 (1015)	179 (82)
		3	-	24.41 (621)	8.66 (220)	5.28 (135)	39.92 (1014)	175 (80)
CR 3-21	5 hp	1	-	25.83 (657)	10.62 (270)	7.46 (190)	41.35 (1051)	181 (83)
		3	-	25.83 (657)	8.66 (220)	5.28 (135)	41.34 (1051)	177 (81)
CR 3-23	5 hp	1	-	27.24 (692)	10.62 (270)	7.46 (190)	42.76 (1087)	182 (83)
		3	-	27.24 (692)	8.66 (220)	5.28 (135)	42.75 (1086)	179 (82)
CR 3-25	5 hp	1	-	28.66 (728)	10.62 (270)	7.46 (190)	44.18 (1123)	184 (84)
		3	-	28.66 (728)	8.66 (220)	5.28 (135)	44.17 (1122)	181 (83)

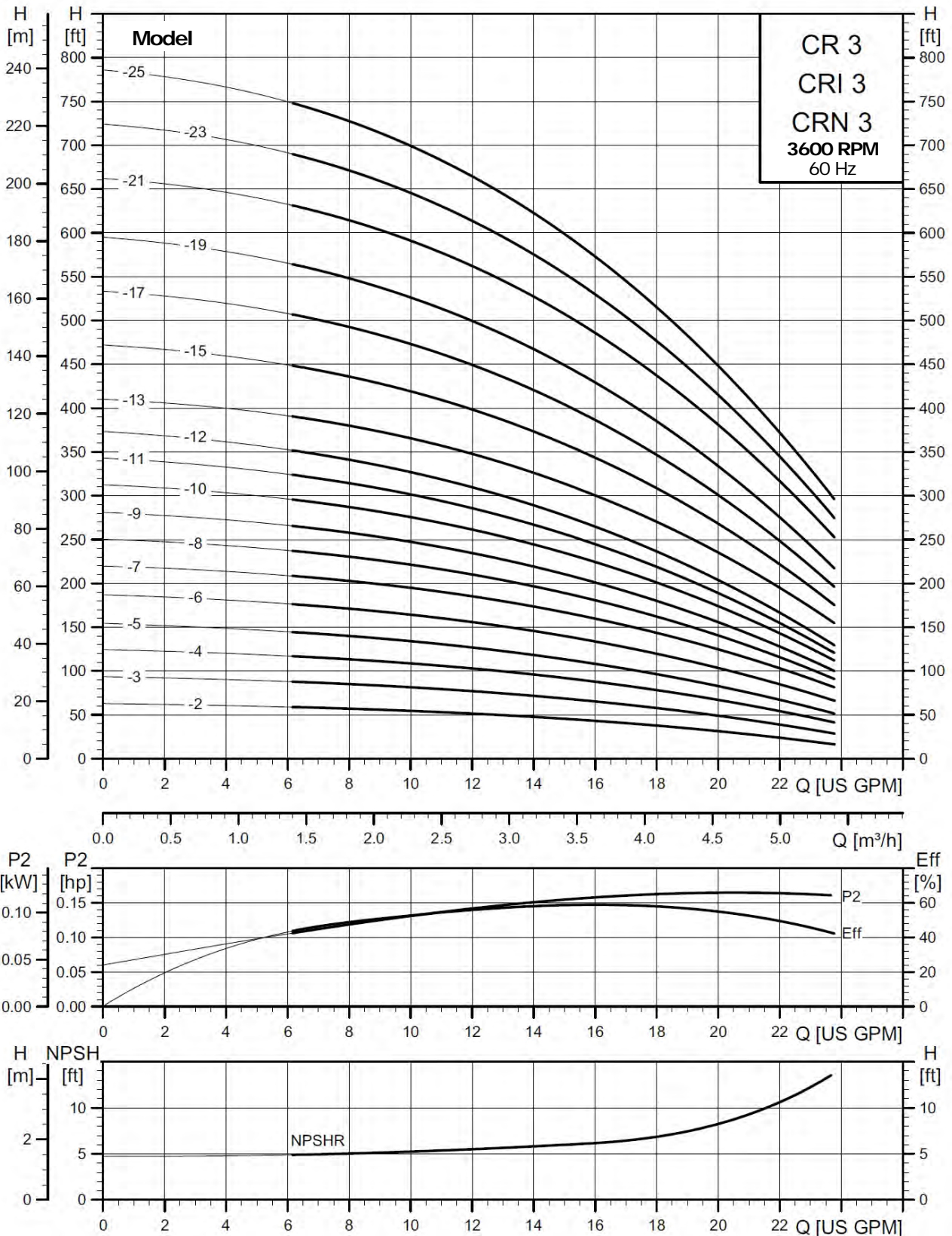
All dimensions in inches unless otherwise noted.

* Oval flanged pump B1 and B1+B2 dimension is one inch less than ANSI flanged pump and weight is approximately 9 lbs. less.

CR Series pumps contain both cast iron and 304 stainless steel components within the pumping cavity. This series is generally used in both steam and hot water heating systems, and other general HVAC pumping applications. **Operation temperature** (with standard sealHBOE) from 32 to 248° F; **Operating pressure** to 125 psi.

Grundfos CR-3, CRI-3 and CRN-3 Pump Curves

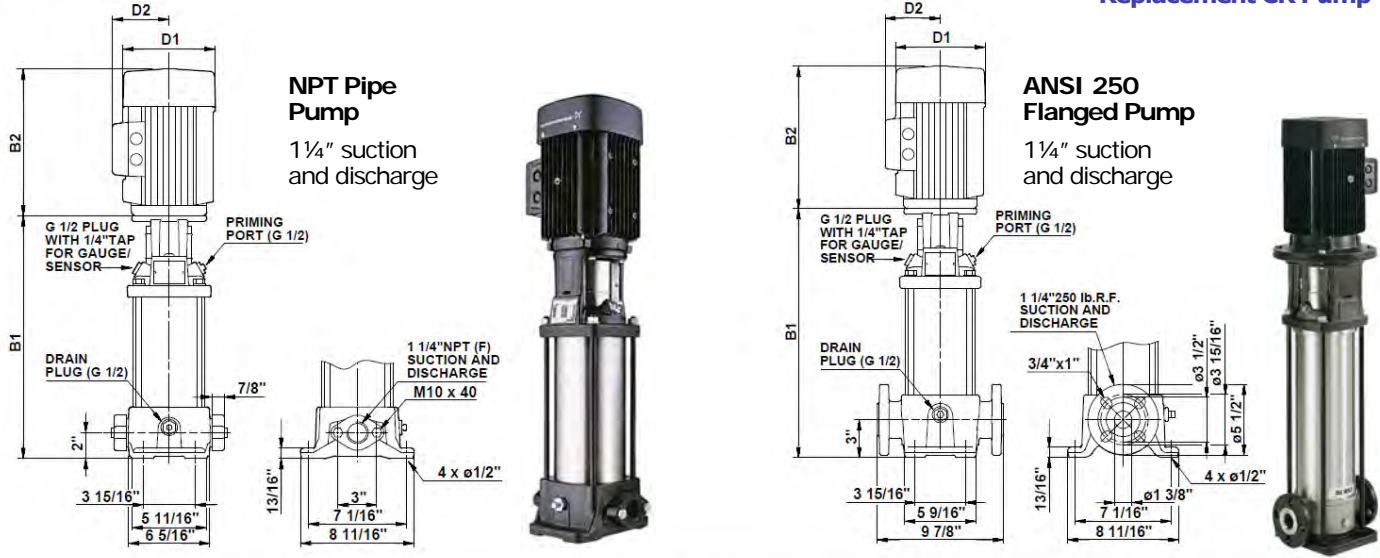
CR, CRI, CRN 3



Grundfos CR-5, CRI-5 and CRN-5 Ratings/Dimensions

CR 5 Pump connection dimensions the same for the CRI-5 and CRN-5 models.

QUOTE REQUEST for a Replacement CR Pump

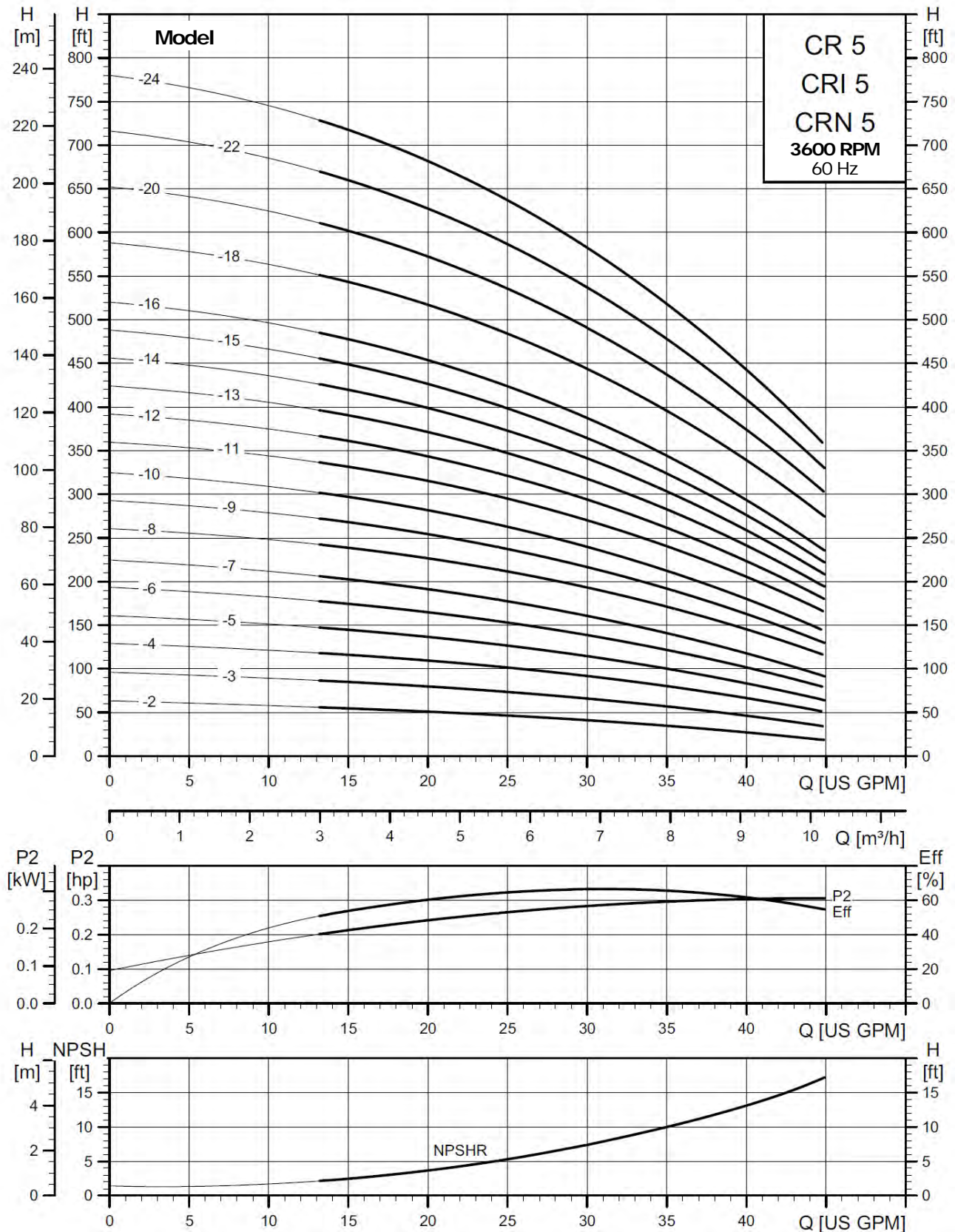


Pump type	HP	Phase	Oval*	ANSI dimensions [inch (mm)]				Ship. wt. [lbs (kg)]
				B1	TEFC—Totally Enclosed, Fan-Cooled Motor			
					D1	D2	B1+B2	
CR 5-2	3/4 hp	1	•	11.97 (305)	6.19 (158)	5.18 (132)	21.88 (556)	77 (35)
		3	•	11.97 (305)	5.55 (141)	4.57 (117)	19.41 (494)	68 (31)
CR 5-3	1 hp	1	•	13.03 (331)	7.19 (183)	5.73 (146)	24.22 (616)	90 (41)
		3	•	13.03 (331)	5.55 (141)	4.57 (117)	20.47 (520)	69 (32)
CR 5-4	1 hp	1	•	14.09 (358)	7.19 (183)	5.73 (146)	25.77 (655)	94 (43)
		3	•	14.09 (358)	5.55 (141)	4.57 (117)	22.71 (577)	71 (33)
CR 5-5	2 hp	1	•	15.16 (386)	7.19 (183)	5.73 (146)	27.72 (705)	106 (49)
		3	•	15.16 (386)	7.01 (179)	4.33 (110)	26.38 (671)	93 (43)
CR 5-6	2 hp	1	•	16.22 (412)	7.19 (183)	5.73 (146)	28.78 (732)	108 (49)
		3	•	16.22 (412)	7.01 (179)	4.33 (110)	27.44 (697)	95 (44)
CR 5-7	3 hp	1	•	18.39 (468)	8.60 (219)	6.87 (175)	33.04 (840)	143 (65)
		3	•	18.39 (468)	7.01 (179)	4.33 (110)	31.62 (804)	114 (52)
CR 5-8	3 hp	1	•	19.45 (495)	8.60 (219)	6.87 (175)	34.10 (867)	145 (66)
		3	•	19.45 (495)	7.01 (179)	4.33 (110)	32.68 (831)	116 (53)
CR 5-9	3 hp	1	•	20.51 (521)	8.60 (219)	6.87 (175)	35.16 (894)	147 (67)
		3	•	20.51 (521)	7.01 (179)	4.33 (110)	33.74 (857)	118 (54)
CR 5-10	3 hp	1	•	21.57 (548)	10.62 (270)	7.46 (190)	37.09 (943)	170 (78)
		3	•	21.57 (548)	8.66 (220)	5.28 (135)	37.08 (942)	168 (77)
CR 5-11	3 hp	1	•	22.64 (576)	10.62 (270)	7.46 (190)	38.16 (970)	172 (79)
		3	•	22.64 (576)	8.66 (220)	5.28 (135)	38.15 (970)	169 (77)
CR 5-12	3 hp	1	•	23.7 (602)	10.62 (270)	7.46 (190)	39.22 (997)	177 (81)
		3	•	23.7 (602)	8.66 (220)	5.28 (135)	39.21 (996)	170 (78)
CR 5-13	5 hp	1	•	24.76 (629)	10.62 (270)	7.46 (190)	40.28 (1024)	178 (81)
		3	•	24.76 (629)	8.66 (220)	5.28 (135)	40.27 (1023)	171 (78)
CR 5-14	5 hp	1	•	25.83 (657)	10.62 (270)	7.46 (190)	41.35 (1051)	180 (82)
		3	•	25.83 (657)	8.66 (220)	5.28 (135)	41.34 (1051)	176 (80)
CR 5-15	5 hp	1	•	26.89 (684)	10.62 (270)	7.46 (190)	42.41 (1078)	181 (83)
		3	•	26.89 (684)	8.66 (220)	5.28 (135)	42.40 (1077)	177 (81)
CR 5-16	5 hp	1	•	27.95 (710)	10.62 (270)	7.46 (190)	43.47 (1105)	182 (83)
		3	•	27.95 (710)	8.66 (220)	5.28 (135)	43.46 (1104)	178 (81)
CR 5-18	5 hp	1	-	30.59 (777)	10.22 (260)	7.62 (194)	46.12 (1172)	200 (91)
		3	-	30.59 (777)	8.66 (220)	5.28 (135)	46.19 (1171)	188 (86)
CR 5-20	7 1/2 hp	1	-	32.72 (832)	10.22 (260)	7.62 (194)	48.25 (1226)	203 (93)
		3	-	32.72 (832)	8.66 (220)	5.28 (135)	48.23 (1226)	190 (87)
CR 5-22	7 1/2 hp	1	-	34.84 (885)	10.22 (260)	7.62 (194)	50.37 (1280)	300 (137)
		3	-	34.84 (885)	8.66 (220)	5.28 (135)	50.35 (1279)	287 (131)
CR 5-24	7 1/2 hp	1	-	36.97 (940)	10.22 (260)	7.62 (194)	52.50 (1334)	302 (137)
		3	-	36.97 (940)	8.66 (220)	5.28 (135)	52.48 (1333)	290 (132)

CR Series pumps contain both cast iron and 304 stainless steel components within the pumping cavity. This series is generally used in both steam and hot water heating systems, and other general HVAC pumping applications. **Operation temperature** (with standard sealHBQE) from 32 to 248° F; **Operating pressure** to 125 psi.

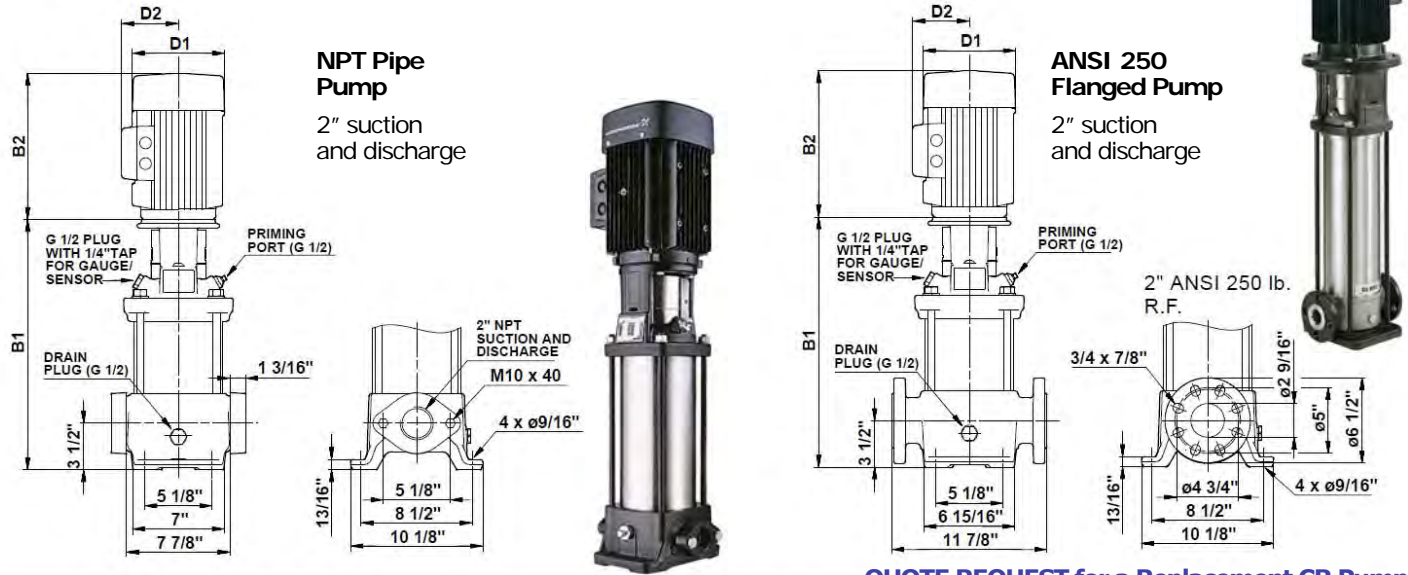
Grundfos CR-5, CRI-5 and CRN-5 Pump Curves

CR, CRI, CRN 5



Grundfos CR-10, CRI-10 and CRN-10 Ratings/Dimensions

CR 10 Pump connection dimensions the same for the CRI-10 and CRN-10 models.



QUOTE REQUEST for a Replacement CR Pump

Pump type	HP	Phase	Oval*	ANSI dimensions [inch (mm)]									Ship. wt. [lbs (kg)]
				B1	TEFC—Totally Enclosed, Fan-Cooled Motor			ODP					
					D1	D2	B1+B2	D1	D2	B1+B2			
CR 10-1	3/4 hp	1	•	15.28 (389)	6.19 (158)	5.18 (132)	25.19 (640)	ODP Motors available in 15 HP			115 (53)		
		3	•	15.28 (389)	5.55 (141)	4.57 (117)	22.72 (578)	-	-	-	106 (49)		
CR 10-2	1 1/2 hp	1	•	15.28 (389)	7.19 (183)	5.73 (146)	26.96 (685)	-	-	-	128 (59)		
		3	•	15.28 (389)	5.55 (141)	4.57 (117)	23.90 (608)	-	-	-	106 (49)		
CR 10-3	3 hp	1	•	17.20 (437)	8.60 (219)	6.87 (175)	31.85 (809)	-	-	-	183 (84)		
		3	•	17.20 (437)	7.01 (179)	4.33 (110)	30.43 (773)	-	-	-	153 (70)		
CR 10-4	3 hp	1	•	18.39 (468)	8.60 (219)	6.87 (175)	33.04 (840)	-	-	-	183 (84)		
		3	•	18.39 (468)	7.01 (179)	4.33 (110)	31.62 (804)	-	-	-	156 (71)		
CR 10-5	5 hp	1	•	19.57 (498)	10.62 (270)	7.46 (190)	35.09 (892)	-	-	-	209 (95)		
		3	•	19.57 (498)	8.66 (220)	5.28 (135)	35.08 (892)	-	-	-	206 (94)		
CR 10-6	5 hp	1	•	20.75 (528)	10.62 (270)	7.46 (190)	36.27 (922)	-	-	-	212 (97)		
		3	•	20.75 (528)	8.66 (220)	5.28 (135)	36.26 (922)	-	-	-	208 (95)		
CR 10-7	5 hp	1	-	22.25 (566)	10.22 (260)	7.62 (194)	37.78 (960)	-	-	-	232 (106)		
		3	-	22.25 (566)	8.66 (220)	5.28 (135)	37.76 (960)	-	-	-	221 (101)		
CR 10-8	7 1/2 hp	1	-	23.43 (596)	10.22 (260)	7.62 (194)	38.96 (990)	-	-	-	234 (107)		
		3	-	23.43 (596)	8.66 (220)	5.28 (135)	38.94 (990)	-	-	-	223 (102)		
CR 10-9	7 1/2 hp	1	-	24.61 (626)	10.22 (260)	7.62 (194)	40.14 (1020)	-	-	-	236 (108)		
		3	-	24.61 (626)	8.66 (220)	5.28 (135)	40.12 (1020)	-	-	-	225 (103)		
CR 10-10	10 hp	1	-	25.79 (656)	10.22 (260)	7.62 (194)	41.32 (1050)	-	-	-	238 (108)		
		3	-	25.79 (656)	8.66 (220)	5.28 (135)	41.30 (1050)	-	-	-	227 (103)		
CR 10-12	10 hp	1	-	28.15 (716)	10.23 (260)	10.30 (262)	44.22 (1124)	-	-	-	355 (162)		
		3	-	28.15 (716)	10.24 (261)	6.26 (160)	42.88 (1090)	-	-	-	232 (106)		
CR 10-14	15 hp	1	-	33.06 (840)	12.36 (314)	8.00 (204)	51.60 (1311)	10.62 (270)	7.33 (187)	49.37 (1254)	414 (188)		
		3	-	35.43 (900)	12.36 (314)	8.00 (204)	53.97 (1371)	10.62 (270)	7.33 (187)	51.74 (1315)	422 (192)		
CR 10-17	15 hp	3	-	37.80 (961)	12.36 (314)	8.00 (204)	56.34 (1432)	10.62 (270)	7.33 (187)	54.11 (1375)	426 (194)		

All dimensions in inches unless otherwise noted.

* Oval flanged pump B1 and B1+B2 dimension is equal to ANSI flanged pumps and weight is approximately 3 lbs. less.

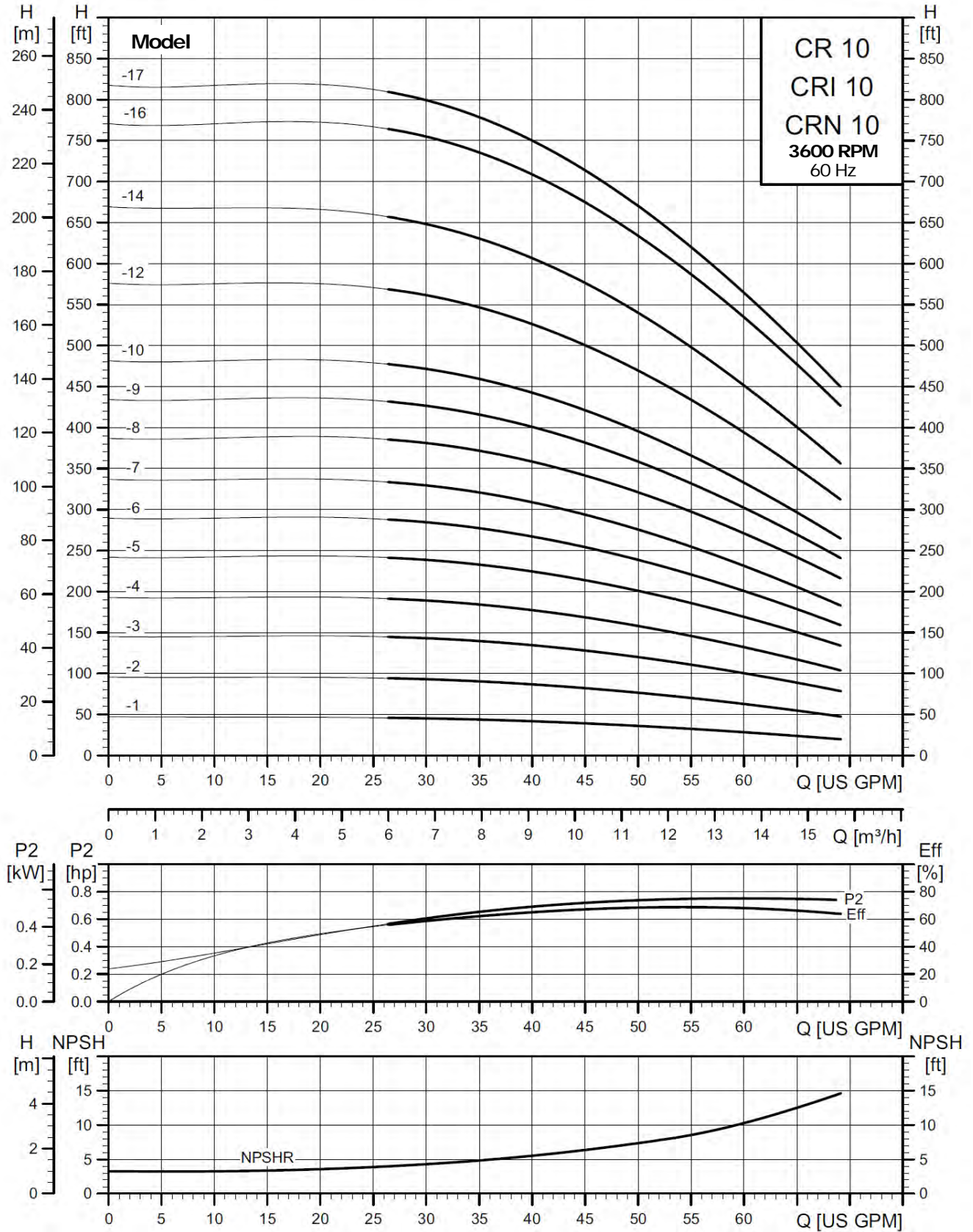
CR Series pumps contain both cast iron and 304 stainless steel components within the pumping cavity.

This series is generally used in both steam and hot water heating systems, and other general HVAC pumping applications.

Operation temperature (with standard seal HBQE) from 32 to 248° F; **Operating pressure** to 125 psi.

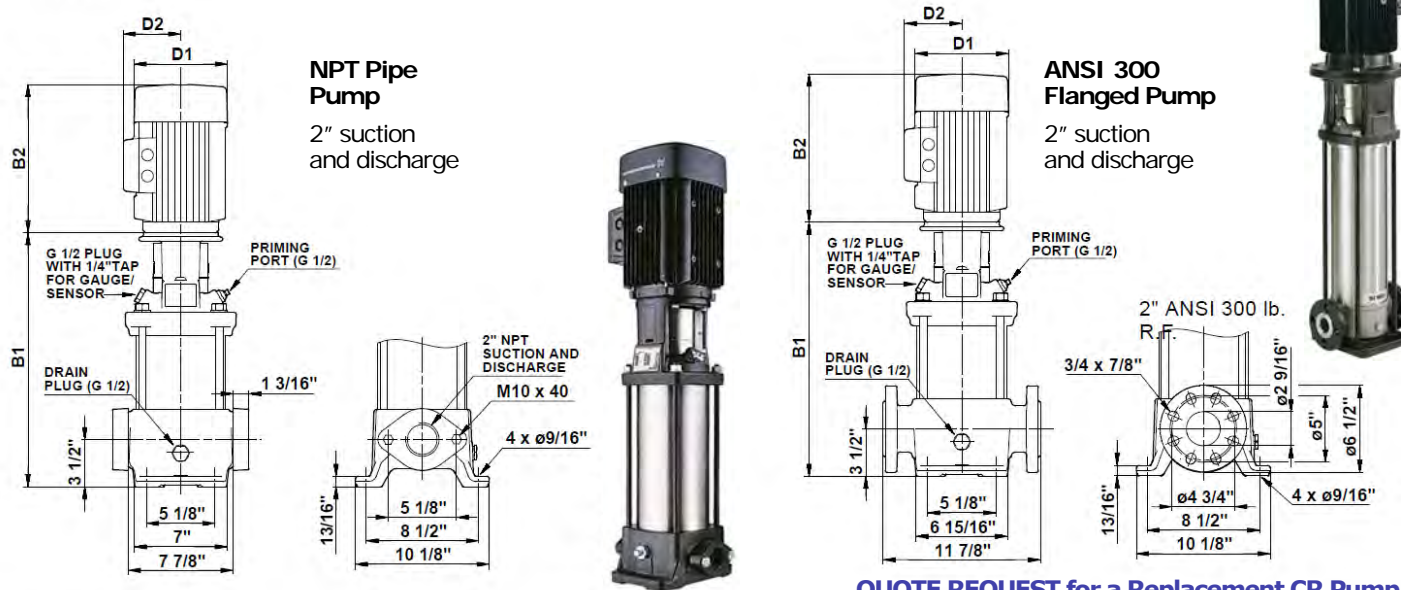
Grundfos CR-10, CRI-10 and CRN-10 Pump Curves

CR, CRI, CRN 10



Grundfos CR-15, CRI-15 and CRN-15 Ratings/Dimensions

CR 15 Pump connection dimensions the same for the CRI-15 and CRN-15 models.



QUOTE REQUEST for a Replacement CR Pump

Pump type	HP	Phase	Oval*	ANSI dimensions [inch (mm)]									Ship. wt. [lbs (kg)]
				B1	TEFC—Totally Enclosed, Fan-Cooled Motor			ODP					
					D1	D2	B1+B2	D1	D2	B1+B2			
CR 15-1	2 hp	1	•	16.46 (419)	7.19 (183)	5.73 (146)	29.02 (738)	ODP Motors available in 15, 20 & 25 HP			139 (64)		
		3	•	16.46 (419)	7.01 (179)	4.33 (110)	27.68 (704)	-	-	-	128 (59)		
CR 15-2	5 hp	1	•	17.20 (437)	10.62 (270)	7.46 (190)	32.72 (832)	-	-	-	205 (93)		
		3	•	17.20 (437)	8.66 (220)	5.28 (135)	32.71 (831)	-	-	-	201 (92)		
CR 15-3	7½ hp	1	•	19.29 (490)	10.22 (260)	7.62 (194)	34.82 (885)	-	-	-	223 (102)		
		3	•	19.29 (490)	8.66 (220)	5.28 (135)	34.80 (884)	-	-	-	212 (97)		
CR 15-4	10 hp	1	•	21.06 (535)	10.22 (260)	7.62 (194)	36.59 (930)	-	-	-	225 (103)		
		3	•	21.06 (535)	8.66 (220)	5.28 (135)	36.57 (929)	-	-	-	214 (98)		
CR 15-5	15 hp	1	•	22.83 (580)	10.23 (260)	10.30 (262)	38.90 (989)	-	-	-	342 (156)		
		3	•	22.83 (580)	10.24 (261)	6.26 (160)	37.56 (955)	-	-	-	218 (99)		
CR 15-6	20 hp	3	-	27.17 (691)	12.36 (314)	8.00 (204)	45.71 (1162)	10.62 (270)	7.33 (187)	43.48 (1105)	347 (158)		
CR 15-7		3	-	28.94 (736)	12.36 (314)	8.00 (204)	47.48 (1206)	10.62 (270)	7.33 (187)	45.25 (1150)	378 (172)		
CR 15-8	25 HP	3	-	30.71 (781)	12.36 (314)	8.00 (204)	49.25 (1251)	10.62 (270)	7.33 (187)	47.02 (1195)	409 (186)		
CR 15-9		3	-	32.48 (825)	12.36 (314)	8.00 (204)	51.02 (1296)	11.50 (293)	8.92 (227)	52.17 (1326)	417 (190)		
CR 15-10	25 HP	3	-	34.25 (870)	12.36 (314)	8.00 (204)	52.79 (1341)	11.50 (293)	8.92 (227)	53.94 (1371)	421 (191)		
CR 15-12		3	-	37.17 (945)	12.36 (314)	8.00 (204)	59.56 (1513)	11.50 (293)	8.94 (228)	57.98 (1473)	422 (192)		

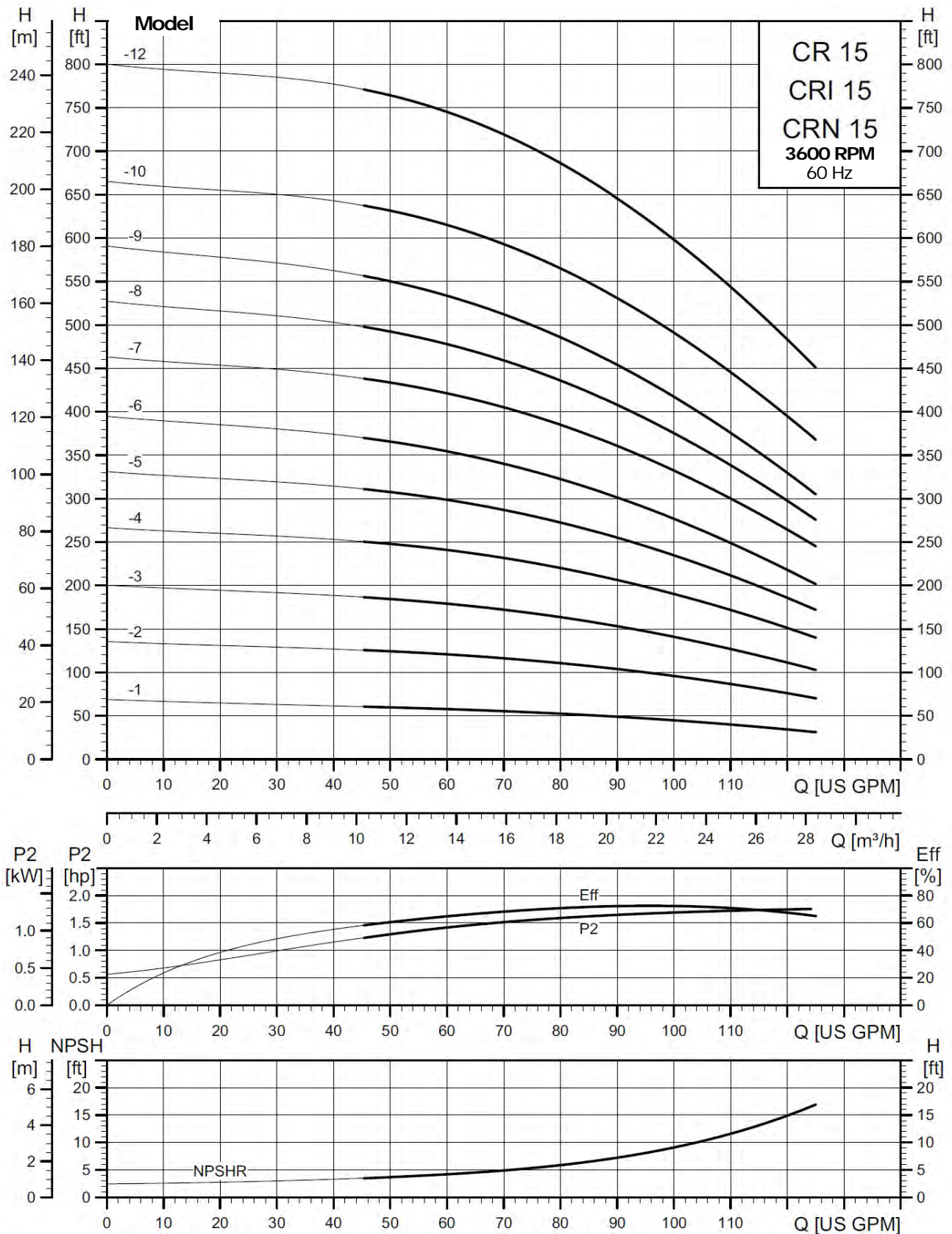
All dimensions in inches unless otherwise noted.

* Oval flanged pump B1 and B1+B2 dimension is equal to ANSI flanged pumps and weight is approximately 3 lbs. less.

CR Series pumps contain both cast iron and 304 stainless steel components within the pumping cavity. This series is generally used in both steam and hot water heating systems, and other general HVAC pumping applications. **Operation temperature** (with standard seal HBQE) from 32 to 248° F; **Operating pressure** to 125 psi.

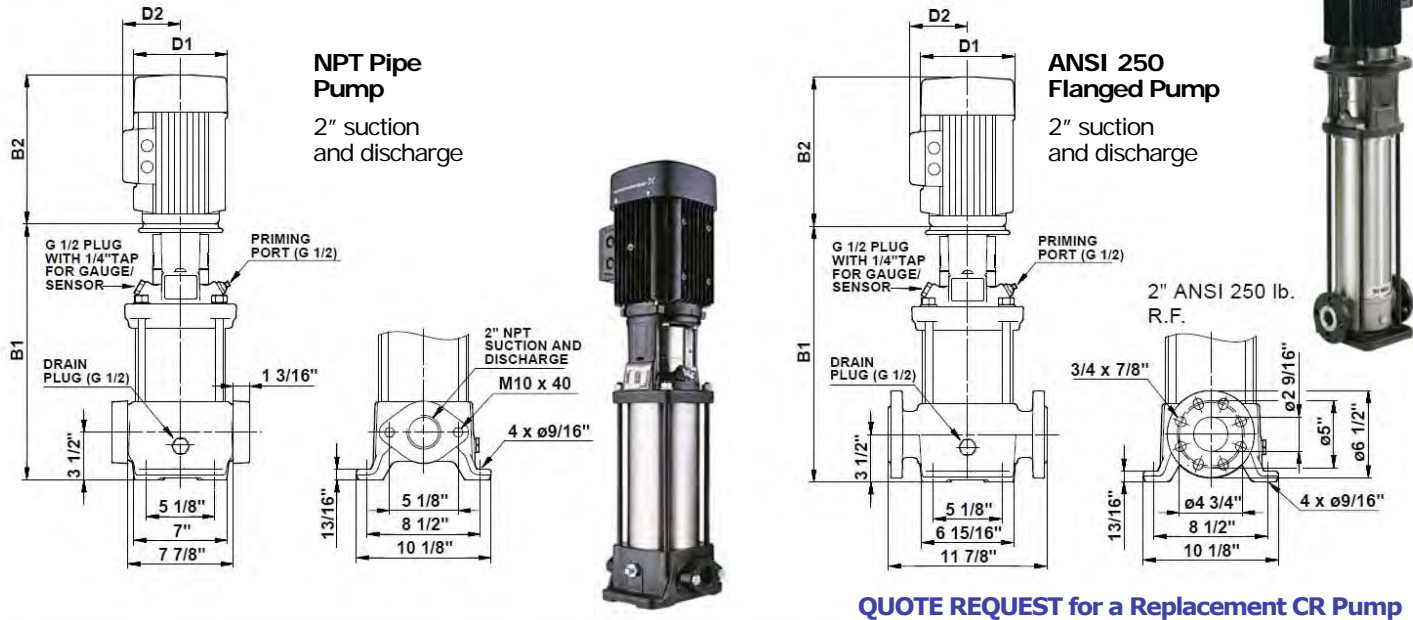
Grundfos CR-15, CRI-15 and CRN-15 Pump Curves

CR, CRI, CRN 15



Grundfos CR-20, CRI-20 and CRN-20 Ratings/Dimensions

CR 20 Pump connection dimensions the same for the CRI-20 and CRN-20 models.



QUOTE REQUEST for a Replacement CR Pump

Pump type	HP	Phase	ANSI dimensions [inch (mm)]							Ship. wt. [lbs (kg)]	
			Oval*	B1	TEFC—Totally Enclosed, Fan-Cooled Motor			ODP			
					D1	D2	B1+B2	D1	D2		B1+B2
CR 20-1	3 hp	1	•	17.20 (437)	8.60 (219)	6.87 (175)	31.85 (809)	ODP Motors available in 15, 20 & 25 HP			181 (83)
		3	•	17.20 (437)	7.01 (179)	4.33 (110)	30.43 (773)	-	-	-	151 (69)
CR 20-2	5 hp	1	•	17.20 (437)	10.62 (270)	7.46 (190)	32.72 (832)	-	-	-	205 (93)
		3	•	17.20 (437)	8.66 (220)	5.28 (135)	32.71 (831)	-	-	-	201 (92)
CR 20-3	7½ hp	1	•	19.29 (490)	10.22 (260)	7.62 (194)	34.82 (885)	-	-	-	223 (102)
		3	•	19.29 (490)	8.66 (220)	5.28 (135)	34.80 (884)	-	-	-	209 (95)
CR 20-4	10 hp	1	•	21.06 (535)	10.23 (260)	10.30 (262)	37.13 (944)	-	-	-	337 (153)
		3	•	21.06 (535)	10.24 (261)	6.26 (160)	35.79 (910)	-	-	-	214 (98)
CR 20-5	15 hp	3	•	25.39 (645)	12.36 (314)	8.00 (204)	43.93 (1116)	10.62 (270)	7.33 (187)	41.70 (1060)	369 (168)
CR 20-6		3	•	27.17 (691)	12.36 (314)	8.00 (204)	45.71 (1162)	10.62 (270)	7.33 (187)	43.48 (1105)	373 (170)
CR 20-7	20 hp	3	•	28.94 (736)	12.36 (314)	8.00 (204)	47.48 (1206)	11.5 (293)	8.92 (227)	48.63 (1236)	409 (186)
CR 20-8		3	-	30.71 (781)	12.36 (314)	8.00 (204)	49.25 (1251)	11.5 (293)	8.92 (227)	50.40 (1281)	413 (188)
CR 20-10	25 HP	3	-	33.62 (854)	12.36 (314)	8.00 (204)	56.01 (1423)	11.5 (293)	8.94 (228)	54.43 (1383)	413 (188)

CR Series pumps contain both cast iron and 304 stainless steel components within the pumping cavity. Generally used in both steam and hot water HVAC pumping applications. **Operation temperature** (with standard seal HBQE) from 32 to 248° F; **Operating pressure** to 125 psi.

CR Flange Guide

The adjoining guide displays the material of construction and the pressure class for the flanges associated with the related CR pump models.

■ The multiflange used on a CR-1s through CR-20 can be used on both 125 and 250 psi applications.

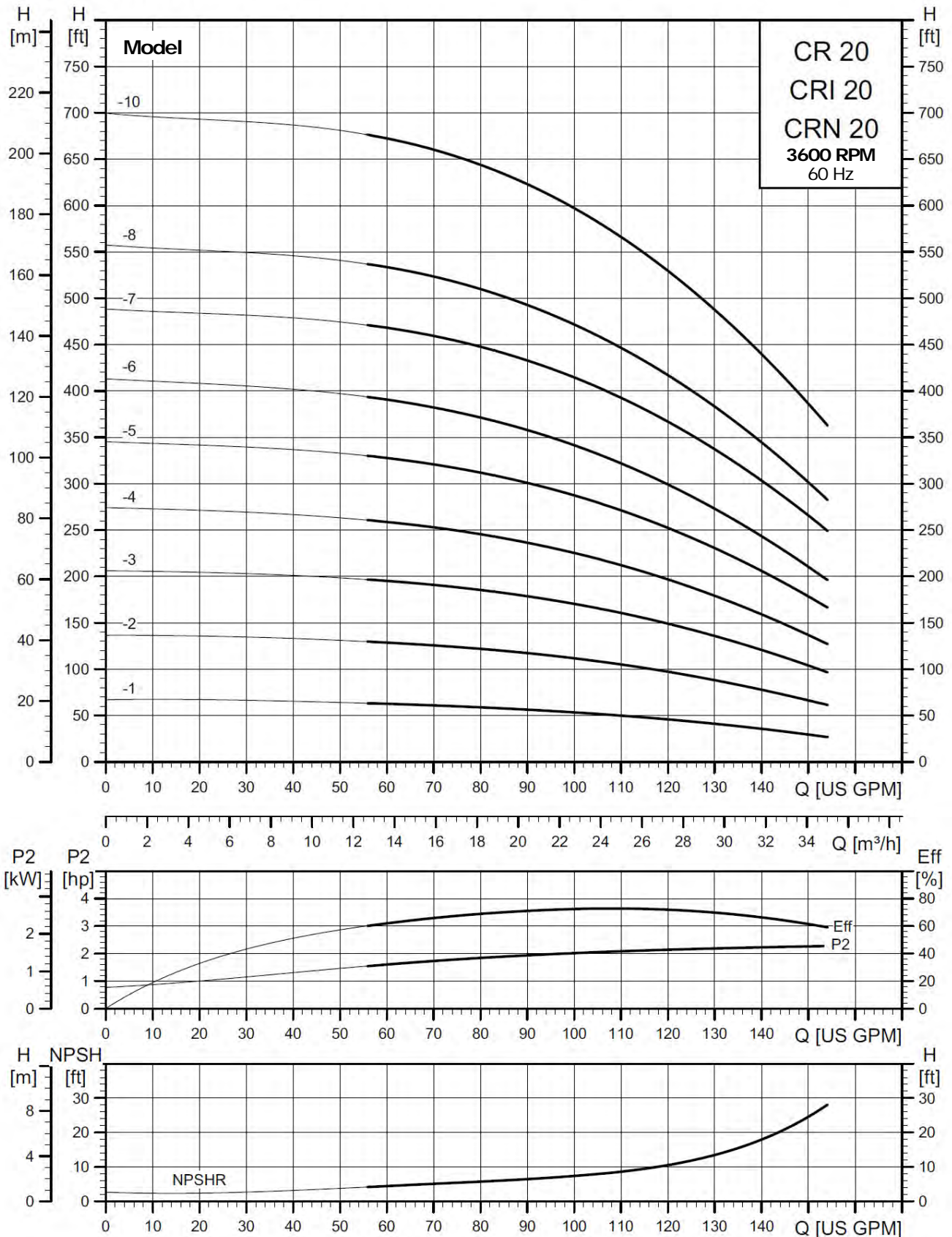
■ The multiflange on a CRI/CRN-1s through CRI/CRN-20 can be used on both 150 and 300 psi applications.

■ All other mating flange classes must match the pump flange class.

Pump	Flange	Size	Material	Pressure class	Mate with:
CR-1s to CR-5		1.25 in	Cast Iron	250 lb	125 or 250 lb
CRI & CRN-1s to CRI & CRN-5		1.25 in	Ductile Iron	300 lb	150 or 300 lb
CR-10 to CR-20		2 in	Cast Iron	250 lb	125 or 250 lb
CRI & CRN-10 to CRI & CRN-20		2 in	Ductile Iron	300 lb	150 or 300 lb

Grundfos CR-20, CRI-20 and CRN-20 Pump Curves

CR, CRI, CRN 20



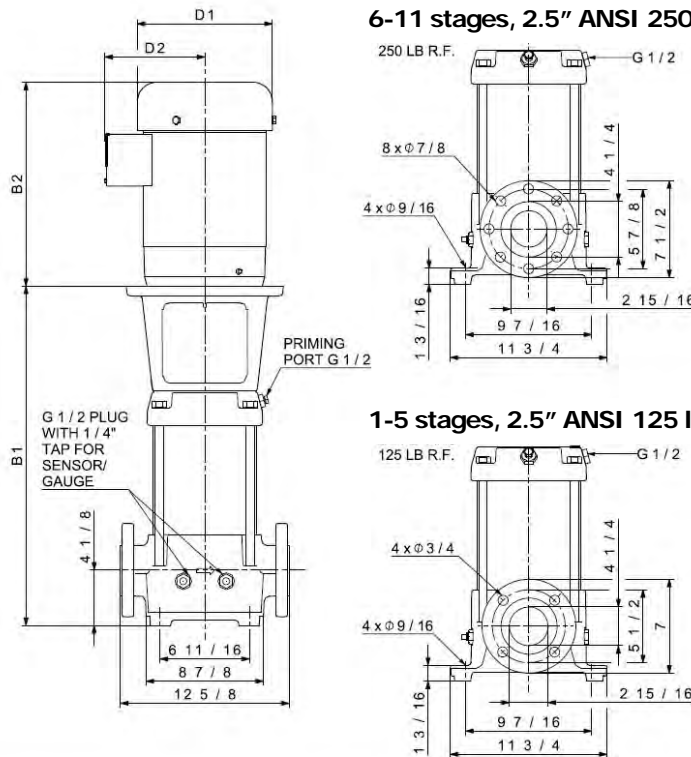
Grundfos CR-32 and CRN-32 Ratings/Dimensions

CR 32 Pump connection dimensions the same for the CRN-32 models.

QUOTE REQUEST for a Replacement CR Pump



ANSI 125 Flanged Pump
2½" suction and discharge

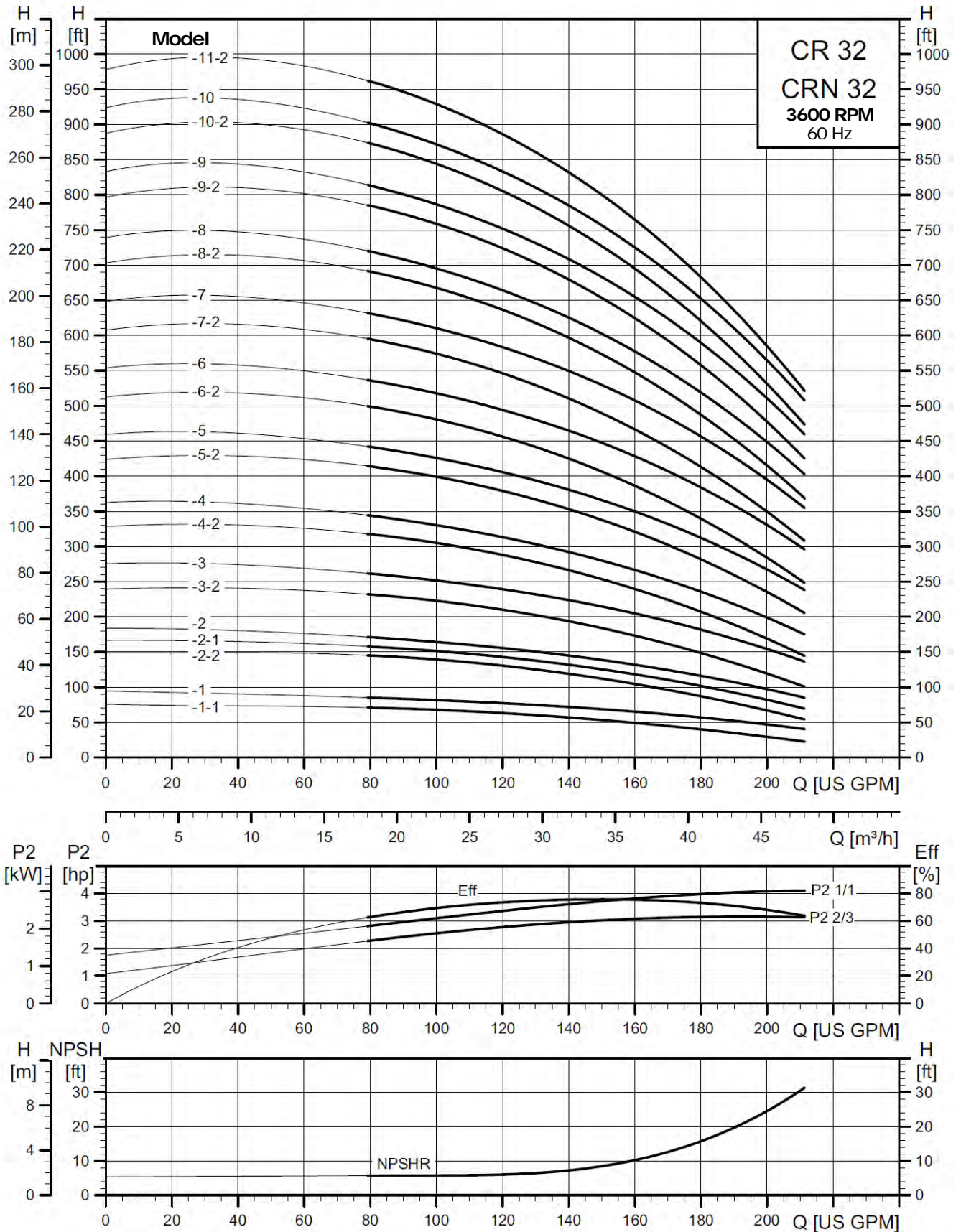


Pump type	HP P2 [Hp]	Phase Ph.	ANSI dimensions [inch (mm)]									Ship. wt. ¹⁾ [lbs (kg)]
			B1	TEFC—Totally Enclosed, Fan-Cooled Motor			ODP					
				D1	D2	B1+B2	D1	D2	B1+B2			
CR 32-1-1	5	1	20.08 (511)	10.62 (270)	7.46 (190)	35.60 (905)	ODP Motors available in 15 to 25 HP			240 (109)		
		3	19.88 (505)	8.66 (220)	5.28 (135)	35.39 (899)	-	-	-	218 (99)		
CR 32-1	5	1	20.08 (511)	10.62 (270)	7.46 (190)	35.60 (905)	-	-	-	228 (104)		
		3	19.88 (505)	8.66 (220)	5.28 (135)	35.39 (899)	-	-	-	218 (99)		
CR 32-2-2	7 1/2	1	22.83 (580)	10.22 (260)	7.62 (194)	38.36 (975)	-	-	-	245 (112)		
		3	22.64 (576)	8.66 (220)	5.28 (135)	38.15 (970)	-	-	-	229 (104)		
CR 32-2-1	7 1/2	1	22.83 (580)	10.22 (260)	7.62 (194)	38.36 (975)	-	-	-	245 (112)		
		3	22.64 (576)	8.66 (220)	5.28 (135)	38.15 (970)	-	-	-	229 (104)		
CR 32-2	10	1	22.83 (580)	10.23 (260)	10.30 (262)	38.90 (989)	-	-	-	300 (137)		
		3	22.64 (576)	10.24 (261)	6.26 (160)	37.87 (962)	-	-	-	229 (104)		
CR 32-3-2	10	1	25.59 (650)	10.23 (260)	10.30 (262)	41.66 (1059)	-	-	-	295 (134)		
		3	25.39 (645)	10.24 (261)	6.26 (160)	40.12 (1020)	-	-	-	236 (108)		
CR 32-3	15	3	29.72 (755)	12.36 (314)	8.00 (204)	48.26 (1226)	10.62 (270)	7.33 (187)	46.03 (1170)	332 (151)		
CR 32-4-2	15	3	32.48 (825)	12.36 (314)	8.00 (204)	51.02 (1296)	10.62 (270)	7.33 (187)	48.79 (1240)	339 (154)		
CR 32-4	20	3	32.48 (825)	12.36 (314)	8.00 (204)	51.02 (1296)	11.50 (293)	8.92 (227)	52.17 (1326)	344 (157)		
CR 32-5-2	20	3	35.24 (896)	12.36 (314)	8.00 (204)	53.78 (1367)	11.50 (293)	8.92 (227)	54.93 (1396)	351 (160)		
CR 32-5	20	3	35.24 (896)	12.36 (314)	8.00 (204)	53.78 (1367)	11.50 (293)	8.92 (227)	54.93 (1396)	351 (160)		
CR 32-6-2	25	3	37.99 (965)	12.36 (314)	8.00 (204)	60.38 (1534)	11.50 (293)	8.94 (228)	58.80 (1494)	351 (160)		
CR 32-6	25	3	37.99 (965)	12.36 (314)	8.00 (204)	60.38 (1534)	11.50 (293)	8.94 (228)	58.80 (1494)	351 (160)		
CR 32-7-2	30	3	40.75 (1036)	12.36 (314)	8.00 (204)	63.14 (1604)	11.50 (293)	8.94 (228)	62.56 (1590)	444 (202)		
CR 32-7	30	3	40.75 (1036)	12.36 (314)	8.00 (204)	63.14 (1604)	11.50 (293)	8.94 (228)	62.56 (1590)	423 (192)		
CR 32-8-2	30	3	43.50 (1105)	12.36 (314)	8.00 (204)	65.89 (1674)	11.50 (293)	8.94 (228)	65.31 (1659)	436 (198)		
CR 32-8	40	3	43.50 (1105)	15.32 (390)	13.11 (333)	66.69 (1694)	13.25 (337)	12.21 (311)	66.75 (1696)	631 (287)		
CR 32-9-2	40	3	46.26 (1176)	15.32 (390)	13.11 (333)	69.45 (1765)	13.25 (337)	12.21 (311)	69.51 (1766)	637 (289)		
CR 32-9	40	3	46.26 (1176)	15.32 (390)	13.11 (333)	69.45 (1765)	13.25 (337)	12.21 (311)	69.51 (1766)	637 (289)		
CR 32-10-2	40	3	49.02 (1246)	15.32 (390)	13.11 (333)	72.21 (1835)	13.25 (337)	12.21 (311)	72.27 (1836)	645 (293)		
CR 32-10	40	3	49.02 (1246)	15.32 (390)	13.11 (333)	72.21 (1835)	13.25 (337)	12.21 (311)	72.27 (1836)	645 (293)		
CR 32-11-2	50	3	51.77 (1315)	16.88 (429)	14.12 (359)	79.58 (2022)	13.25 (337)	12.21 (311)	74.52 (1893)	671 (305)		

¹ Shipping weights shown are for the pumps with the slightly heavier TEFC motors.

Grundfos CR-32 and CRN-32 Pump Curves

CR, CRN 32

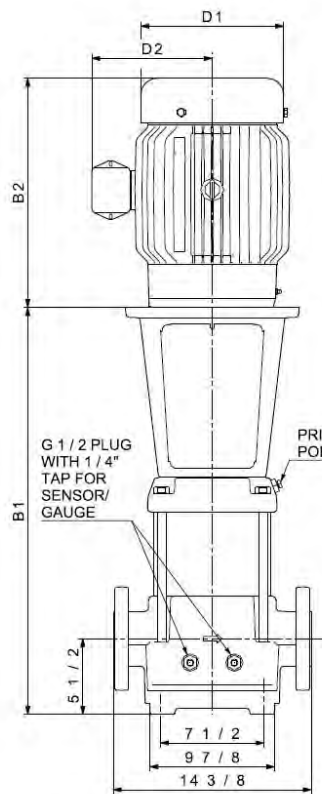


Grundfos CR-45 and CRN-45 Ratings/Dimensions

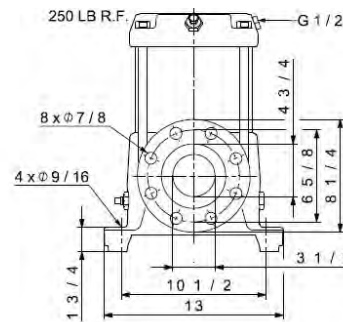
CR 45 Pump connection dimensions the same for the CRN-45 models.



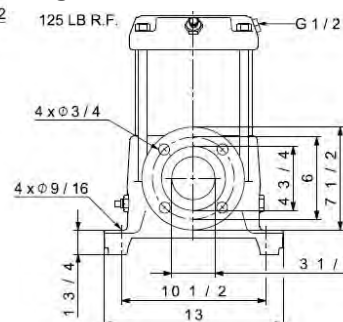
ANSI 125 Flanged Pump
3" suction and discharge



Stages 4-1 to 8-1, 3.0" ANSI 250 lbs.



Stages 1-1 to 4-2, 3.0" ANSI 125 lbs.



Pump type	HP P2 [Hp]	Phase Ph.	ANSI dimensions [Inch (mm)]						Ship. wt. ¹⁾ [lbs (kg)]	
			B1	TEFC—Totally Enclosed, Fan-Cooled Motor			ODP			
				D1	D2	B1+B2	D1	D2		B1+B2
CR 45-1-1	7 1/2	1	22.20 (564)	10.22 (260)	7.62 (194)	37.73 (959)	ODP Motors available in 15 to 60 HP			259 (118)
		3	22.01 (560)	8.66 (220)	5.28 (135)	37.52 (954)				243 (111)
CR 45-1	10	1	22.20 (564)	10.23 (260)	10.30 (262)	38.27 (973)	-	-	-	314 (143)
		3	22.01 (560)	10.24 (261)	6.26 (160)	36.74 (934)	-	-	-	243 (111)
CR 45-2-2	15	3	29.49 (750)	12.36 (314)	8.00 (204)	48.03 (1220)	10.62 (270)	7.33 (187)	45.80 (1164)	347 (158)
CR 45-2-1	15	3	29.49 (750)	12.36 (314)	8.00 (204)	48.03 (1220)	10.62 (270)	7.33 (187)	45.80 (1164)	347 (158)
CR 45-2	15	3	29.49 (750)	12.36 (314)	8.00 (204)	48.03 (1220)	10.62 (270)	7.33 (187)	45.80 (1164)	347 (158)
CR 45-3-2	20	3	32.64 (830)	12.36 (314)	8.00 (204)	51.18 (1300)	11.50 (293)	8.92 (227)	52.33 (1330)	361 (164)
CR 45-3-1	25	3	32.64 (830)	12.36 (314)	8.00 (204)	55.03 (1398)	11.50 (293)	8.94 (228)	53.45 (1358)	353 (161)
CR 45-3	25	3	32.64 (830)	12.36 (314)	8.00 (204)	55.03 (1398)	11.50 (293)	8.94 (228)	53.45 (1358)	353 (161)
CR 45-4-2	30	3	35.79 (910)	12.36 (314)	8.00 (204)	58.18 (1478)	11.50 (293)	8.94 (228)	57.60 (1464)	426 (194)
CR 45-4-1	30	3	35.79 (910)	12.36 (314)	8.00 (204)	58.18 (1478)	11.50 (293)	8.94 (228)	57.60 (1464)	432 (196)
CR 45-4	30	3	35.79 (910)	12.36 (314)	8.00 (204)	58.18 (1478)	11.50 (293)	8.94 (228)	57.60 (1464)	432 (196)
CR 45-5-2	40	3	38.94 (990)	15.32 (390)	13.11 (333)	62.13 (1579)	13.25 (337)	12.21 (311)	62.19 (1580)	634 (288)
CR 45-5-1	40	3	38.94 (990)	15.32 (390)	13.11 (333)	62.13 (1579)	13.25 (337)	12.21 (311)	62.19 (1580)	634 (288)
CR 45-5	40	3	38.94 (990)	15.32 (390)	13.11 (333)	62.13 (1579)	13.25 (337)	12.21 (311)	62.19 (1580)	634 (288)
CR 45-6-2	50	3	42.09 (1070)	16.88 (429)	14.12 (359)	69.90 (1776)	13.25 (337)	12.21 (311)	64.84 (1647)	679 (308)
CR 45-6	50	3	42.09 (1070)	16.88 (429)	14.12 (359)	69.90 (1776)	13.25 (337)	12.21 (311)	64.84 (1647)	679 (308)
CR 45-7-2	50	3	45.24 (1150)	16.88 (429)	14.12 (359)	73.05 (1856)	13.25 (337)	12.21 (311)	67.99 (1727)	689 (313)
CR 45-7	60	3	45.24 (1150)	19.00 (483)	14.90 (379)	76.03 (1932)	15.12 (385)	13.19 (336)	71.37 (1813)	869 (395)
CR 45-8-1	60	3	48.39 (1230)	19.00 (483)	14.90 (379)	79.18 (2012)	15.12 (385)	13.19 (336)	74.52 (1893)	878 (399)

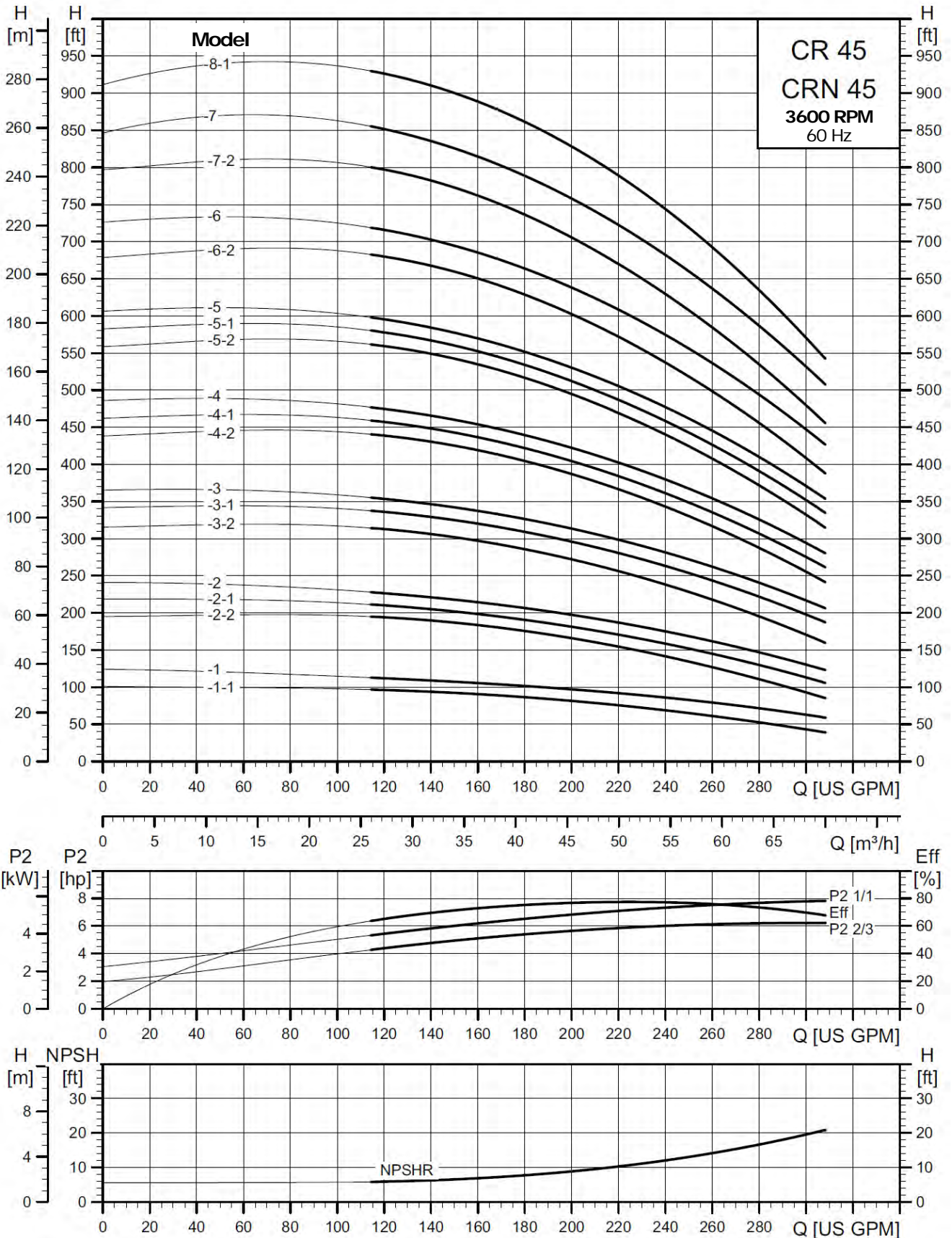
¹ Shipping weights shown are for the pumps with the slightly heavier TEFC motors.

CR Series pumps contain both cast iron and 304 stainless steel components within the pumping cavity. This series is generally used in both steam and hot water heating systems, and other general HVAC pumping applications. **Operation temperature** (with standard seal HBQE) from 32 to 248° F; **Operating pressure** to 125 psi.

QUOTE REQUEST for a Replacement CR Pump

Grundfos CR-45 and CRN-45 Pump Curves

CR, CRN 45

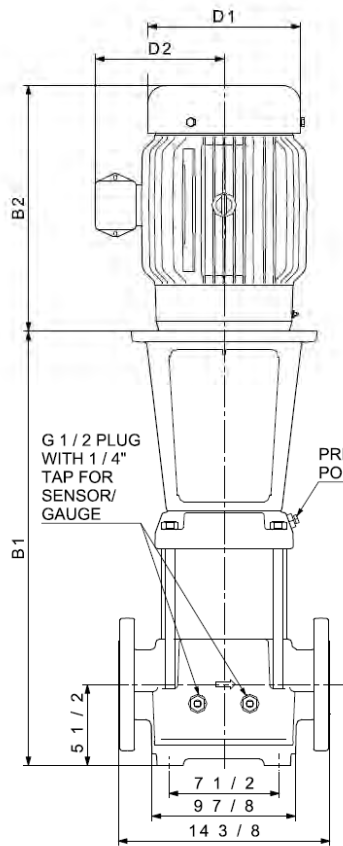


Grundfos CR-64 and CRN-64 Ratings/Dimensions

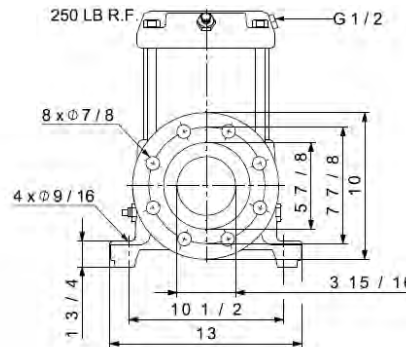
CR 64 Pump connection dimensions the same for the CRN-64 models.



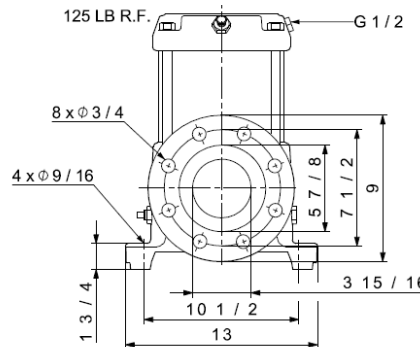
ANSI 125 Flanged Pump
4" suction and discharge



Stages 4-5, 4.0" ANSI 250 lbs.



Stages 1-3, 4.0" ANSI 125 lbs.



Pump type	HP P2 [Hp]	Phase Ph.	ANSI dimensions [inch (mm)]								
			B1	TEFC—Totally Enclosed, Fan-Cooled Motor			ODP			Ship. wt. ¹⁾ [lbs (kg)]	
				D1	D2	B1+B2	D1	D2	B1+B2		
CR 64-1-1	10	1	22.09 (562)	10.23 (260)	10.30 (262)	38.16 (970)	ODP Motors available in 15 to 60 HP			268 (122)	
		3	22.09 (562)	10.24 (261)	6.26 (160)	36.82 (936)				252 (115)	
CR 64-1	15	3	26.42 (672)	12.36 (314)	8.00 (204)	44.96 (1142)	10.62 (270)	7.33 (187)	42.73 (1086)	348 (158)	
CR 64-2-2	20	3	29.69 (755)	12.36 (314)	8.00 (204)	48.23 (1226)	11.50 (293)	8.92 (227)	49.38 (1255)	363 (165)	
CR 64-2-1	20	3	29.69 (755)	12.36 (314)	8.00 (204)	48.23 (1226)	11.50 (293)	8.92 (227)	49.38 (1255)	363 (165)	
CR 64-2	25	3	29.69 (755)	12.36 (314)	8.00 (204)	52.08 (1323)	11.50 (293)	8.94 (228)	50.50 (1283)	355 (162)	
CR 64-3-2	30	3	32.91 (836)	12.36 (314)	8.00 (204)	55.30 (1405)	11.50 (293)	8.94 (228)	54.72 (1390)	430 (196)	
CR 64-3-1	40	3	32.91 (836)	15.32 (390)	13.11 (333)	56.10 (1425)	13.25 (337)	12.21 (311)	56.16 (1427)	624 (284)	
CR 64-3	40	3	32.91 (836)	15.32 (390)	13.11 (333)	56.10 (1425)	13.25 (337)	12.21 (311)	56.16 (1427)	624 (284)	
CR 64-4-2	40	3	36.18 (919)	15.32 (390)	13.11 (333)	59.37 (1508)	13.25 (337)	12.21 (311)	59.43 (1510)	624 (284)	
CR 64-4-1	50	3	36.18 (919)	16.88 (429)	14.12 (359)	63.99 (1626)	13.25 (337)	12.21 (311)	58.93 (1497)	676 (307)	
CR 64-4	50	3	36.18 (919)	16.88 (429)	14.12 (359)	63.99 (1626)	13.25 (337)	12.21 (311)	58.93 (1497)	676 (307)	
CR 64-5-2	60	3	39.41 (1002)	19.00 (483)	14.90 (379)	70.20 (1784)	15.12 (385)	13.19 (336)	65.54 (1665)	866 (393)	

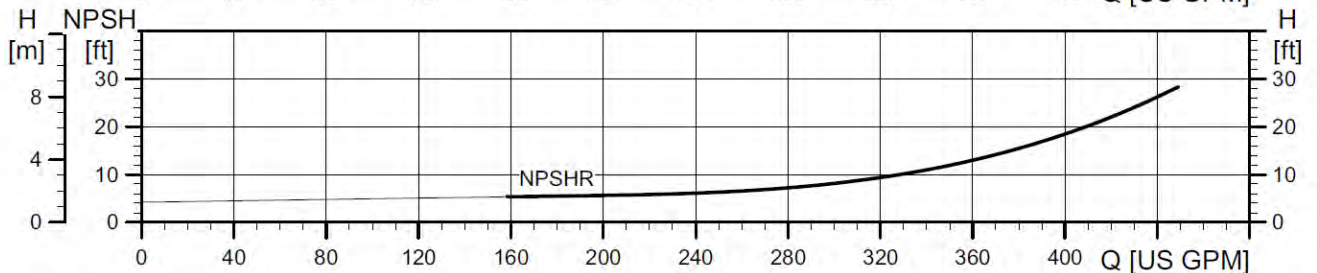
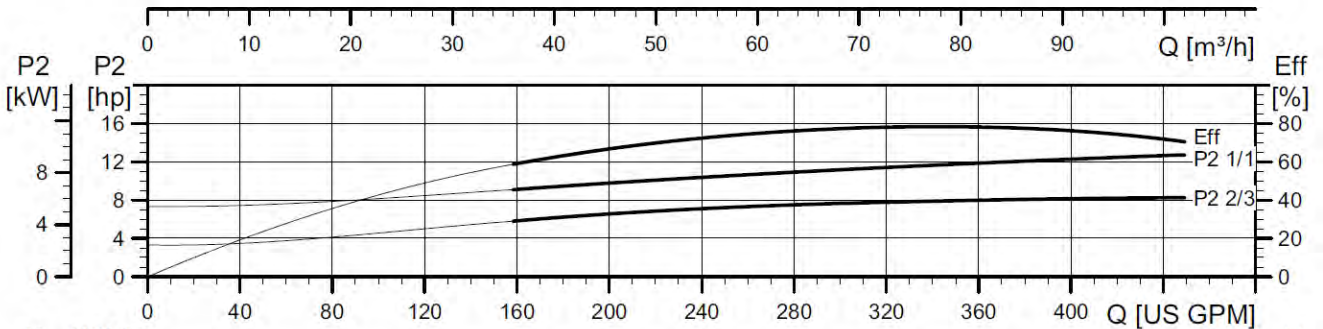
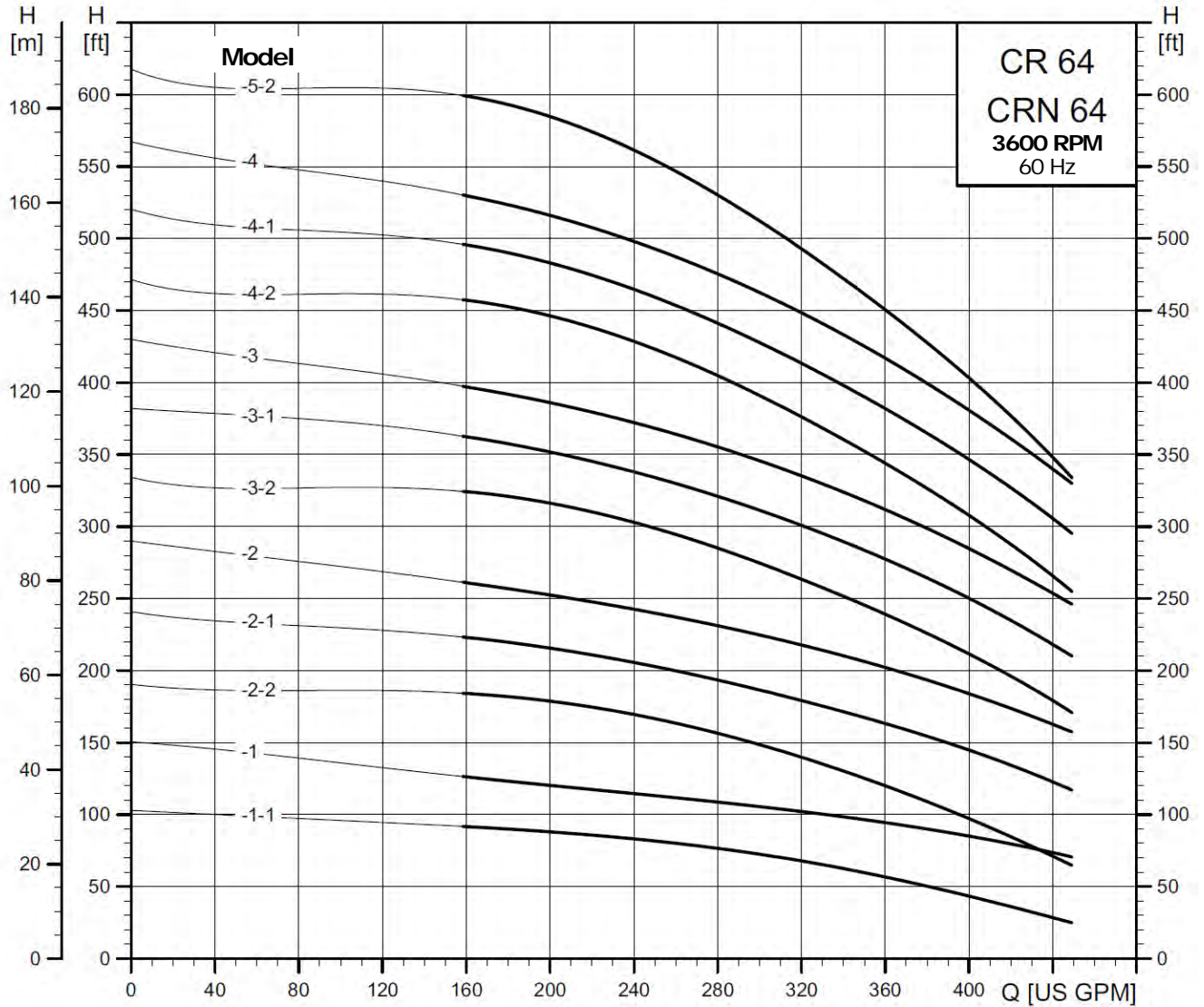
¹ Shipping weights shown are for the pumps with the slightly heavier TEFC motors.

CR Series pumps contain both cast iron and 304 stainless steel components within the pumping cavity. This series is generally used in both steam and hot water heating systems, and other general HVAC pumping applications. **Operation temperature** (with standard seal HBQE) from 32 to 248° F; **Operating pressure** to 125 psi.

QUOTE REQUEST for a Replacement CR Pump

Grundfos CR-64 and CRN-64 Pump Curves

CR, CRN 64

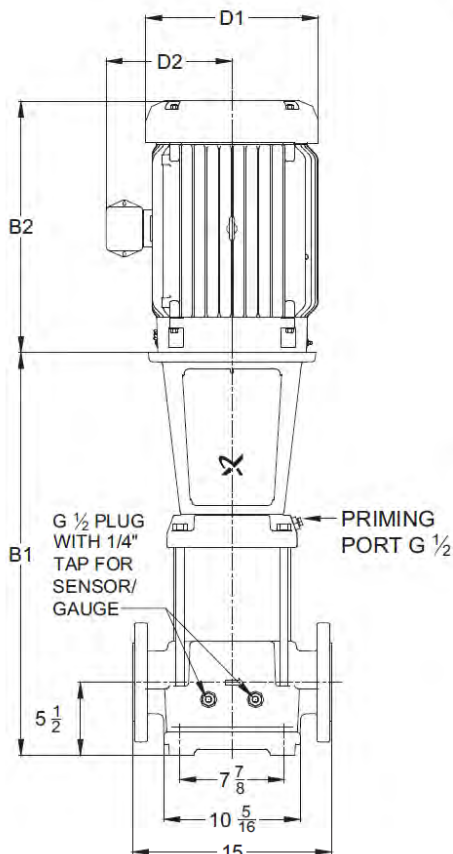


Grundfos CR-90 and CRN-90 Ratings/Dimensions

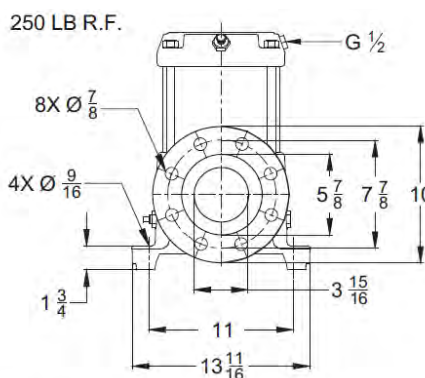
CR 90 Pump connection dimensions the same for the CRN-90 models.



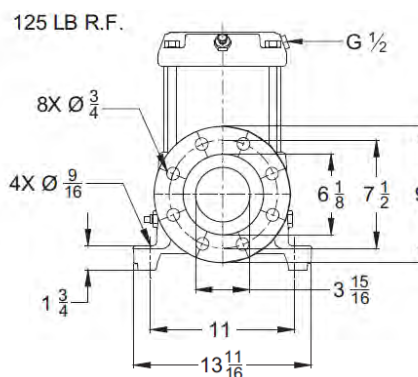
ANSI 125 Flanged Pump
4" suction and discharge



Stages 4-5, 4.0" ANSI 250 lbs.



Stages 1-3, 4.0" ANSI 125 lbs.



Pump type	HP P2 [Hp]	Phase Ph.	ANSI dimensions [inch (mm)]								Ship. wt. ¹⁾ [lbs (kg)]
			B1	TEFC—Totally Enclosed, Fan-Cooled Motor			ODP Motors				
				D1	D2	B1+B2	D1	D2	B1+B2		
CR 90-1-1	15	3	26.81 (681)	12.36 (314)	8.00 (204)	45.35 (1152)	10.62 (270)	7.33 (187)	43.12 (1096)	358 (163)	
CR 90-1	20	3	26.81 (681)	12.36 (314)	8.00 (204)	45.35 (1152)	11.50 (293)	8.92 (227)	46.50 (1182)	363 (165)	
CR 90-2-2	25	3	30.43 (773)	12.36 (314)	8.00 (204)	52.82 (1342)	11.50 (293)	8.94 (228)	51.24 (1302)	367 (167)	
CR 90-2-1	30	3	30.43 (773)	12.36 (314)	8.00 (204)	52.82 (1342)	11.50 (293)	8.94 (228)	52.24 (1327)	432 (196)	
CR 90-2	40	3	30.43 (773)	15.32 (390)	13.11 (333)	53.62 (1362)	13.25 (337)	12.21 (311)	53.68 (1364)	625 (284)	
CR 90-3-2	40	3	34.06 (866)	15.32 (390)	13.11 (333)	57.25 (1455)	13.25 (337)	12.21 (311)	57.31 (1456)	636 (289)	
CR 90-3-1	50	3	34.06 (866)	16.88 (429)	14.12 (359)	61.87 (1572)	13.25 (337)	12.21 (311)	56.81 (1443)	667 (303)	
CR 90-3	50	3	34.06 (866)	16.88 (429)	14.12 (359)	61.87 (1572)	13.25 (337)	12.21 (311)	56.81 (1443)	667 (303)	
CR 90-4-2	60	3	37.68 (958)	19.00 (483)	14.90 (379)	68.47 (1740)	15.12 (385)	13.19 (336)	63.81 (1621)	869 (395)	
CR 90-4-1	60	3	37.68 (958)	19.00 (483)	14.90 (379)	68.47 (1740)	15.12 (385)	13.19 (336)	63.81 (1621)	869 (395)	

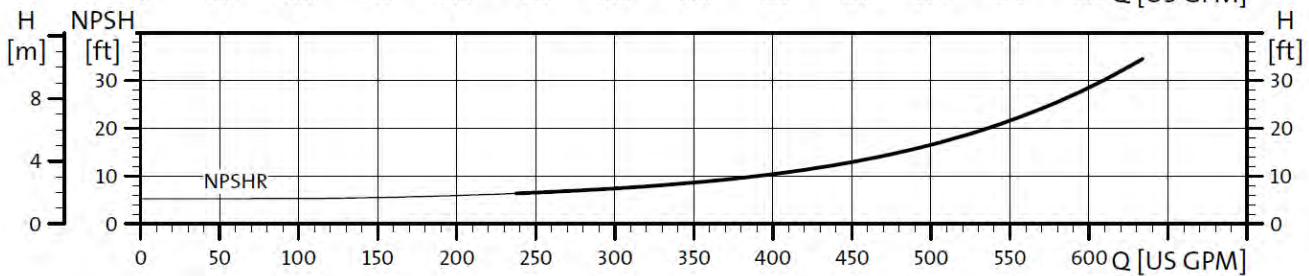
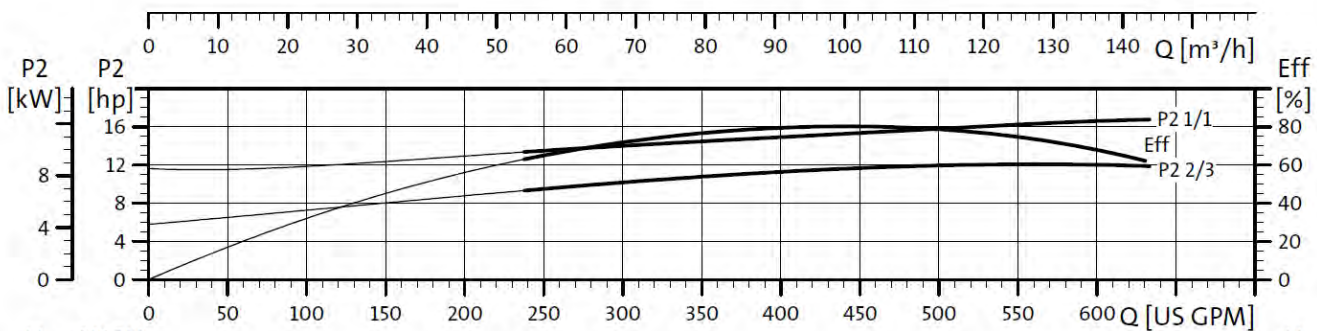
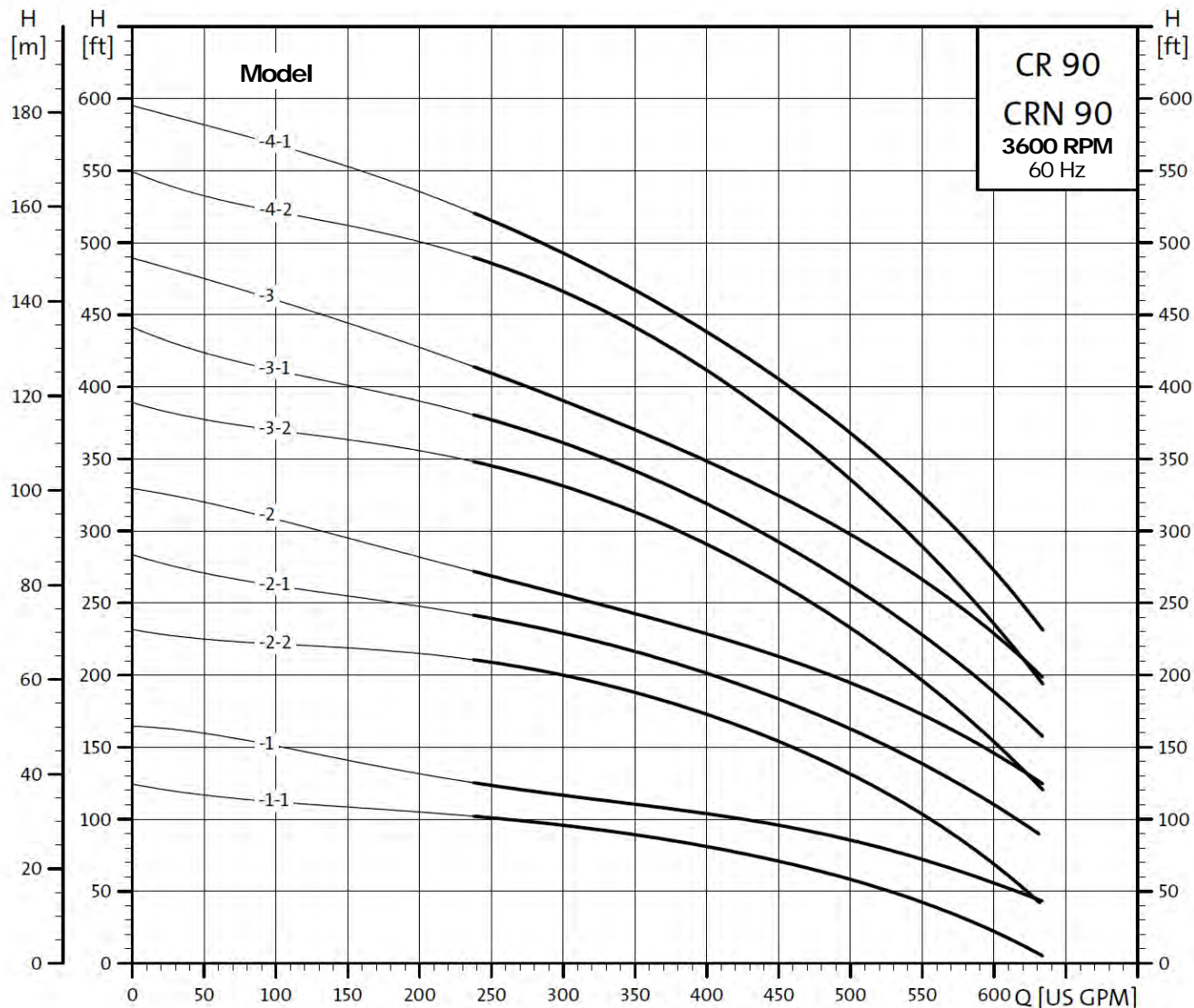
¹ Shipping weights shown are for the pumps with the slightly heavier TEFC motors.

CR Series pumps contain both cast iron and 304 stainless steel components within the pumping cavity. This series is generally used in both steam and hot water heating systems, and other general HVAC pumping applications. **Operation temperature** (with standard seal HBQE) from 32 to 248° F; **Operating pressure** to 125 psi.

QUOTE REQUEST for a Replacement CR Pump

Grundfos CR-90 and CRN-90 Pump Curves

CR, CRN 90

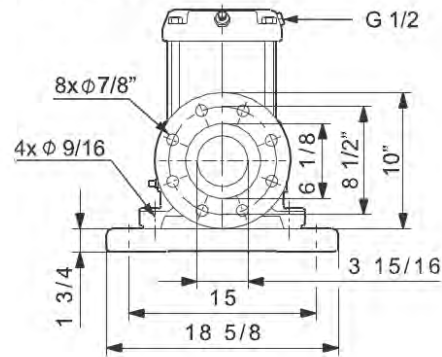


Grundfos CR-120 and CRN-120 Ratings/Dimensions

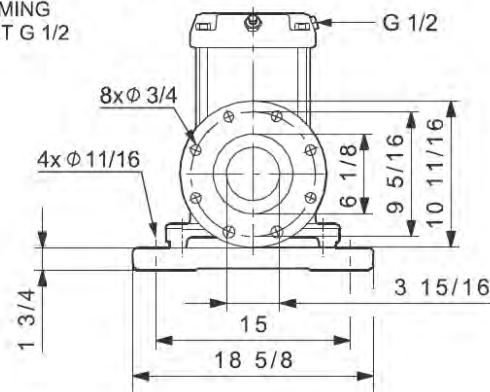
CRN 120 Pump connection dimensions the same for the CRN-120 models.



Stages 1-1 to 4-2, 5.0" ANSI 250 lbs.



Stages 4-1 to 5-1, 5.0" ANSI 125 lbs.



Pump type	HP P2 [Hp]	Phase Ph.	ANSI dimensions [inch (mm)]							Ship. wt. ¹⁾ [lbs (kg)]
			B1	TEFC—Totally Enclosed, Fan-Cooled Motor			ODP Motors			
				D1	D2	B1+B2	D1	D2	B1+B2	
CRN 120-1-1	20	3	32.83 (834)	12.36 (314)	8.00 (204)	51.37 (1305)	11.50 (293)	8.92 (227)	52.52 (1335)	439 (200)
CRN 120-1	25	3	32.83 (834)	12.36 (314)	8.00 (204)	55.22 (1403)	11.50 (293)	8.94 (228)	53.64 (1363)	431 (196)
CRN 120-2-2	40	3	38.98 (991)	15.32 (390)	13.11 (333)	62.17 (1580)	13.25 (337)	12.21 (311)	62.23 (1581)	711 (323)
CRN 120-2-1	40	3	38.98 (991)	15.32 (390)	13.11 (333)	62.17 (1580)	13.25 (337)	12.21 (311)	62.23 (1581)	711 (323)
CRN 120-2	50	3	38.98 (991)	16.88 (429)	14.12 (359)	66.79 (1697)	13.25 (337)	12.21 (311)	61.73 (1568)	742 (337)
CRN 120-3-2	60	3	45.08 (1146)	19.00 (483)	14.90 (379)	75.87 (1928)	15.12 (385)	13.19 (336)	71.21 (1809)	943 (428)
CRN 120-3-1	60	3	45.08 (1146)	19.00 (483)	14.90 (379)	75.87 (1928)	15.12 (385)	13.19 (336)	71.21 (1809)	943 (428)
CRN 120-3	75	3	45.08 (1146)	19.00 (483)	14.90 (379)	75.87 (1928)	15.18 (386)	13.19 (336)	71.21 (1809)	1052 (478)
CRN 120-4-2	75	3	51.69 (1313)	19.00 (483)	14.90 (379)	82.48 (2095)	15.18 (386)	13.19 (336)	77.82 (1977)	1206 (548)
CRN 120-4-1	100	3	51.69 (1313)	19.00 (483)	17.38 (442)	82.51 (2096)	15.12 (385)	13.19 (336)	79.07 (2009)	1475 (670)
CRN 120-4	100	3	51.69 (1313)	19.00 (483)	17.38 (442)	82.51 (2096)	15.12 (385)	13.19 (336)	79.07 (2009)	1475 (670)
CRN 120-5-2	100	3	57.80 (1469)	19.00 (483)	17.38 (442)	88.62 (2251)	15.12 (385)	13.19 (336)	85.18 (2164)	1497 (680)
CRN 120-5-1 ³⁾	125	3	57.80 (1469)	-	-	-	16.81 (427)	16.39 (417)	88.77 (2255)	1200 (545)

¹⁾ Weights are based on pump with TEFC motor (see price list for individual weights).

²⁾ This is a 5" loose flange ring. When using a 5" mating flange, the gasket contact surface is reduced to approximately 0.25". A 4" loose flange ring is available for 4" pipe work. This will provide a standard gasket contact surface. Also available is a 6" ANSI flange adapter manufactured to ANSI B16.5 specifications.

³⁾ CRN 120-5-1, 125 Hp, ODP motor only.

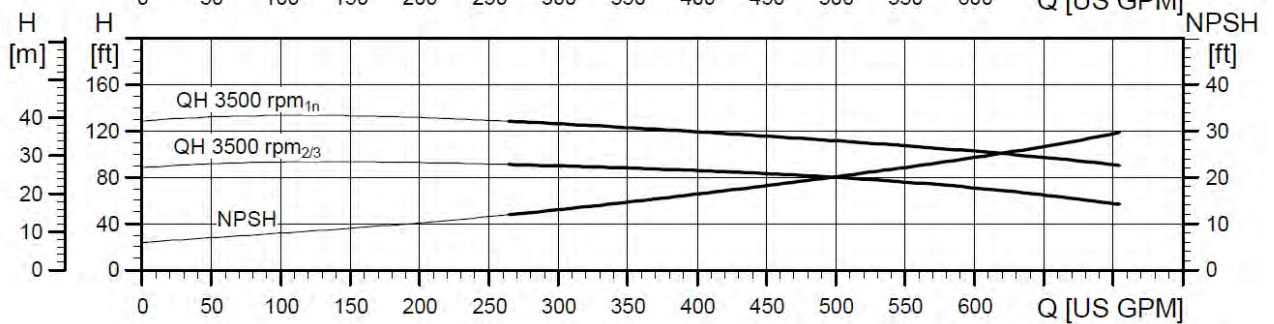
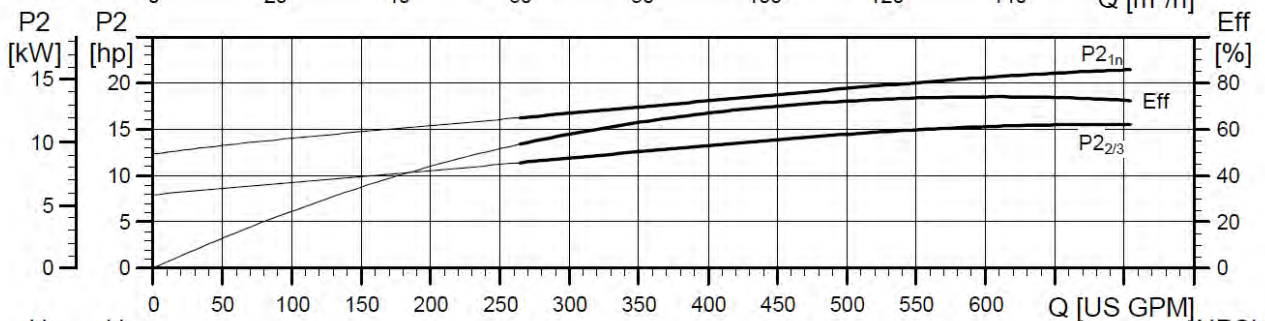
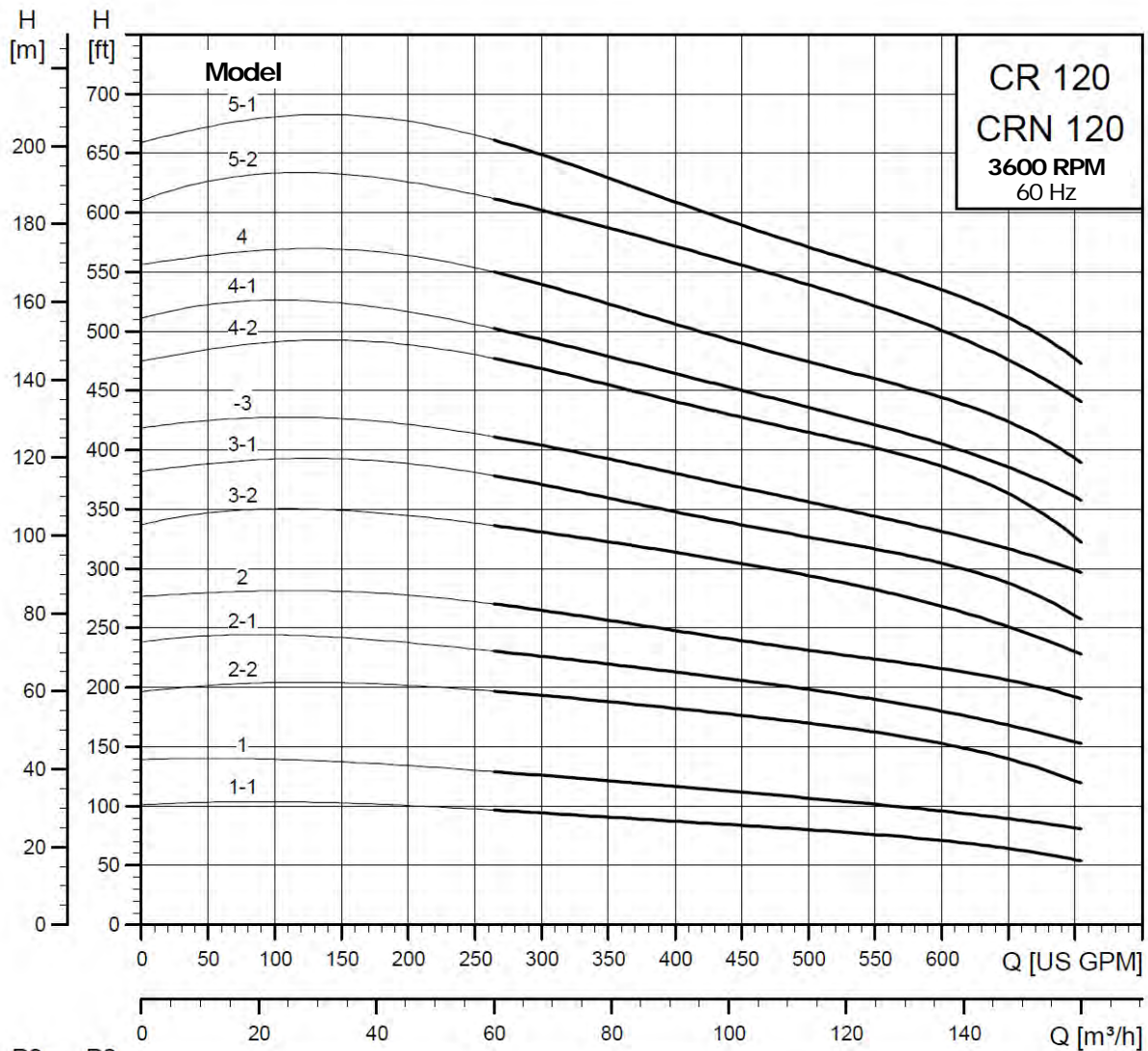
All dimensions in inches unless otherwise noted.

CR Series pumps contain both cast iron and 304 stainless steel components within the pumping cavity. This series is generally used in both steam and hot water heating systems, and other general HVAC pumping applications. **Operation temperature** (with standard seal HBQE) from 32 to 248° F; **Operating pressure** to 125 psi.

QUOTE REQUEST for a Replacement CR Pump

Grundfos CR-120 and CRN-120 Pump Curves

CR, CRN 120

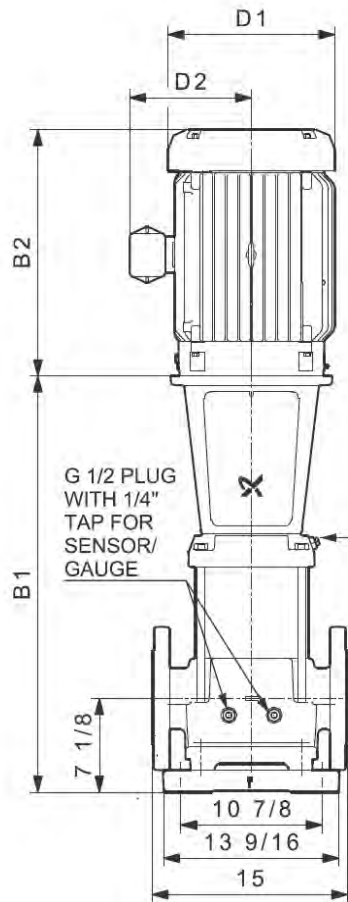


Grundfos CR-150 and CRN-150 Ratings/Dimensions

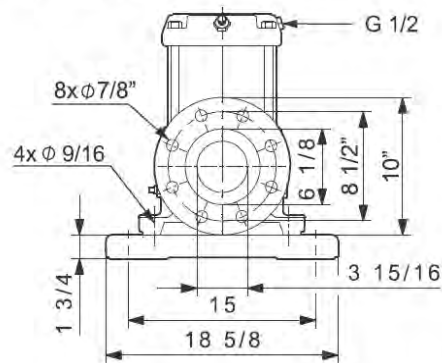
CR 150 Pump connection dimensions the same for the CRN-150 models.



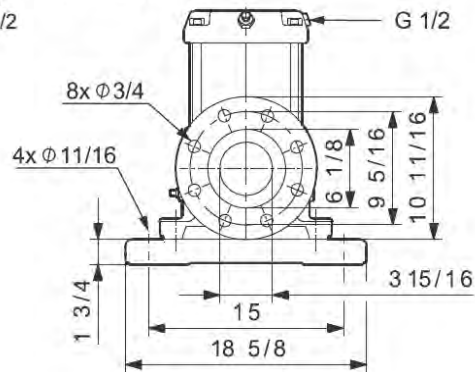
ANSI 125 Flanged Pump
5" suction and discharge



Stages 1 to 3, 5.0" ANSI 250 lbs.



Stages 4 to 5, 5.0" ANSI 125 lbs.



Pump type	HP P2 [Hp]	Phase Ph.	ANSI dimensions [inch (mm)]						Ship. wt. ¹⁾ [lbs (kg)]	
			B1	TEFC—Totally Enclosed, Fan-Cooled Motor			ODP Motors			
				D1	D2	B1+B2	D1	D2		B1+B2
CR 150-1-1	25	3	32.83 (834)	12.36 (314)	8.00 (204)	55.22 (1403)	11.50 (293)	8.94 (228)	53.64 (1363)	424 (193)
CR 150-1	30	3	32.83 (834)	12.36 (314)	8.00 (204)	55.22 (1403)	11.50 (293)	8.94 (228)	54.64 (1388)	490 (223)
CR 150-2-2	40	3	38.98 (991)	15.32 (390)	13.11 (333)	62.17 (1580)	13.25 (337)	12.21 (311)	62.23 (1581)	705 (320)
CR 150-2-1	50	3	38.98 (991)	16.88 (429)	14.12 (359)	66.79 (1697)	13.25 (337)	12.21 (311)	61.73 (1568)	735 (334)
CR 150-2	60	3	38.98 (991)	19.00 (483)	14.90 (379)	69.77 (1773)	15.12 (385)	13.19 (336)	65.11 (1654)	915 (416)
CR 150-3-2	75	3	45.55 (1157)	19.00 (483)	14.90 (379)	76.34 (1940)	15.18 (386)	13.19 (336)	71.68 (1821)	1178 (535)
CR 150-3-1	75	3	45.55 (1157)	19.00 (483)	14.90 (379)	76.34 (1940)	15.18 (386)	13.19 (336)	71.68 (1821)	1178 (535)
CR 150-3	100	3	45.55 (1157)	19.00 (483)	17.38 (442)	76.37 (1940)	15.12 (385)	13.19 (336)	72.93 (1853)	1215 (552)
CR 150-4-2	100	3	51.69 (1313)	19.00 (483)	17.38 (442)	82.51 (2096)	15.12 (385)	13.19 (336)	79.07 (2009)	1234 (560)
CR 150-4-1	100	3	51.69 (1313)	19.00 (483)	17.38 (442)	82.51 (2096)	15.12 (385)	13.19 (336)	79.07 (2009)	1234 (560)

¹⁾ Weights are based on pump with TEFC motor (see price list for individual weights).

²⁾ This is a 5" loose flange ring. When using a 5" mating flange, the gasket contact surface is reduced to approximately 0.25". A 4" loose flange ring is available for 4" pipe work. This will provide a standard gasket contact surface. Also available is a 6" ANSI flange adapter manufactured to ANSI B16.5 specifications.

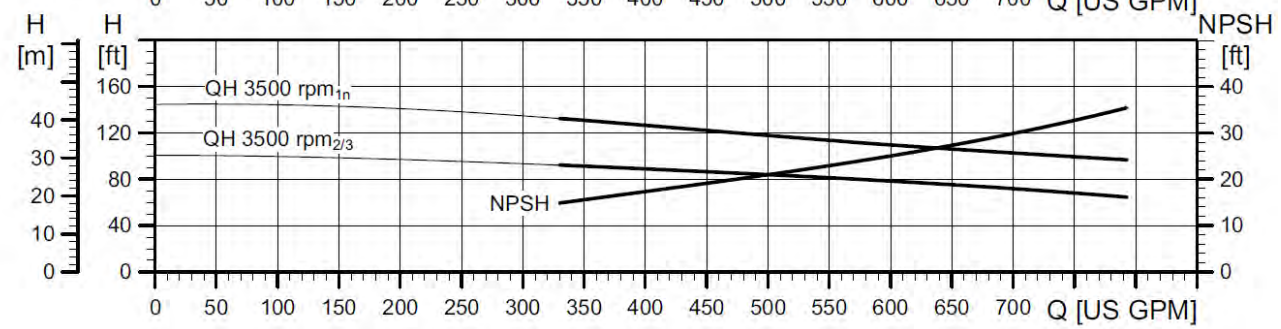
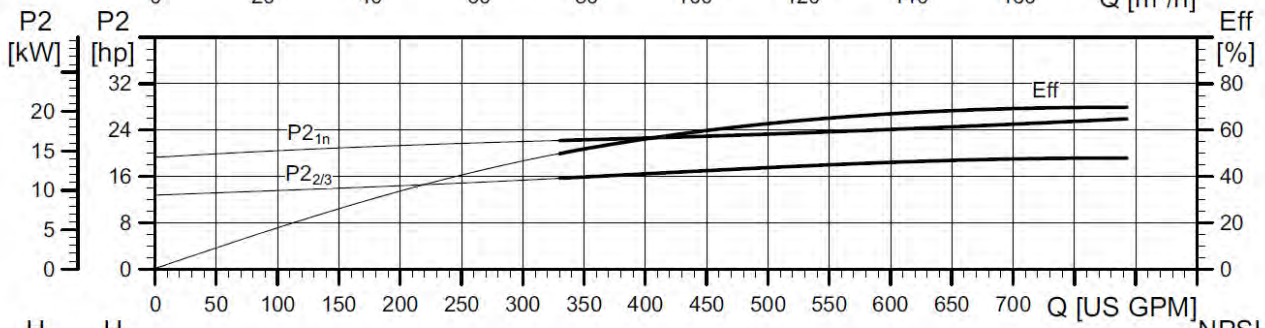
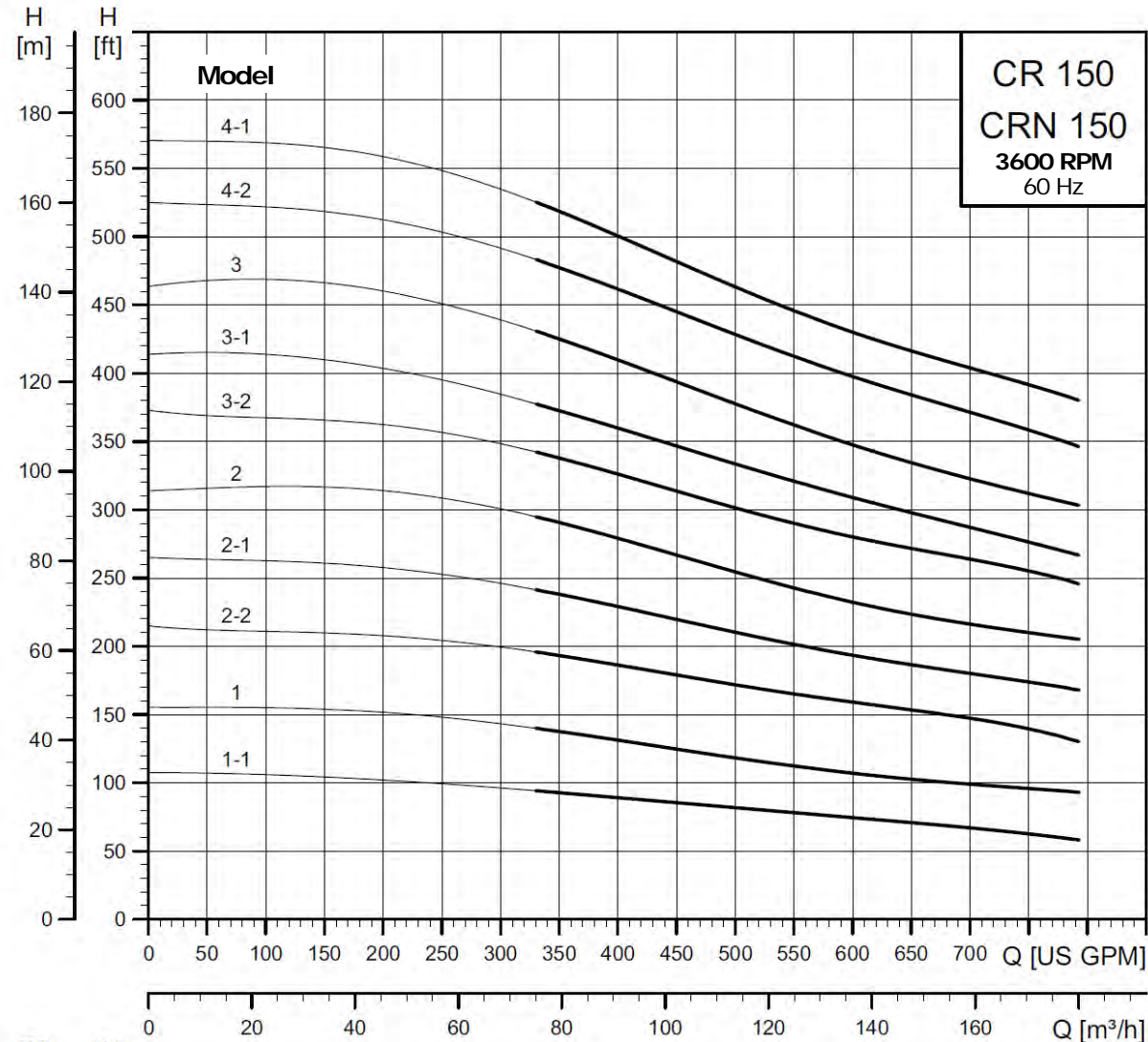
All dimensions in inches unless otherwise noted.

CR Series pumps contain both cast iron and 304 stainless steel components within the pumping cavity. This series is generally used in both steam and hot water heating systems, and other general HVAC pumping applications. **Operation temperature** (with standard seal HBQE) from 32 to 248° F; **Operating pressure** to 125 psi.

QUOTE REQUEST for a Replacement CR Pump

Grundfos CR-150 and CRN-150 Pump Curves

CR, CRN 150



Replacement Motors for Grundfos CR Series Pumps

Baldor motor

TEFC Motors
Totally Enclosed, Fan-Cooled

Grundfos ML motors



TM02 7696 3803



Gr7848sh



GR 7845



TM04 2512 2708

HP	Phase	Frame	Service Factor	Voltage	Motor Efficiency %	Insul. class	KVA code	Full load current [A]	Service factor current [A]	Starting current [A]	Motor type
1/3	1	56C	1.35	115/230	55	B	K	6.0/3.0	7.6/3.8	28/14	Baldor
	3	56C	1.35	208-230/460	78.5	F	L	1.12-1.1/0.55	1.5-1.45/0.75	7.1-7.7/3.9	ML
1/2	1	56C	1.6	115/230	62	B	K	7.4/3.7	9.8/4.9	39/19.5	Baldor
	3	56C	1.25	208-230/460	78.5	F	K	1.64-1.55/0.78	2.0-1.9/0.95	9.7-10.1/5.1	ML
3/4	1	56C	1.25	115/230	66	B	K	9.6/4.8	11.4/5.7	56/28	Baldor
	3	56C	1.25	208-230/460	79	F	K	2.4-2.3/1.2	2.9-2.75/1.4	14.2-15/7.8	ML
1	1	56C	1.25	115/230	66	B	K	12/6.0	14.4/7.2	77/38.5	Baldor
	3	56C	1.25	208-230/460	80	F	J	3.25-3.35/1.68	4.0-3.9/1.95	19.2-21.8/10.9	ML
1 1/2	1	56C	1.3	115/208-230	71	B	K	17/9.5-8.6	20.4/11.3-10.2	106/58.6-53	Baldor
	3	56C	1.15	208-230/460	84	F	M	4.7-4.6/2.3	5.2-5.1/2.55	33.8-36.8/18.4	ML
2	1	56C	1.15	115/208-230	74	F	K	23/12.7-11.5	25.4/14.0-12.7	156/86-78	Baldor
	3	56C	1.15	208-230/460	85.5	F	G	5.7-5.4/2.7	6.55-6.1/3.05	46.2-48.6/24.3	ML
3	1	182TC	1.15	115/208-230	75	F	H	29/16-14.5	31.8/18-15.9	170/94-85	Baldor
	3	182TC	1.15	208-230/460	86.5	F	M	8.35-7.50/3.75	9.10-8.15/4.10	86.8-78.0/39.0	ML
5	1	213TCZ	1.15	208-230	80	F	J	24-22	27-25	188-170	Baldor
	3	182TC	1.15	208-230/460	88.5	F	L	14.1-13.1/7.29	16.2-15.0/8.4	207-193/107	ML
7 1/2	1	213TC	1.15	208-230	82	F	F	33.8-31	38.5-35.5	244-220	Baldor
	3	213TC	1.15	208-230/460	89.5	F	N	19.5-18.1/9.09	22.4-20.8/10.4	289-267/135	ML
10	1	213TC	1.15	230	85.5	F	F	40	46	284	Baldor
	3	215TC	1.15	208-230/460	90.2	F	K	26.5-24.6/12.4	29.0-27.0/13.6	261-243/123	ML
15	3	254TC	1.15	208-230/460	91	F	J	37.5-34/17	41.0-37.5/18.6	369-338/168	ML
20	3	254TC	1.15	208-230/460	91	F	K	50.5-46/23	55.5-50.5/25.5	450-410/207	ML
25	3	284TSC	1.15	230/460	91.7	F	J	62.0-56/28	68.0-61.5/31.0	510-462/233	ML
30	3	286TSC	1.15	230/460	91.7	F	H	74.0-67.0/33.5	81.5-73.5/37.0	595-537/271	ML
40	3	286TSC	1.15	230/460	91.7	F	G	88/44	102/51	614/307	Baldor
50	3	326TSC	1.15	230/460	93	F	G	110/55	128/64	746/393	Baldor
60	3	364TSC	1.15	230/460	93	F	G	134/67	154/77	918/459	Baldor
75	3	365TSC	1.15	230/460	93	F	G	166/83	188/94	1162/581	Baldor
100	3	405TSC	1.15	230/460	93.6	F	G	216/108	246/123	1422/711	Baldor

15	3	254TCZ	1.15	208-230/460	89.5	F	H	37-35/17.5	40-39.4/19.7	225-248/124	
20	3	254TC	1.15	230/460	90.2	B	G	48/24	55/27.5	306/153	
25	3	284TSCZ	1.15	208-230/460	91	B	G	64-59/29.5	74-67/33.5	335-374/187	
30	3	284TSC	1.15	230/460	91	F	H	70/35	80/40	480/240	
40	3	286TSCZ	1.15	230/460	91.7	F	F	94/47	108/54	542/271	
50	3	324TSCZ	1.15	230/460	92.4	F	G	116/58	134/67	706/353	
60	3	324TSCZ	1.15	230/460	93	B	G	132/66	152/76	844/422	
75	3	364TSCZ	1.15	230/460	93	F	G	168/84	192/96	1110/555	
100	3	365TSCZ	1.15	230/460	93	F	G	226/113	260/130	1380/690	
125	3	405TSCZ	1.15	460	93.6	B	G	140	171	897	

ODP Motors

Open Drip-Proof Constant Speed

Baldor Motor ratings shown.

Customer Form: Request for Quote

To Receive a Price Quote on CR Pumps or Repair Parts

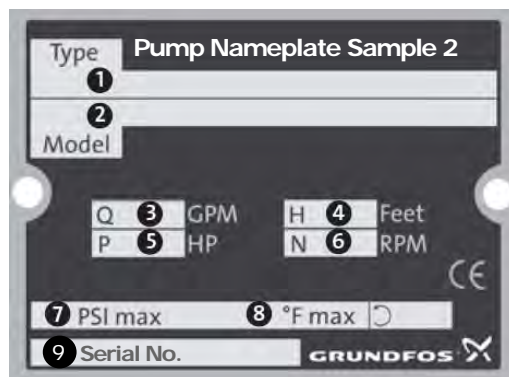
Record ALL the information posted to the pump nameplate.

Call, fax or email the information to State Supply.

Phn: **800.772.2099** Fax: **651.774.7156**

Email: info@statesupply.com

Pump Nameplate Sample 1



Item No.	Please provide the following information from your Grundfos Pump's Nameplate	
1	Type Designation	
2	Model, Material No., Production Code	
3	Gallons per Minute	
4	Head Pressure in Feet	
5	Pump Horsepower	
6	Rated RPM	
7	Maximum PSI	
8	Maximum Fluid Temperature	
9	Pump Serial No. (when shown)	
Your Name:		Your Cell Phone No:
Business Name:		Your Email:
Your Office Phone No:		Your Fax No:
¹ Your Instructions:		

¹Your Instructions:

In the "Your Instructions" box, please indicate if you are looking to repair or replace your existing pump, and any other information concerning the pump's application, operation or troubleshooting questions.

- **If replacing the pump**, your completed form indicating all the information posted to the pump's nameplate should be all we need to issue a price quote with estimated factory lead time.
- **If repairing the pump**, we shall send you an installation and repair parts manual for the pump indicated. You may then review the document to determine which pump repair parts you need. Of course, please call us with any questions or concerns for determining the correct replacement parts.